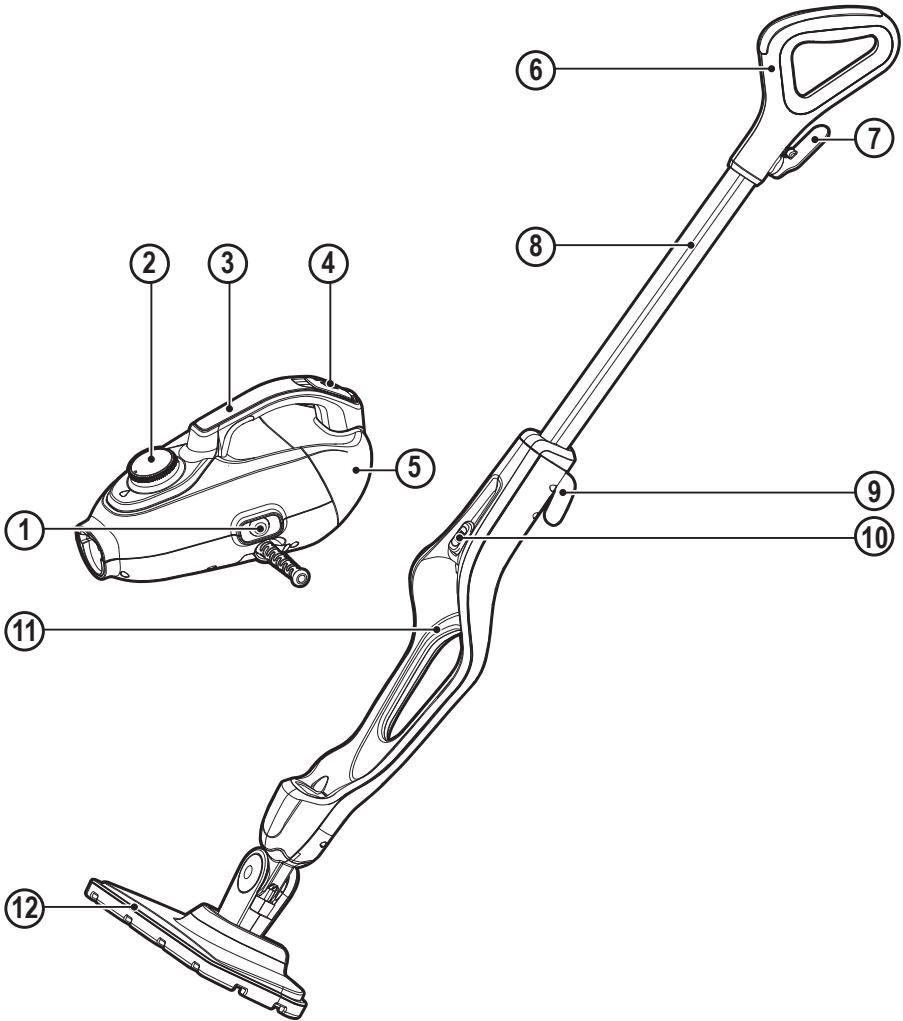
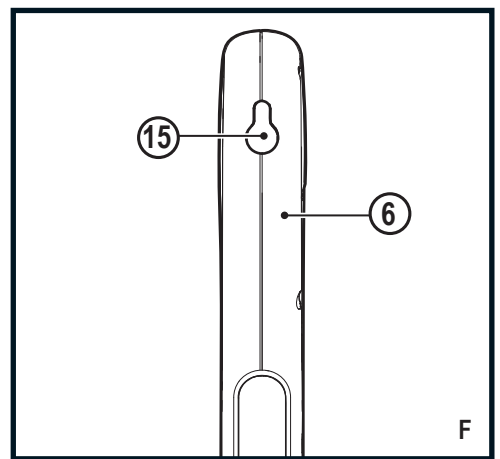
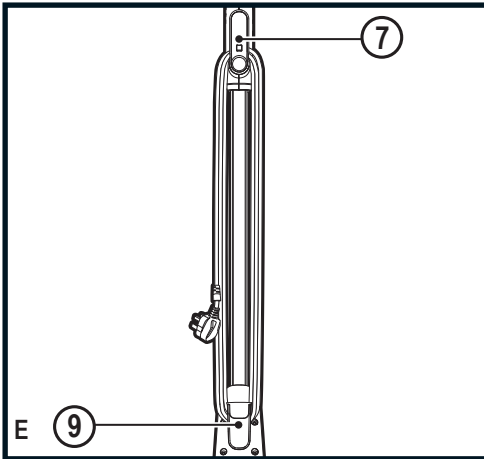
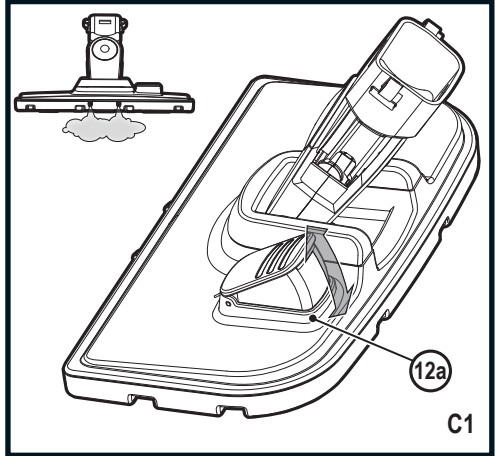
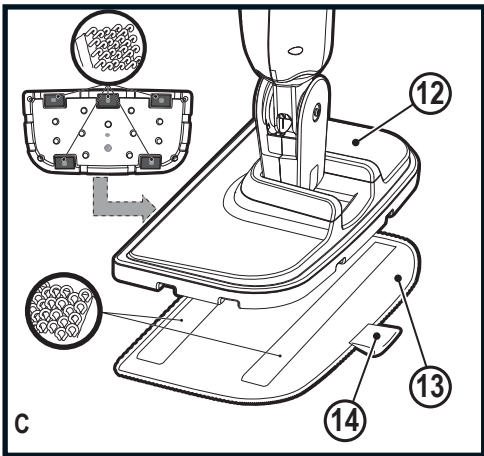
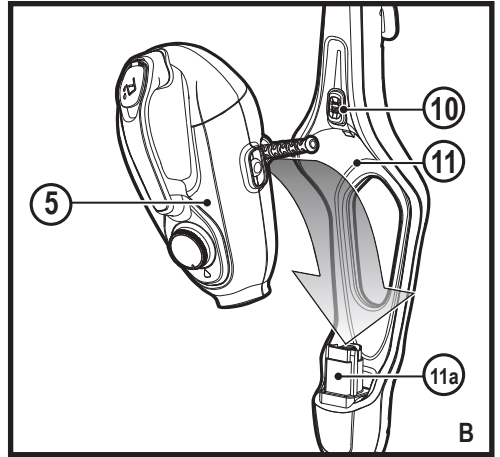
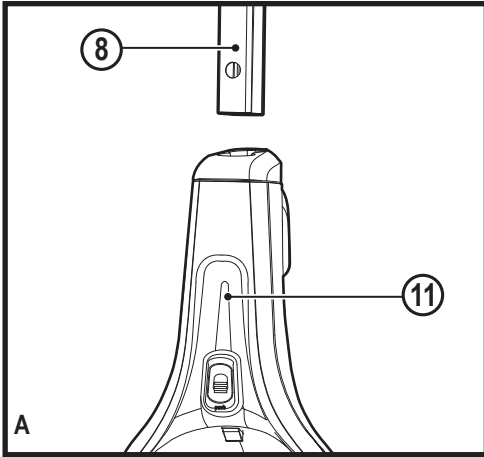
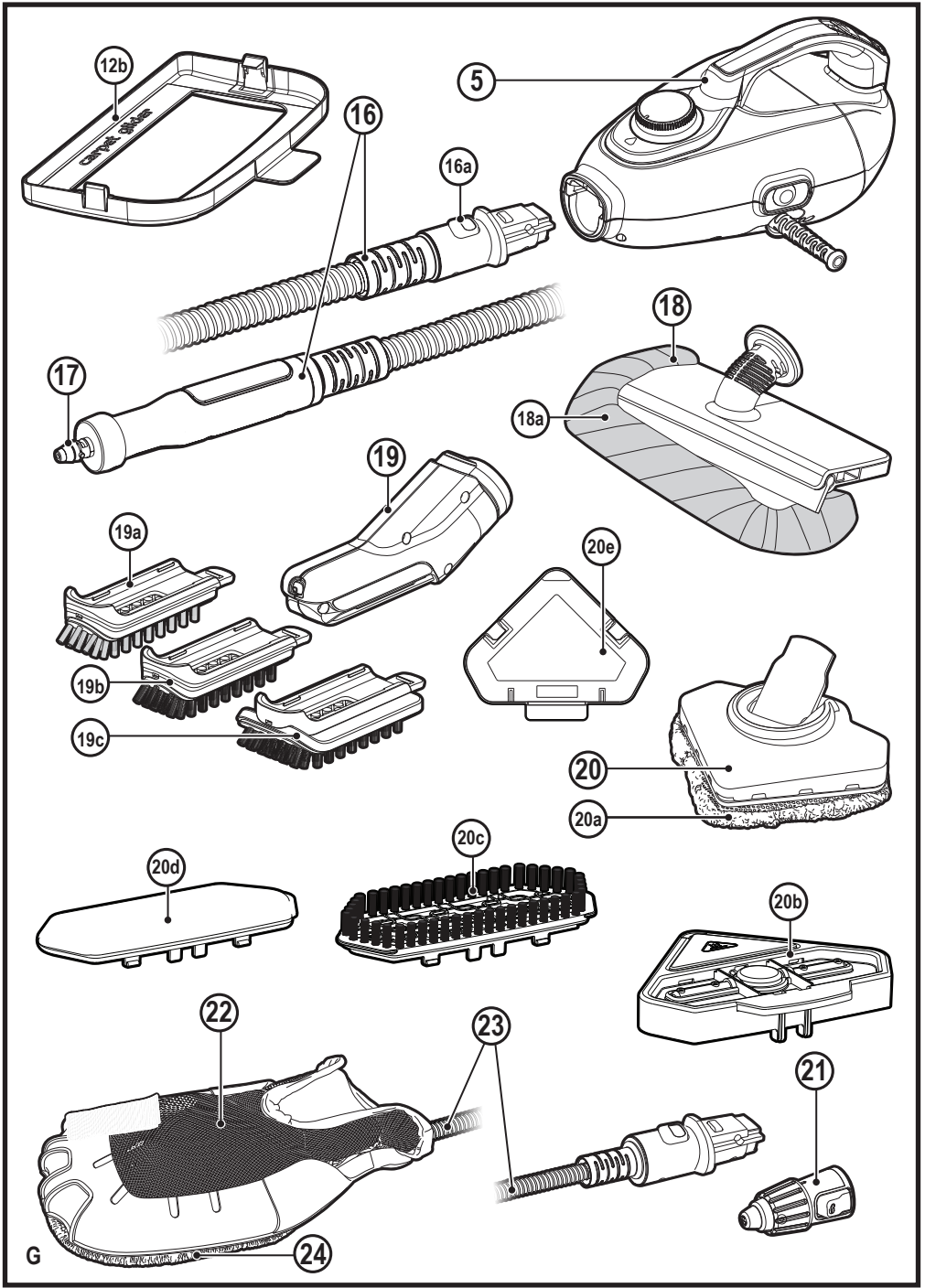




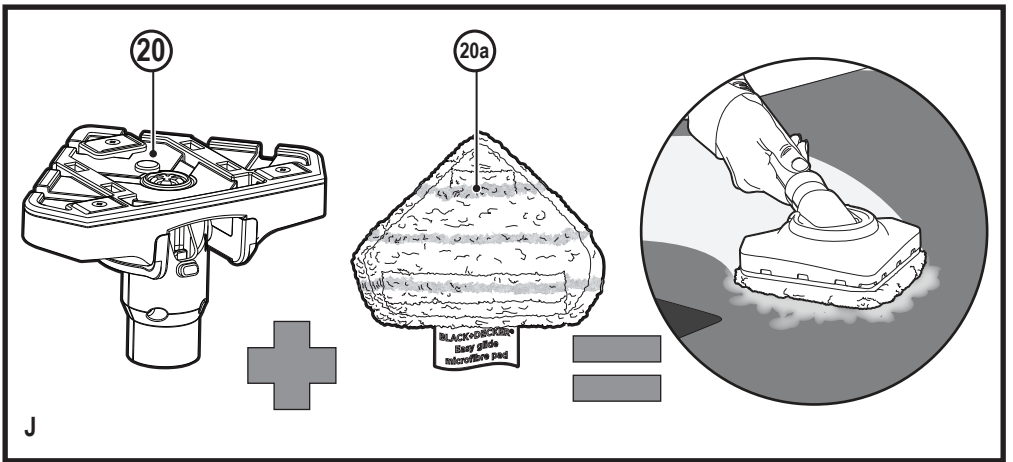
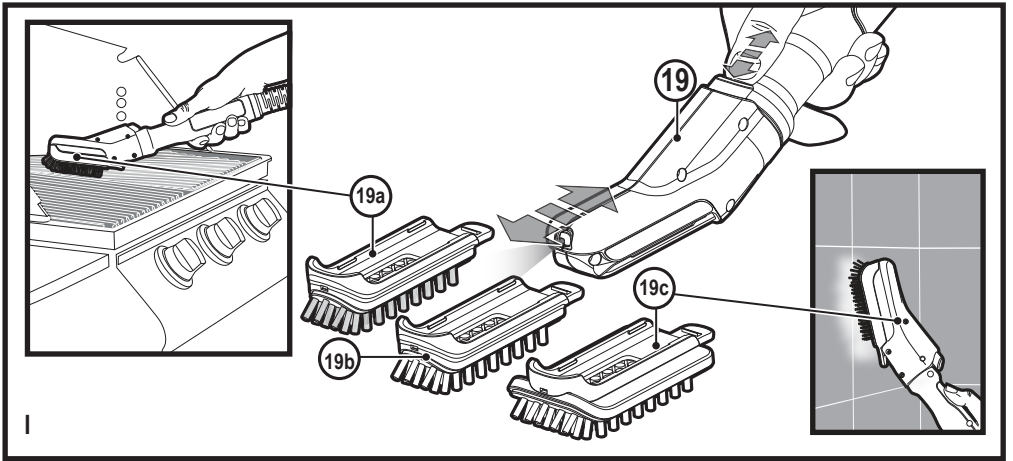
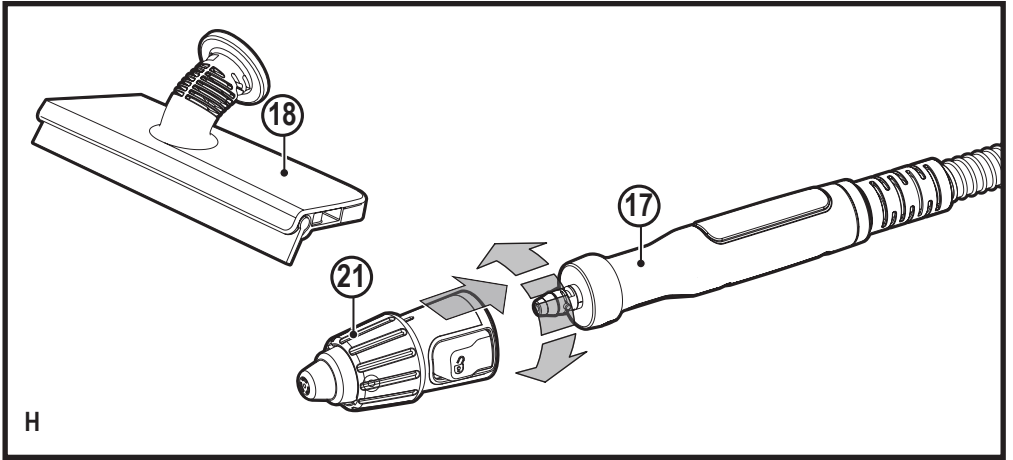
www.blackanddecker.com

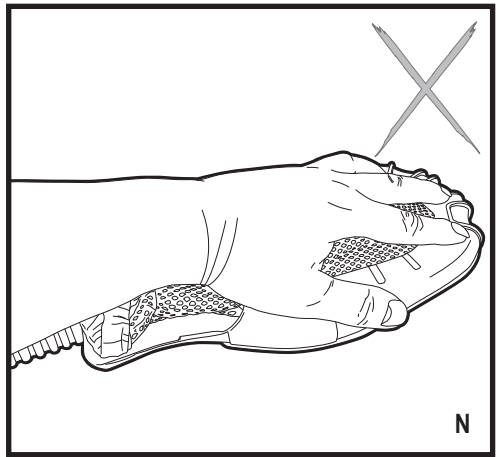
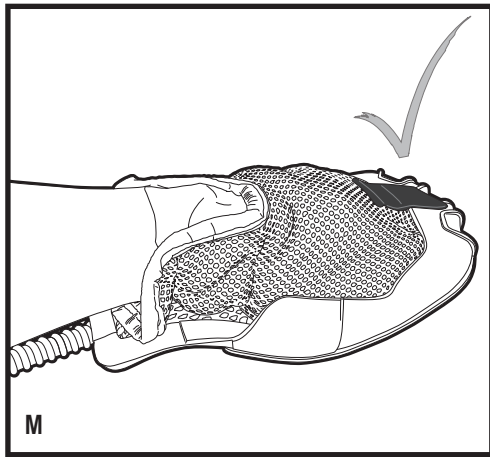
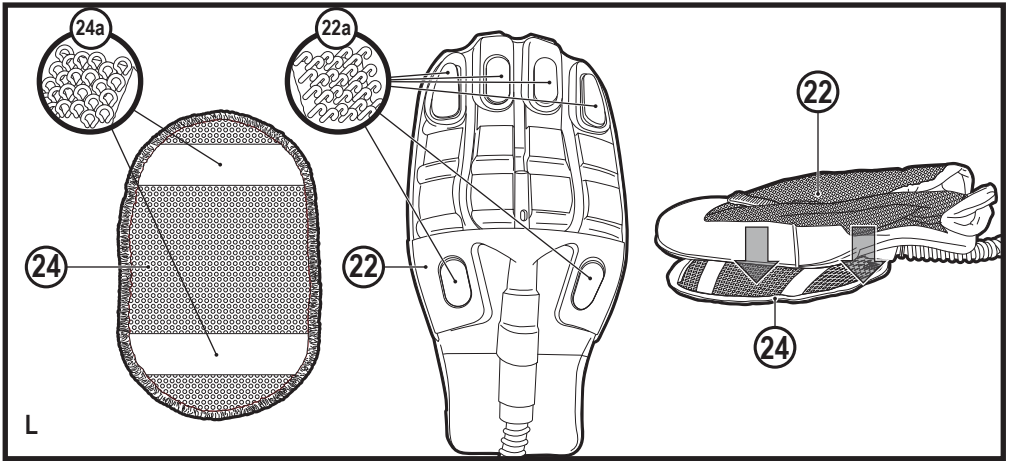
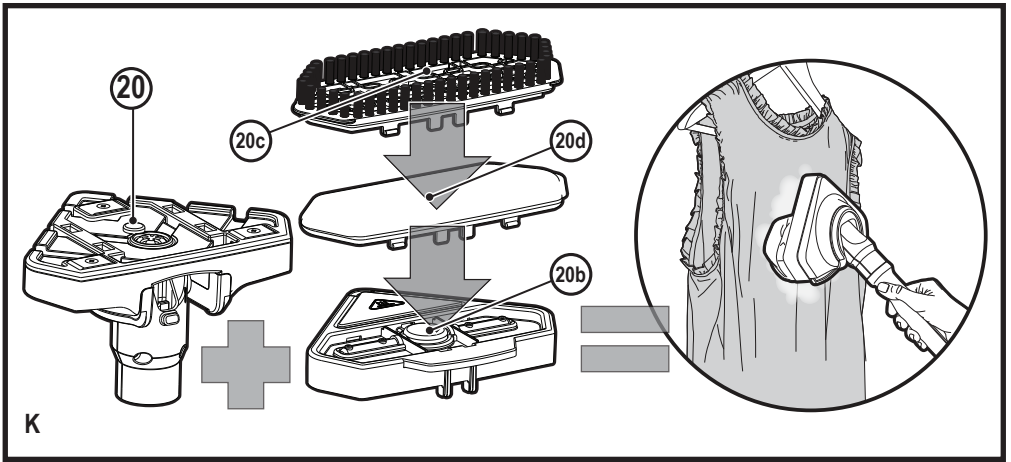


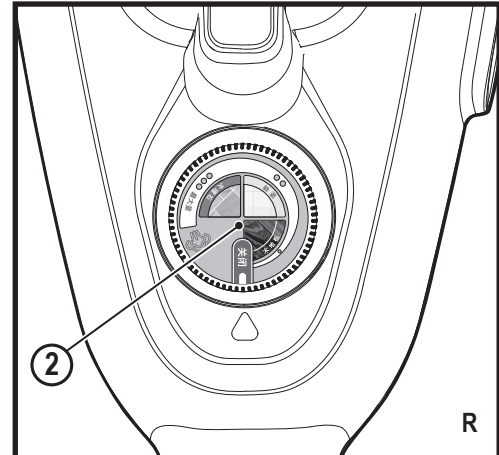
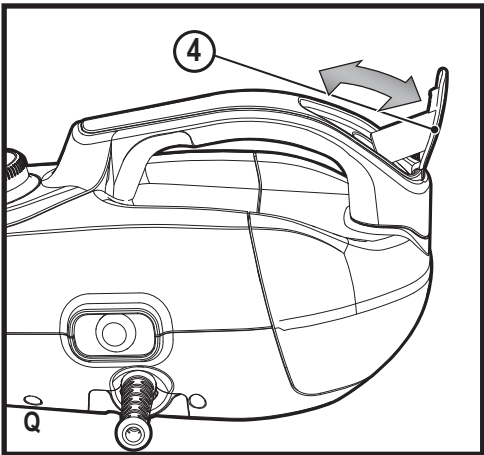
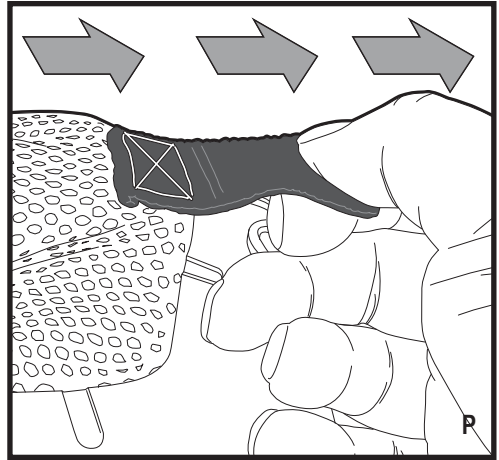
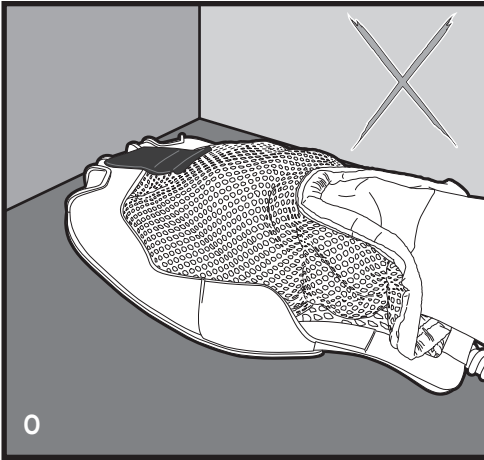




G







FSMH13151SM

STEAM MOP

Technical Data

		FSMH13151SM
Voltage	V_{ac}	220-240
Power	W	1300
Tank Capacity	ml	500
Weight	kg	2.8

Intended use

Your BLACK+DECKER™ FSMH13151SM steam mop has been designed for sanitising and cleaning sealed hardwood, sealed laminate, linoleum, vinyl, ceramic tile, stone and marble floors. This appliance is intended for indoor household use only.

Safety Instructions



Warning! Read all Safety, Maintenance, Service' manual carefully before operating this appliance. Read all of this manual carefully before operating this appliance.

Labels on appliance

The following pictograms along with the date code are shown on the appliance.



CAUTION Hot Steam



Water dripping when used upside down



Steam escapes from all sides



Do not leave unsupervised with young children



Hand wash only

Features

This appliance includes some or all of the following features.

1. On/off switch
2. Smart select dial
3. Hand held steam unit handle
4. Filler cap
5. Hand held steam unit
6. Hand grip
7. Top cable tidy hook
8. Main handle
9. Bottom cable tidy hook
10. Hand held steam unit release button
11. Main body

12. Floor cleaning head
- 12a. Steam burst floor cleaning head
- 12b. Carpet glider
(for use on carpets)
13. Floor cleaning pad
14. Floor cleaning pad release tab
15. Hanging Bracket
16. Steam hose
- 16a. Hose release button
17. Steam nozzle
18. Large squeegee accessory
(for use on shower screens / glass / mirrors / clothing / upholstery)
- 18a. Large squeegee sock
19. Steam burst brush unit
- 19a. Steam burst wire brush
(for use on BBQ / ovens)
- 19b. Steam burst brush
(for use on BBQ / ovens / oven hobs / taps / grout)
- 19c. Steam burst wide brush
(for use on larger work surfaces)
20. Delta head
(for use on clothing / upholstery / larger work surfaces)
- 20a. Flat surface cleaning pad
- 20b. Garment steaming interface
(for use on clothing / upholstery)
- 20c. Garment steaming brush
(for use on clothing / upholstery)
- 20d. Garment steaming pad
(for use on clothing / upholstery)
- 20e. Carpet glider
21. Adjustable nozzle
22. SteaMitt™
23. SteaMitt™ hose
24. SteaMitt™ cleaning pad

Assembly



Warning! Before attempting any of the following instructions, make sure that the appliance is switched off and unplugged and the appliance is cold and does not contain any water.

Attaching the handle (Fig. A)

- ◆ Slide the bottom end of the handle (8) into the top end of the steam mop body (11) until it clicks into place.

Attaching the hand held steam cleaner (Fig. B)

- ◆ Holding the back of the steam mop body (11) push the hand held steam cleaner (5) firmly into the steam mop body (11) making sure it sits correctly over the interface (11a) and clicks securely into place.

Removing the hand held steam cleaner (Fig. B)

- ◆ Push the release button (10) on the main body (11) and lift the hand held steam cleaner (5) off the interface (11a) and away from the main body (11).

Attaching a cleaning pad (Fig. C)

Replacement cleaning pads are available from your BLACK+DECKER dealer.

- ◆ Place a cleaning pad (13) on the floor with the velcro 'loop' side facing up.
- ◆ Lightly press the steam mop down onto the cleaning pad (13).

Note: This unit may be supplied with a standard floor cleaning head (12) or a steam burst cleaning head (12a). In either case use these instructions to fit a cleaning pad.

Caution! Never leave the steam mop in one spot on any surface for any period of time. Always place the steam mop with the handle (8) supported in the upright position when stationary and make sure the steam mop is turned off when not in use.

Removing a cleaning pad

Caution! Always wear suitable shoes when changing the cleaning pad on your steam mop.

Do not wear slippers or open toed footwear.

- ◆ Return the handle (8) to the upright position and turn the steam mop 'OFF'.
- ◆ Wait until the steam mop cools down (approximately 5 minutes).
- ◆ Lift the steam mop away from the cleaning pad freeing it from the velcro fastening.

Caution! Never leave the steam mop in one spot on any surface for any period of time.

Always place the steam mop with the handle (8) supported in the upright position when stationary and make sure the steam mop is turned off when not in use.

Filling the water tank (Fig. Q)

Note! Fill the water tank with clean tap water (Do not use any additives or chemicals).

Note! In areas of hard water, the use of de-ionised water is recommended.

- ◆ Open the filler cap (4) by flipping it up.
- ◆ Fill the water tank with water (Do not use any additives or chemicals).

Warning! When filling, detach from main unit and maintain in a horizontal position.

Warning! Your water tank has a 0.5 litre capacity. Do not over fill the tank.

- ◆ Close the filler cap (4).

Note! Ensure the filler cap is firmly secured.

Attaching the carpet glider (12b) (For use on carpets only)

- ◆ Place the carpet glider (12b) on the floor.
- ◆ Attach a cleaning pad to the floor cleaning head (12)
- ◆ Lightly press the steam mop down onto the carpet glider (12b) until it clicks into place.

Caution! Never leave the steam mop in one spot on any surface for any period of time. Always place the steam mop with the handle (8) supported in the upright position when stationary and make sure the steam mop is turned off when not in use.

Removing the carpet glider

Caution! Always wear suitable shoes when changing the carpet glider on your steam mop. Do not wear slippers or open toed footwear.

- ◆ Return the handle (8) to the upright position and turn the steam mop 'OFF'.
- ◆ Wait until the steam mop cools down (approximately 5 minutes).
- ◆ Place the front of your shoe onto the carpet glider removal tab and press down firmly.
- ◆ Lift the steam mop up and off the carpet glider.

Caution! Never leave the steam mop in one spot on any surface for any period of time. Always place the steam mop with the handle (8) supported in the upright position when stationary and make sure the steam mop is turned off when not in use.

Attaching the hose and accessories to the hand held steam cleaner (Fig. G - O)

Warning! Inspect the seal between the connection point on the hand held steam cleaner (5) and the steam hose (16) before each use. If the seal malfunctions or is damaged, please contact your nearest authorised repair agent. Do not use the appliance.

Attaching the hose

- ◆ Press the steam hose release button (16a) on the steam hose (16).
- ◆ Connect the steam hose (16) to the hand held steam cleaner (5) and release the steam hose release button (16a) making sure it clicks into place.

Important! Ensure that the steam hose (16) is securely connected to the hand held steam cleaner (5). If steam escapes from the joint, the hose is incorrectly fitted. Switch off, allow the unit to cool then remove and refit the hose.

Attaching accessories (Fig H)

- ◆ Align the lugs on the steam nozzle (17) with the recesses on the accessory.

- ◆ Press the accessory onto the steam nozzle (17) and twist anti-clockwise until the accessory clicks into place.

Important! All accessories, apart from the SteaMitt™ (22) which has its own hose and connector (23), must be attached to the steam hose (16) for use.

Removing the hose and accessories

Warning! The steam hose (16), Steam nozzle (17) and accessories become hot during use. Allow the unit and all accessories to cool before attempting to remove.

Removing an accessory

- ◆ Twist the accessory clockwise then pull away from the hose (16).

Removing the hose

- ◆ Press the steam hose release button (16a) on the steam hose (16) and pull away from the hand held steam unit.

SteaMitt™

Your BLACK+DECKER™ SteaMitt™ has been designed for sanitising and cleaning tiles, work tops, kitchen surfaces and bathroom surfaces. This appliance is intended for indoor household use only.

Attaching the SteaMitt™ hose to the hand held steam unit

Warning! Inspect the seal on the steam nozzle and hose before each use. If the seal is missing or damaged then please contact your nearest authorised repair agent. **Do not use the appliance.** Inspect the seal on the SteaMitt™ and hose. If the seal is missing, damaged or any steam is escaping then please contact your nearest authorised repair agent. **Do not use the appliance.** Ensure there is no blockage or impedance in the SteaMitt™ hose or attachment hose. If any are detected then please contact your nearest authorised repair agent. **Do not use the appliance.**

Fitting a cleaning pad to the SteaMitt™ (Fig. L)

Warning! Ensure there is no blockage or impedance in the steam release vents. If any are detected then please contact your nearest authorised repair agent. **Do not use the appliance.**

- ◆ Fit the cleaning pad (24) to the SteaMitt™ (22) by attaching the 'loop' velcro strips (24a) on the upper side of the cleaning pad, to the 'hook' velcro pads (22a) on the underside of the SteaMitt™ (4). Press down firmly.

Warning! The SteaMitt™ should not be used without fitting a cleaning pad.

Note: The SteaMitt™ accommodates 4 types of cleaning pads of varying thickness. Scouring pad (for use on tough stains

and non delicate surfaces), Bathroom pad (for use on taps and other moulded bathroom surfaces), Standard pad (for use on all larger surfaces) and Polishing pad (for use on delicate surfaces).

⚠ **Warning!** Always use the SteaMitt™ as shown in figure M, with your hand inside the protective glove.

⚠ **Warning!** Never attempt to use the SteaMitt™ by gripping it externally as shown in figure N. This will result in scalding.

⚠ **Warning!** Avoid using the SteaMitt™ in tight corners as shown in figure O.

⚠ **Warning!** Should a problem occur during use, use the quick release tab to quickly remove the SteaMitt™ from your hand as shown in figure P.

⚠ **Warning!** Do not use the SteaMitt™ on cold glass, such as windows as damage may be caused by the sudden change in temperature.

⚠ **Warning!** Never point or direct the mitt at yourself or any other person.

Note: Variable steam dial is disconnected when the SteaMitt™ is fitted and subsequently the flow of steam is limited.

Use

Important! This unit will kill 99.9% of bacteria and germs when used in accordance with the instructions in this manual and with the micro fibre pads fitted and a continuous run time of 90 seconds.

Switching on and off

- ◆ To switch the appliance on, press the ON/Off switch (1). It takes approximately 15 seconds for the steam mop to heat up.
- ◆ To switch the appliance off, press the ON/Off switch (1).

Note: always have your hand inside the SteaMitt™ before you press the steam button.

Caution! Never leave the steam mop in one spot on any surface for any period of time.

Always place the steam mop with the handle (8) supported in the upright position when stationary and make sure the steam mop is turned off when not in use.

Caution! Always empty the steam mop after use.




Note! When first filled or after running dry, it can take up to 45 seconds for steam to be produced.

Smart select Technology (Fig. R)

This steam mop is fitted with an Smart select dial (2) which shows various cleaning applications. They are used to select

the correct operating mode for your particular cleaning operation.

Using Smart select, choose from one of the following applications by turning the Smart select dial (2) until the required setting is selected.

Setting	Mop	Hand held
	Wood/Laminate	High temperature steam for windows ●
	Stone/Marble	● ●
	Tiles/Vinyl	Low temperature steam for heavy grime ● ● ●

The steam mop will select the correct volume of steam required for your particular cleaning operation.

Note: Always check you are using the correct setting before using your steam mop.

Steam Burst (Fig. C1)

The floor head (12a) is equipped with a steam burst pedal to aid in the removal of stubborn marks and stains.

- ◆ During use, press the steam burst pedal to apply extra cleaning power.
- ◆ To revert back to normal setting press the pedal again.

Hints for optimum use

General

Caution: Never use the steam mop without first attaching a cleaning pad.

- ◆ Always vacuum or sweep the floor before using the steam mop.
- ◆ The easiest way to use the appliance is to tilt the handle to a 45° angle and clean slowly, covering a small area at a time.
- ◆ Use water only with no additives or chemicals with your steam mop. To remove stubborn stains from vinyl or linoleum floors, you can pre-treat with a mild detergent and some water before using the steam mop.

Steam Cleaning with the mop

- ◆ Fit hand held steam cleaner (5) to the steam mop body (11)
- ◆ Place a cleaning pad (13) on the floor with the velcro 'loop' side facing up.
- ◆ Lightly press the steam mop down onto the cleaning pad (13).
- ◆ Connect the steam mop to the mains.
- ◆ Press the ON/OFF button (1). It takes approximately 15

seconds for the steam mop to heat up.

- ◆ Turn the Smart select dial (2) until the required setting is reached. After a few seconds steam will start to come out of the steam head.

Note! When first filled or after running dry, it can take up to 45 seconds for steam to be produced.

- ◆ It takes a few seconds for steam to enter the cleaning pad. The steam mop will now glide easily over the surface to be sanitized/cleaned.
- ◆ Push and pull the steam mop slowly across the surface to thoroughly steam clean each section.
- ◆ When you have finished using the steam mop, return the handle (8) to the upright position, making sure that it is supported and turn it 'OFF'. Wait until the steam mop cools down (approximately five minutes).

Caution! It is important to monitor the water level in the water tank. To refill the water tank and continue to sanitize/clean stand the mop upright making sure that the handle is supported and turn the steam mop 'OFF'. Unplug the unit from the electrical wall outlet, and refill the water tank.

Caution! Never leave the steam mop in one spot on any surface for any period of time. Always place the steam mop with the handle (8) supported in the upright position when stationary and make sure the steam mop is turned off when not in use.

Carpet refreshing

- ◆ Place a cleaning pad (13) on the floor with the 'loop' side facing up.
- ◆ lightly press the steam mop down onto the cleaning pad.
- ◆ Place the carpet glider (12b) on the floor.
- ◆ Lightly press the steam mop down onto the carpet glider until it clicks into place.
- ◆ Connect the steam mop to the mains.
- ◆ Press the ON/OFF button (1). It takes approximately 15 seconds for the steam mop to heat up.
- ◆ Turn the Smart select dial (2) to the Wood/Laminate setting.
- ◆ Push and pull the steam mop slowly across the carpet to thoroughly refresh each section.
- ◆ When you have finished using the steam mop, return the handle (8) to the upright position and turn the unit OFF. Wait until the steam mop cools down (approximately five minutes).

After use

- ◆ Turn the Smart select dial (2) to the OFF position.
- ◆ Wait until the steam mop cools down.
- ◆ Unplug the steam mop from the electrical wall outlet.
- ◆ Empty the water tank.
- ◆ remove the cleaning pad (13) and wash it ready for next use (take care to follow the wash care instructions printed

on the cleaning pad).

- ◆ Wrap the supply cable around the cable tidy hooks (7 and 9).
- ◆ There is a hanging bracket (15) built into the hand grip (6) which allows your steam mop to be hung from a suitable hook on the wall. Always ensure that your wall hook is capable of supporting the weight of the steam mop safely.

Hand held steam cleaning

Warning! Unit will not produce steam unless it is connected to the main body (11) or the steam hose (16) is fitted.

Warning! Only use in a horizontal position.

- ◆ Attach the required accessory.
- ◆ Connect the hand held steam cleaner to the mains.
- ◆ Press the ON/OFF button (1). It takes approximately 15 seconds for the steam mop to heat up.
- ◆ Turn the Smart select dial (2) until the required setting is reached. After a few seconds steam will start to come out of the steam head.

Note! When first filled or after running dry, it can take up to 45 seconds for steam to be produced.

- ◆ When you have finished using the hand held steam cleaner turn the Smart select dial (2) to the OFF position. Turn the unit OFF by pressing the ON/OFF button (1) and disconnect from the mains supply. Wait until the unit cools down before storing (approximately five minutes).

Accessories

The performance of your appliance depends on the accessory used. BLACK+DECKER accessories are engineered to high quality standards and designed to enhance the performance of your appliance. By using these accessories you will get the very best from your equipment.

Troubleshooting

If your appliance seems not to operate properly, follow the instructions below. If this does not solve the problem, please contact your local BLACK+DECKER repair agent.

The steam mop is not turning on	1.	Check the unit is plugged in at the wall socket.
	2.	Check the unit is switched on using the ON/OFF switch (1)
	3.	Check the fuse in the plug.
The steam mop is not producing steam	4.	The steam mop will only produce steam if the hand held steam cleaner (5) is correctly docked into the main body (11) or the steam hose is fitted or the Smart select is turned to ON
	5.	Check that the water tank is full. Note: When first filled or after running dry it can take up to 45 seconds for steam to be produced.
	6.	Check steps 1, then 2, then 3
The steam mop stops producing steam during use	7.	Check steps 4, then 5, then 3

Problem	Step	Possible solution
The steam mop is producing too much steam during use	8.	Turn the Smart select dial (2) anti-clockwise to reduce the amount of steam being produced
The steam mop is producing too little steam during use	9.	Turn the Smart select dial (2) clockwise to increase the amount of steam being produced
No steam is being produced from the hand held steam cleaner	10.	Check that the Smart select dial (2) is at the ON position
	11.	Check steps 5, then 1, then 2, then 3
The hand held steam cleaner is producing too little steam during use	12.	Turn the Smart select dial (2) clockwise to increase the amount of steam being produced
	13.	Check step 5
The hand held steam cleaner is producing too much steam during use	14.	Turn the Smart select dial (2) anti-clockwise to reduce the amount of steam being produced
The accessories keep falling off the unit	15.	Refer to the assembly chapter for correct fitting instructions of all parts and accessories
Steam is escaping from unexpected areas of the unit	16.	Refer to the assembly chapter for correct fitting instructions of all parts and accessories
Where can I get further information/ accessories	17.	www.blackanddecker.co.uk/steammop
		www.blackanddecker.ie/steammop

Service Information

BLACK+DECKER offers a full network of company-owned and authorized service locations throughout Asia. All BLACK+DECKER Service Centers are staffed with trained personnel to provide customers with efficient and reliable product service.

Whether you need technical advice, repair, or genuine factory replacement parts, contact the BLACK+DECKER location nearest to you.

NOTE

- ◆ BLACK+DECKER's policy is one of continuous improvement to our products and, as such, we reserve the right to change product specifications without prior notice.
- ◆ Standard equipment and accessories may vary by country.
- ◆ Product specifications may differ by country.
- ◆ Complete product range may not be available in all countries. Contact your local BLACK+DECKER dealers for range availability.

FSMH13151SM

蒸汽拖把

技术参数

		FSMH13151SM
电压	伏特 _{交流}	220-240
功率	瓦	1300
水箱容量	毫升	500
重量	千克	2.8

设计用途

您的 BLACK+DECKER™ FSMH13151SM 蒸汽拖把设计用于清洁与清洗密封实木地板、密封复合地板、油地毯地板、乙烯基地板、瓷砖地板、石地板及大理石地板。本设备仅适用于室内家庭用途。

安全说明



警告！使用设备前，请仔细阅读“安全、维护、保养”手册的所有内容。
使用设备前，请仔细阅读本手册。

设备上的标签

设备上显示下列图形和日期码。



警示热蒸汽



倒置时滴水



蒸汽从四面逸出



不要让儿童在无人看管下接触



只能手洗

部件名称

本设备包含如下部分或全部部件。

1. On/Off 开关
2. 智能选择旋钮
3. 手持式蒸汽设备手柄
4. 注水口盖子
5. 手持式蒸汽设备
6. 手柄
7. 顶端电源线整理钩
8. 主手柄
9. 底端电源线整理钩
10. 手持式蒸汽设备释放按钮
11. 主机身
12. 地板清洁头
- 12a. 强力蒸汽喷射地板清洁头
- 12b. 地毯助滑器
(仅用于地毯)
13. 地板清洁垫
14. 地板清洁垫释放凸耳
15. 吊钩
16. 蒸汽软管
- 16a. 软管释放按钮
17. 蒸汽喷嘴
18. 大型橡胶清洁剂附件
(用于淋浴屏/玻璃/镜子/服装/内饰)
- 18a. 大型橡胶清洁剂套
19. 强力蒸汽喷射毛刷装置
- 19a. 强力蒸汽喷射钢丝刷
(用于烧烤/烤箱)
- 19b. 强力蒸汽喷射毛刷
(用于烧烤/烤箱/灶具/水龙头/灌浆)
- 19c. 强力蒸汽喷射宽头毛刷
(用于较大的工作表面)
20. 三角拖把头
(用于服装/内饰/较大的工作表面)

- 20a. 平面清洁垫
- 20b. 衣物蒸汽挂烫接口
(用于服装/内饰)
- 20c. 衣物蒸汽挂烫毛刷
(用于服装/内饰)
- 20d. 衣物蒸汽挂烫垫
(用于服装/内饰)
- 20e. 地毯助滑器
- 21. 可调节喷嘴
- 22. SteaMitt™
- 23. SteaMitt™ 软管
- 24. SteaMitt™ 清洁垫

组装



警告！ 进行如下任何操作之前，请确保关闭设备开关、拔下设备插头、设备处于冷却状态并卡入含水。

安装手柄（图 A）

- ◆ 将手柄 (8) 的底端向蒸汽拖把机身的顶端 (11) 滑动，直至其卡入到位。

连接手持蒸汽清洁器（图 B）

- ◆ 握住蒸汽拖把机身 (11) 背面，将手持蒸汽清洁器 (5) 紧紧推入蒸汽拖把机身 (11)，使它正确固定在接口 (11a) 上方并卡入到位。

拆卸手持蒸汽清洁器（图 B）

- ◆ 按下主机身 (11) 上的释放按钮 (10)，同时将手持蒸汽清洁器 (5) 脱离接口 (11a) 并拉离主机身 (11)。

安装清洁垫（图 C）

BLACK+DECKER 代理商提供备用清洁垫。

- ◆ 将清洁垫 (13) 置于地板上，魔术扣贴“环形”面朝上。
- ◆ 将蒸汽拖把往清洁垫 (13) 上轻压。

注：该装置随附标准地板清洁头 (12) 或强力蒸汽喷射清洁头 (12a)。无论哪种情况，都请按照上述说明安装清洁垫。

小心！ 禁止让蒸汽拖把长时间停留在任一工作表面上。蒸汽拖把处于静止状态时，尽量使手柄 (8) 保持竖直位置；未使用蒸汽拖把时，请确保将其开关关闭。

拆卸清洁垫

小心！ 给蒸汽拖把更换清洁垫时，请务必穿上合适的鞋子。请勿穿拖鞋或露趾鞋。

- ◆ 将手柄 (8) 恢复到竖直位置，并关闭蒸汽拖把。
- ◆ 等待蒸汽拖把冷却（大约 5 分钟）。
- ◆ 将蒸汽拖把从清洁垫上提起，使魔术贴分离。

小心！ 禁止让蒸汽拖把长时间停留在任一工作表面上。

蒸汽拖把处于静止状态时，尽量使手柄 (8) 保持竖直位置；未使用蒸汽拖把时，请确保将其开关关闭。

给水箱加水（图 Q）

注意！ 给水箱注入干净的自来水（不要使用任何添加剂或化学品）。

注意！ 如果您所在地区的自来水水质较硬，建议您使用去离子水。

- ◆ 向上翻开注水口盖子 (4)。
- ◆ 给水箱加水（不要使用任何添加剂或化学品）。

警告！ 装水时，请将水箱从主装置上拆下并保持水平位置。

警告！ 本水箱的容量为 0.5 升。请勿超过水箱的最高水位线。

- ◆ 关闭注水口盖子 (4)。

注意！ 确保注水口盖子已经稳固安装。

连接地毯助滑器 (12b)（仅用于地毯）

- ◆ 将地毯助滑器 (12b) 置于地板上。
- ◆ 将清洁垫连接到地板清洁头 (12) 上。
- ◆ 将蒸汽拖把往地毯助滑器 (12b) 上轻压，直至其卡入到位。

小心！ 禁止让蒸汽拖把长时间停留在任一工作表面上。蒸汽拖把处于静止状态时，尽量使手柄 (8) 保持竖直位置；未使用蒸汽拖把时，请确保将其开关关闭。

取下地毯助滑器

小心！ 给蒸汽拖把更换地毯助滑器时，请务必穿上合适的鞋子。请勿穿拖鞋或露趾鞋。

- ◆ 将手柄 (8) 恢复到竖直位置，并关闭蒸汽拖把。
- ◆ 等待蒸汽拖把冷却（大约 5 分钟）。
- ◆ 请将自己鞋子的前部放在地毯助滑器拆卸凸耳上，用力向下踩。
- ◆ 将蒸汽拖把向上拉，使其离开地毯助滑器。

小心！ 禁止让蒸汽拖把长时间停留在任一工作表面上。蒸汽拖把处于静止状态时，尽量使手柄 (8) 保持竖直位置；未使用蒸汽拖把时，请确保将其开关关闭。

将软管和附件连接到手持式蒸汽清洁器 (图 G - O)

警告！每次使用前，检查手持式蒸汽清洁器 (5) 和蒸汽软管 (16) 上的连接点之间的密封件。如果密封件出现故障或损坏，请与最近的授权维修代理商联系。请勿使用设备。

安装软管

- ◆ 按下蒸汽软管 (16) 上的蒸汽软管释放按钮 (16a)。
- ◆ 将蒸汽软管 (16) 连接到手持式蒸汽清洁器 (5)，并松开蒸汽软管释放按钮 (16a)，确保其卡入到位。

重要信息！确保蒸汽软管 (16) 稳固连接到手持式蒸汽清洁器 (5)。如果蒸汽从接头中逸出，则软管安装不正确。关闭开关，让本设备冷却，然后拆下并重新安装软管。

安装附件 (图 H)

- ◆ 将蒸汽喷嘴 (17) 上的凸耳与附件的凹槽对齐。
- ◆ 将附件按压到蒸汽喷嘴 (17) 上，逆时针旋转，直到附件卡入到位。

重要信息！所有附件，除了有自己的软管和接头 (23) 的 SteaMitt™ (22) 外，均必须连接到蒸汽软管 (16) 方可使用。

拆卸软管和附件

警告！蒸汽软管 (16)、蒸汽喷嘴 (17) 和附件在使用期间会发热。应等设备和所有附件冷却后才尝试拆卸。

拆卸附件

- ◆ 顺时针旋转附件，然后拉离软管 (16)。

拆卸软管

- ◆ 按下蒸汽软管 (16) 上的蒸汽软管释放按钮 (16a)，然后从手持式蒸汽设备上拉开。

SteaMitt™

BLACK+DECKER™ SteaMitt™ 设计用于消毒和清洁瓷砖、工作台、厨房表面和浴室表面。本设备仅适用于室内家庭用途。

将 SteaMitt™ 软管连接到手持式蒸汽设备

警告！每次使用前检查蒸汽喷嘴和软管上的密封件。如果密封件丢失或损坏，请与最近的授权维修代理商联系。请勿使用设备。检查 SteaMitt™ 和软

管上的密封件。如果密封件丢失、受损或有任何蒸汽逸出，请与最近的授权维修代理商联系。请勿使用设备。确保 SteaMitt™ 软管或连接软管中没有堵塞。如果检测到任何堵塞，请与最近的授权维修代理商联系。请勿使用设备。

为 SteaMitt™ 安装清洁垫 (图 L)

警告！确保蒸汽放气口没有任何堵塞。如果检测到任何堵塞，请与最近的授权维修代理商联系。请勿使用设备。

- ◆ 通过将清洁垫上方的“环形”魔术贴条 (24a) 粘贴到 SteaMitt™ (4) 下方的“钩形”魔术贴条 (22a)，将清洁垫 (24) 安装到 SteaMitt™ (22) 上。向下压紧。

警告！不应在没有安装清洁垫的情况下使用 SteaMitt™。

注：SteaMitt™ 可使用 4 种不同厚度的清洁垫。百洁布（用于顽固污渍和非精致表面）、浴室垫（用于水龙头和其他模压浴室表面）、标准垫（用于所有较大的表面）和抛光垫（用于精致表面）。

⚠ **警告！**使用 SteaMitt™ 时务必将您的手放在防护手套内（如图 M 所示）。

⚠ **警告！**切勿尝试在使用 SteaMitt™ 时抓住其外部（如图 N 所示），这样会导致烫伤。

⚠ **警告！**避免在狭窄的角落使用 SteaMitt™，如图 O 所示。

⚠ **警告！**如果使用过程中出现问题，应使用快速释放凸耳迅速从手中取出 SteaMitt™，如图 P 所示。

⚠ **警告！**不要在窗户等冷玻璃上使用 SteaMitt™，因为温度突然变化可能会损坏玻璃。

⚠ **警告！**切勿将手套指向自己或指向任何其他他人。

注：安装 SteaMitt™ 时，变速蒸汽旋钮会断开连接，蒸汽流将受到限制。

使用

重要信息！若按照本手册中的说明操作并使用装配的微纤维垫连续运行 90 秒，本设备将消灭 99.9% 的细菌。

开启和关闭

- ◆ 要启动设备，请按下 ON/Off 开关 (1)。蒸汽拖把需要大约 15 秒钟进行加热。
- ◆ 要关闭设备，请按下 ON/Off 开关 (1)。

注：在按下蒸汽按钮之前，务必将手放入 SteaMitt™。

小心！禁止让蒸汽拖把长时间停留在任一工作表面上。

蒸汽拖把处于静止状态时，尽量使手柄 (8) 保持竖直位置。未使用蒸汽拖把时，请确保将其开关关闭。未使用蒸汽拖把时，请确保将其开关关闭。




小心！使用后，务必清空蒸汽拖把。

注意！刚注入水或水份耗尽后，最多可能需要 45 秒来产生蒸汽。

智能选择技术 (图 R)

本蒸汽拖把装有智能选择旋钮 (2)，该旋钮提供各种清洁用途指示。您可以根据清洁用途，设定正确的操作模式。

使用智能选择来选择以下应用之一，方法是旋转智能选择旋钮 (2)，直到选定所需设置。

设置	拖把	手持式
	实木地板/复合地板	用于窗户的高温蒸汽 ●
	石地板/大理石地板	● ●
	瓷砖地板/乙烯基地板	用于重度污垢的低温蒸汽 ● ● ●

本蒸汽拖把会根据您的特殊清洁用途，选择合适的蒸汽流量。

注：使用蒸汽拖把之前，请务必确保您正在使用正确的设置。

强力蒸气喷射 (图 C1)

地板头 (12a) 备有强力蒸气喷射踏板，以协助您清除顽固的污渍。

- ◆ 使用时，请按下强力蒸气喷射踏板以加强清洁效果。
- ◆ 要恢复正常设置，请再次按下踏板。

最佳使用提示

一般原则

警示：禁止在未安装清洁垫的情况下使用蒸汽拖把。

- ◆ 使用蒸汽拖把前，请务必使用吸尘器或扫把将地板上的灰尘清除干净。
- ◆ 本产品最简单的使用方法就是将手柄倾斜至 45° 角，慢慢清洁，每次只清洁一小片地方。

- ◆ 只使用水，不要将蒸汽拖把与添加剂或化学品一起使用。要清除乙烯基地板或油毡地板上的顽固污渍，可在使用蒸汽拖把前，用温和洗涤剂 and 适量的水进行处理。

用拖把进行蒸汽清洁

- ◆ 将手持式蒸汽清洁器 (5) 安装到蒸汽拖把机身 (11) 上。
- ◆ 将清洁垫 (13) 置于地板上，魔术扣贴“环形”面朝上。
- ◆ 将蒸汽拖把往清洁垫 (13) 上轻压。
- ◆ 将蒸汽拖把连接到电源。
- ◆ 按 ON/OFF 按钮 (1)。蒸汽拖把需要大约 15 秒钟进行加热。
- ◆ 旋转智能选择旋钮 (2)，直至达到所需的设置。数秒后，蒸汽将从蒸汽头中涌出。

注意！刚注入水或水份耗尽后，最多可能需要 45 秒来产生蒸汽。

- ◆ 蒸汽需要几秒钟时间进入清洁垫。完成以上步骤后，蒸汽拖把将能轻松在待清洁/清洗的表面上滑动。
- ◆ 在表面上慢慢推拉蒸汽拖把，用蒸汽彻底清洁地板的各个角落。
- ◆ 用完蒸汽拖把后，将手柄 (8) 返回到直立位置，确保稳固支撑并将其关闭。等待蒸汽拖把冷却 (约 5 分钟)。

小心！务必监控水箱水位。要重新装满水箱并继续清洁/清洗，请将拖把直立放置，确保手柄稳固支撑，并关闭蒸汽拖把。从墙面插座上拔下工具插头，然后重新注满水箱。

小心！禁止让蒸汽拖把长时间停留在任一工作表面上。蒸汽拖把处于静止状态时，尽量使手柄 (8) 保持竖直位置；未使用蒸汽拖把时，请确保将其开关关闭。

清洗地毯

- ◆ 将清洁垫 (13) 置于地板上，魔术扣贴“环形”面朝上。
- ◆ 将蒸汽拖把往清洁垫上轻压。
- ◆ 将地毯助滑器 (12b) 置于地板上。
- ◆ 将蒸汽拖把往地毯助滑器上轻压，直至其卡入到位。
- ◆ 将蒸汽拖把连接至主电源。
- ◆ 按下 ON/OFF 按钮 (1)。蒸汽拖把需要大约 15 秒钟进行加热。
- ◆ 将智能选择旋钮 (2) 旋至“木板/复合地板”设置。

- ◆ 在地毯上慢慢推拉蒸汽拖把，用蒸汽彻底清洁地毯的各个部分。
- ◆ 用完蒸汽拖把后，将手柄 (8) 恢复到竖直位置，并关闭装置。等待蒸汽拖把冷却 (约 5 分钟)。

使用后

- ◆ 将智能选择旋钮 (2) 转至关闭位置。
- ◆ 等待蒸汽拖把冷却。
- ◆ 从墙面插座上拔下蒸汽拖把插头。
- ◆ 清空水箱。
- ◆ 拆卸清洁垫 (13) 并清洗以备下次使用 (注意遵循清洁垫上印制的清洁保养说明)。
- ◆ 将电源线缠绕在电源线整理钩上 (7 和 9)。
- ◆ 可以使用手柄 (6) 内置的吊钩 (15) 将蒸汽拖把挂到墙上一个符合其重量标准的挂钩上。请务必确保所使用的挂钩能够安全地承受蒸汽拖把的重量。

手持式蒸汽清洁

警告！在连接至主机身 (11) 或安装蒸汽软管 (16) 前，设备不会产生蒸汽。

警告！只能在水平位置使用。

- ◆ 连接所需的附件。
- ◆ 将手持式蒸汽清洁器连接到电源。
- ◆ 按下 ON/OFF 按钮 (1)。蒸汽拖把需要大约 15 秒钟进行加热。
- ◆ 旋转智能选择旋钮 (2)，直至达到所需设置。数秒后，蒸汽将从蒸汽头中涌出。

注意！刚注入水或水份耗尽后，最多可能需要 45 秒来产生蒸汽。

- ◆ 使用手持式蒸汽清洁器后，将智能选择旋钮 (2) 旋转到关闭位置。按 ON/OFF 按钮 (1) 关闭设备并断开电源。等待设备冷却后再存放 (约 5 分钟)。

附件

设备的性能取决于所使用的附件。BLACK+DECKER 附件依据高质量标准进行规划，并设计用于增强设备的性能。使用这些配件会令您的设备如虎添翼。

故障排除

如果设备似乎无法正常运行，请按照以下说明进行操作。如果仍不能解决问题，请联系您当地的 BLACK+DECKER 维修代理。

问题	步骤	可能的解决方案
蒸汽拖把没有启动	1.	检查设备是否已插入墙壁插座。
	2.	使用 ON/OFF 开关 (1) 检查设备是否已打开
	3.	检查插头中的保险丝。
蒸汽拖把不产生蒸汽	4.	只有当手持式蒸汽清洁器 (5) 正确插入主机 (11)，或安装了蒸汽软管，或已将智能选择旋钮旋转到开启位置，蒸汽拖把才会产生蒸汽
	5.	检查水箱是否已满。注：刚注入水或水份耗尽后，可能需要最长 45 秒时间来产生蒸汽。
	6.	依次检查步骤 1、步骤 2 和 步骤 3
蒸汽拖把在使用过程中停止产生蒸汽	7.	依次检查步骤 4、步骤 5 和 步骤 3
蒸汽拖把在使用过程中产生的蒸汽太多	8.	逆时针旋转智能选择旋钮 (2)，以减少产生的蒸汽量
蒸汽拖把在使用过程中产生的蒸汽太少	9.	顺时针旋转智能选择旋钮 (2)，以增加产生的蒸汽量
手持式蒸汽清洁器不产生蒸汽	10.	确认智能选择旋钮 (2) 位于 ON 位置
	11.	依次检查步骤 5、步骤 1、步骤 2 和 步骤 3
手持式蒸汽清洁器在使用过程中产生的蒸汽太少	12.	顺时针旋转智能选择旋钮 (2)，以增加产生的蒸汽量
	13.	检查步骤 5
手持式蒸汽清洁器在使用过程中产生的蒸汽太多	14.	逆时针旋转智能选择旋钮 (2)，以减少产生的蒸汽量
附件一直从设备上掉落	15.	有关所有部件和附件的正确安装说明，请参阅组装章节
蒸汽从设备的意外区域逸出	16.	有关所有部件和附件的正确安装说明，请参阅组装章节
在哪里可以获得更多信息/附件	17.	www.blackanddecker.co.uk/steammp www.blackanddecker.ie/steammp

服务信息

BLACK+DECKER 提供覆盖整个亚洲的公司隶属和授权服务地点。所有 BLACK+DECKER 服务中心都具有训练有素的人员，为客户提供高效和可靠的产品服务。

不论您是需要技术建议、维修或原厂替换部件，请联系离您最近的 BLACK+DECKER 地点。

备注

- ◆ BLACK+DECKER 的政策是持续改进我们的产品，因此，我们保留随时更改产品规格的权利，恕不另行通知。
- ◆ 标准设备和附件可能会因国家 (地区) 而异。
- ◆ 不同国家 (地区) 的产品规格也可能会有所不同。
- ◆ 并非所有的国家 (地区) 都可提供完整的产品系列。有关各产品系列的供货情况，请联系您当地的 BLACK+DECKER 代理商。