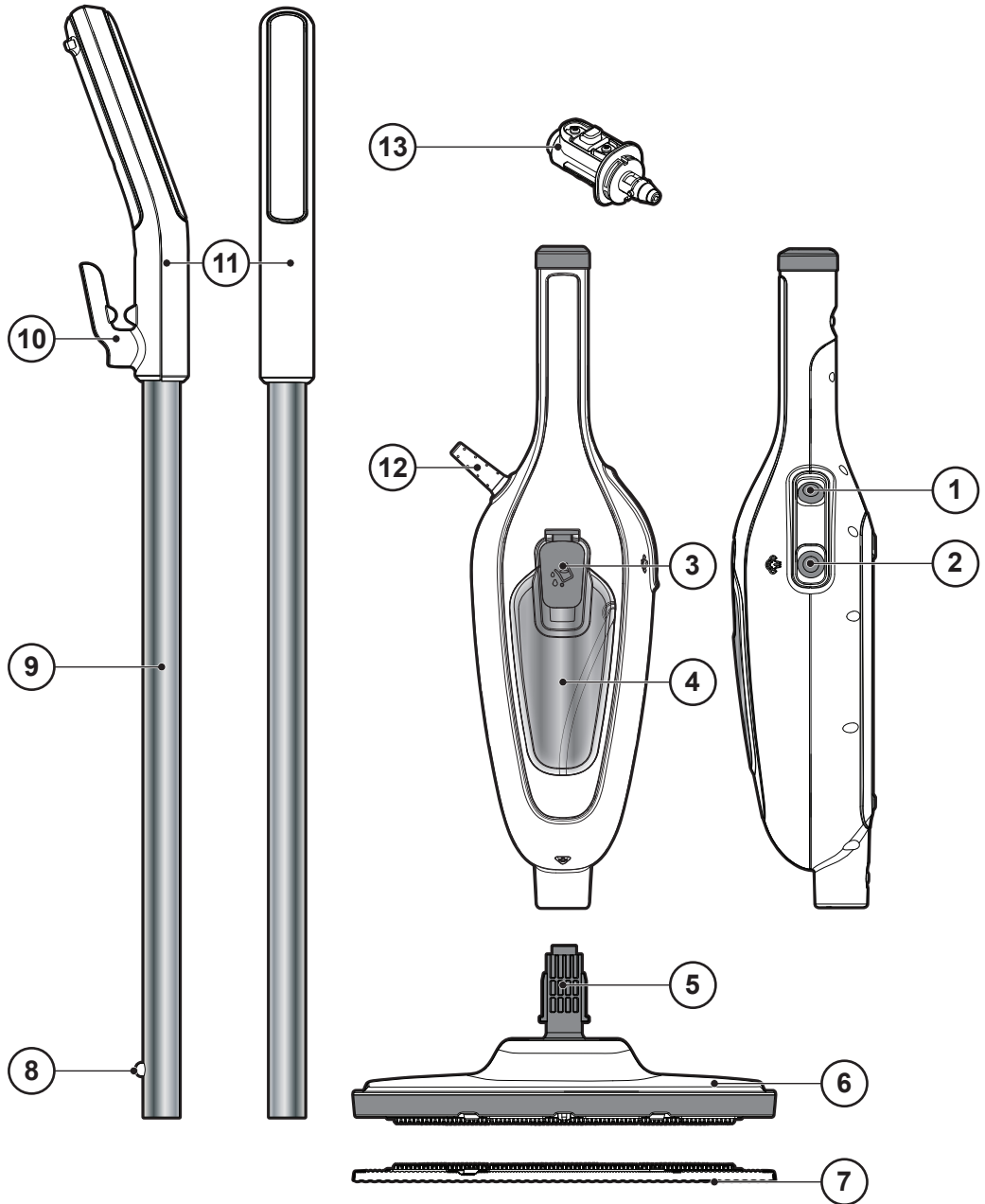
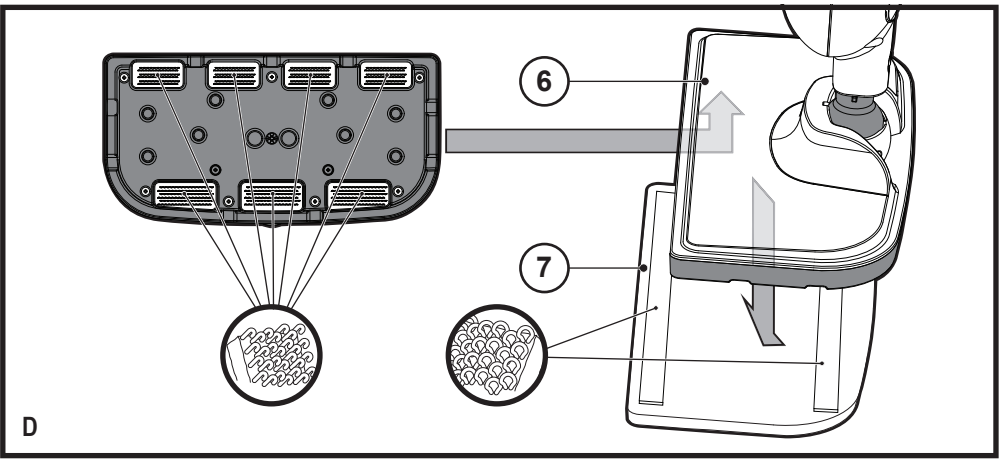
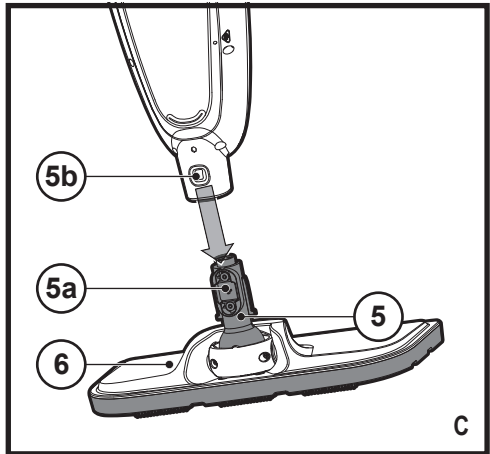
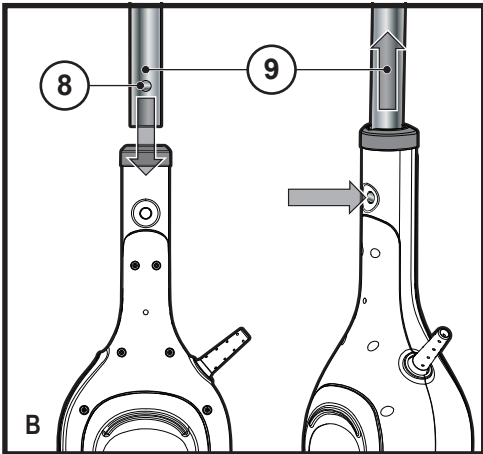
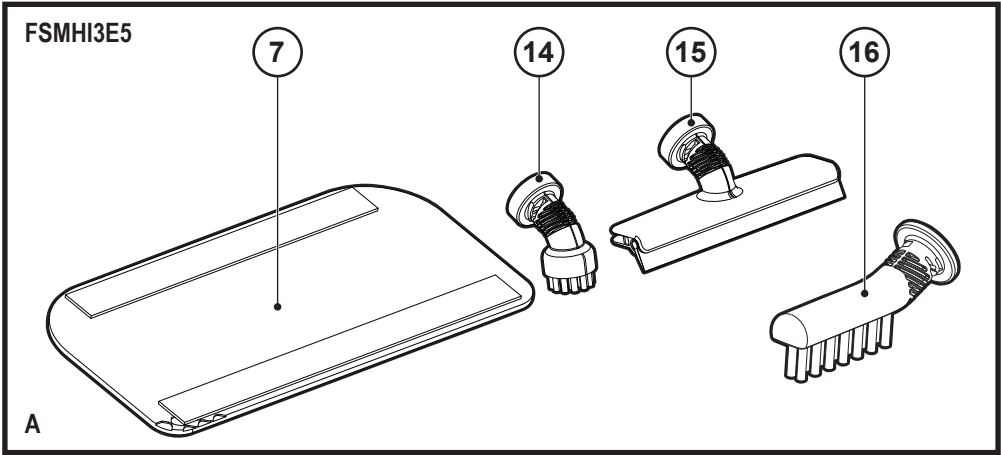


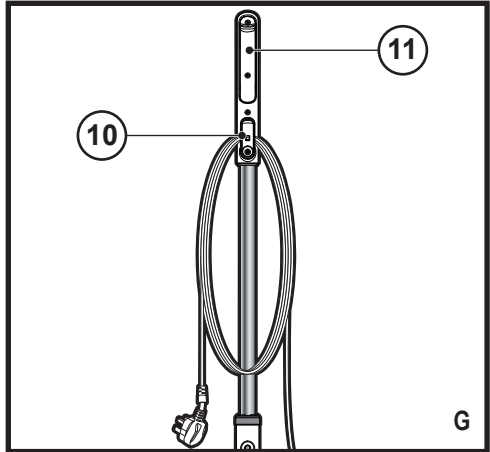
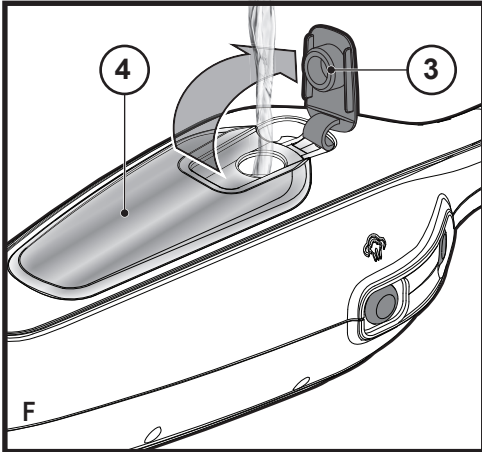
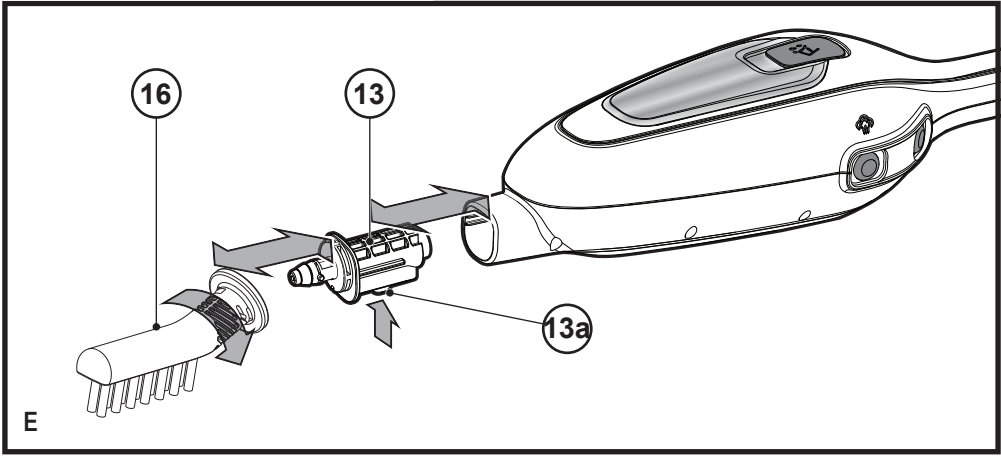
www.blackanddecker.com

FSMH13E5

ENGLISH 5
简体中文 8







FSMH13E5**STEAM MOP****Technical Data**

		FSMH13E5
Voltage	V _{ac}	220-240V
Power	W	1300
Tank Capacity	ml	380
Weight	kg	1.8

Intended use

Your BLACK+DECKER™ FSMH13E5 steam mop has been designed for sanitising and cleaning sealed hardwood, sealed laminate, linoleum, vinyl, ceramic tile, stone and marble floors. This appliance is intended for indoor household use only.

Safety Instructions

Warning! Read all Safety, Maintenance, Service' manual carefully before operating this appliance. Read all of this manual carefully before operating this appliance.

Safety of others

- ◆ This appliance can be used by children aged from 8 years and above and persons with reduced physical, sensory or mental capabilities or lack of experience and knowledge if they have been given supervision or instruction concerning use of the appliance in a safe way and understand the hazards involved.
- ◆ Children shall not play with the appliance. Cleaning and user maintenance shall not be made by children without supervision.
- ◆ If the supply cord is damaged, it must be replaced by the manufacturer, its service agent or similarly qualified persons in order to avoid a hazard.

- ◆ The plug must be removed from the socket-outlet before cleaning or maintaining the appliance.
- ◆ The liquid or steam must not be directed towards equipment containing electrical components, such as the interior of ovens.
- ◆ The appliance shall not be left unattended while it is connected to the supply mains.
- ◆ The appliance is not to be used if it has been dropped, if there are visible signs of damage or if it is leaking.
- ◆ Keep the appliance out of reach of children when it is energized or cooling down.

Labels on appliance

The following pictograms along with the date code are shown on the appliance.

**CAUTION** Hot Steam

Warning! To reduce the risk of injury, the user must read the instruction manual.

Features

1. On/off switch
2. Steam operate button
3. Water tank access tab
4. Water tank
5. Steam head connector
6. Steam head
7. Steam head cleaning pad
8. Handle connector button
9. Handle
10. Cable tidy hook
11. Grip
12. Power cable
13. Accessory adaptor
14. Small brush (plastic bristles)
15. Small squeegee
16. Grout brush

Assembly



Warning! Before attempting any of the following instructions, make sure that the appliance is switched off and unplugged and the appliance is cold and does not contain any water.

Attaching the handle (Fig. B)

- ◆ Slide the bottom end of the handle (9) into the top end of the steam mop body until the handle connector button (8) clicks into place.

Attaching the steam head (Fig. C)

- ◆ Connect the steam mop body to the steam head (6) via the steam head connector (5), ensuring the connection button (5a) clicks into place in the the opening (5b).

Attaching a cleaning pad (Fig. D)

Replacement cleaning pads are available from your BLACK+DECKER dealer :- (cat no. FSMP20-A9).

- ◆ Place a cleaning pad (7) on the floor with the velcro 'loop' side facing up.
- ◆ Lightly press the steam mop down onto the cleaning pad (7).

Caution: Always place your steam mop with the handle (9) supported in the upright position when stationary and make sure the steam mop is turned off when not in use.

Removing a cleaning pad

Caution! Always wear suitable shoes when changing the cleaning pad on your steam mop. Do not wear slippers or open toed footwear.

- ◆ Return the handle (9) to the upright position and turn the steam mop 'OFF'.
- ◆ Wait until the steam mop cools down (approximately 5 minutes).
- ◆ Lift the steam mop away from the cleaning pad freeing it from the velcro fastening.

Caution! Always place your steam mop with the handle (9) supported in the upright position when stationary and make sure the steam mop is turned off when not in use.

Using as a hand held unit

- ◆ Disconnect the hand held unit from the steam head by pushing the connection button (5a) figure C.
- ◆ Remove the handle (9) from the hand held unit by pushing the handle connector button (8) figure B.

Fitting accessories (Fig. E)

- ◆ Fit the accessorie adaptor (13) into the main body of the unit ensuring the button (13a) clicks into the relevant opening.

- ◆ Attach the required accessorie to the accessorie adaptor (13) and twist clockwise to lock into place.

Filling the water tank (Fig. F)

Note! Fill the water tank with clean tap water.

Note! In areas of hard water, the use of de-ionised water is recommended.

- ◆ Open the water tank access tab (3).
- ◆ Fill the water tank (4) with water.

Warning! Your water tank has a 380ml capacity. Do not over fill the tank.

- ◆ Replace the water tank access tab.

Note! Ensure the water tank access tab is firmly secured.

Note! Do not use chemical cleaners with your steam mop water tank.

Use

Important! This unit will kill 99.9% of bacteria and germs when used in accordance with the instructions in this manual and with the micro fibre pad fitted and a continuous run time of 90 seconds.

Switching on and off

- ◆ To switch the appliance on, press the ON/Off button (1). It takes approximately 15 seconds for the steam mop to heat up.
 - ◆ Press the steam operation button (2). This will operate the pump and the unit will begin to produce steam.
 - ◆ To stop steam generation, turn the steam operation button (2) to off. This will maintain power to the boiler for quicker start up.
 - ◆ To switch the appliance off, press the ON/Off button (1).
- Caution!** Never leave the steam mop in one spot on any surface for any period of time.

Always place the steam mop with the handle (9) supported in the upright position when stationary and make sure the steam mop is turned off when not in use.

Caution! Always empty the steam mop after use.

Note! When first filled or after running dry, it can take up to 45 seconds for steam to be produced.

Hints for optimum use

General

Caution: Never use the steam mop without first attaching a cleaning pad.

- ◆ Always vacuum or sweep the floor before using the steam mop.
- ◆ The easiest way to use the appliance is to tilt the handle to a 45° angle and clean slowly, covering a small area at a time.

- ◆ Do not use chemical cleaners with your steam mop. To remove stubborn stains from vinyl or linoleum floors, you can pre-treat with a mild detergent and some water before using the steam mop.

Steam Cleaning

- ◆ Place a cleaning pad (7) on the floor with the velcro 'loop' side facing up.
- ◆ Lightly press the steam mop down onto the cleaning pad (7).
- ◆ Connect the steam mop to the mains.
- ◆ Press the ON/OFF button (1). It takes approximately 15 seconds for the steam mop to heat up.
- ◆ Press the steam operate button (2). After a few seconds, steam will start to come out of the steam head.

Note! When first filled or after running dry, it can take up to 45 seconds for steam to be produced.

- ◆ It takes a few seconds for steam to enter the cleaning pad. The steam mop will now glide easily over the surface to be sanitized/cleaned.
- ◆ Push and pull the steam mop slowly across the surface to thoroughly steam clean each section.
- ◆ When you have finished using the steam mop, return the handle (9) to the upright position, making sure that it is supported and turn it 'OFF'. Wait until the steam mop cools down (approximately five minutes).

Caution! It is important to monitor the water level in the water tank (4). To refill the water tank and continue to sanitize/clean stand the mop upright making sure that the handle is supported and turn the steam mop 'OFF'. Unplug the unit from the electrical wall outlet, refill the water tank (4).

Caution! Never leave the steam mop in one spot on any surface for any period of time. Always place the steam mop with the handle (9) supported in the upright position when stationary and make sure the steam mop is turned off when not in use.

After use (Fig. G)

- ◆ Turn the steam mop 'OFF'. turn the steam operation button (2) to off and then press the ON/OFF button (1).
- ◆ Wait until the steam mop cools down.
- ◆ Unplug the steam mop from the electrical wall outlet.
- ◆ Empty the water tank.
- ◆ remove the cleaning pad (7) and wash it ready for next use.
- ◆ Wrap the power supply cable around the tidy hook (10).

Troubleshooting

If your appliance seems not to operate properly, follow the instructions below. If this does not solve the problem, please contact your local BLACK+DECKER repair agent.

Problem	Step	Possible solution
The steam mop is not turning on	1.	Check the unit is plugged in at the wall socket.
	2.	Check the unit is switched on using the ON/OFF switch (1)
The steam mop is not producing steam	3.	Check the water tank (4) is full . NOTE: When first filled or after running dry it can take up to 45 seconds for steam to be produced.
	4.	Check the steam generation button is in the ON position (2).
	5.	The steamer is equipped with a thermostat and a thermal cut-out. If for any reason the steamer overheats it will switch off. If this happens turn off and unplug the steamer, allow to cool for 2 to 4 hours and re-try.

Service Information

BLACK+DECKER offers a full network of company-owned and authorized service locations throughout Asia. All BLACK+DECKER Service Centers are staffed with trained personnel to provide customers with efficient and reliable product service.

Whether you need technical advice, repair, or genuine factory replacement parts, contact the BLACK+DECKER location nearest to you.

NOTE

- ◆ BLACK+DECKER's policy is one of continuous improvement to our products and, as such, we reserve the right to change product specifications without prior notice.
- ◆ Standard equipment and accessories may vary by country.
- ◆ Product specifications may differ by country.
- ◆ Complete product range may not be available in all countries. Contact your local BLACK+DECKER dealers for range availability.

FSMH13E5

蒸汽拖把

技术参数

FSMH13E5		
电压	伏特 _{交流}	220-240 伏特
功率	瓦	1300
水箱容量	毫升	380
重量	千克	1.8

设计用途

BLACK+DECKER™ FSMH13E5 蒸汽拖把设计用于清洁与清洗密封实木地板、密封复合地板、油地毯地板、乙烯基地板、瓷砖地板，石地板及大理石地板。本设备仅适用于室内家庭用途。

安全说明



警告！使用设备前，请仔细阅读“安全、维护、保养”手册的所有内容。使用设备前，请仔细阅读本手册。

他人安全

- ◆ 在有他人监督的情况下，或在接受过安全使用该产品的指导并已了解了可能存在的危险的情况下，8岁或以上的小孩，以及身体、感官或精神较差的人员，或者对该类产品缺少使用经验和认识的人员，也可以使用本产品。
- ◆ 儿童不得耍玩本设备。在没有他人监督的情况下，禁止儿童使用本设备或对其进行维护保养。
- ◆ 如果电源线损坏，必须让制造商、检修代理或类似合格人员更换以避免发生危险。

- ◆ 在清洁或维护设备之前，必须从插座上拔下插头。
- ◆ 液体或蒸汽不得朝向包含电气部件的设备，例如炉的内部。
- ◆ 设备连接到电源时，不得无人看管。
- ◆ 如果设备掉落，或者有明显的损坏迹象或泄漏，则不得使用设备。
- ◆ 在设备通电或冷却时，将设备放在儿童接触不到的地方。

设备上的标签

设备上显示下列图形和日期码。



警示 热蒸汽



警告！为减少受伤风险，用户须阅读使用手册。

部件名称

1. On/Off 开关
2. 蒸汽操作按钮
3. 水箱盖
4. 水箱
5. 蒸汽头连接器
6. 蒸汽头
7. 蒸汽头清洁垫
8. 手柄连接器按钮
9. 手柄
10. 电源线整理钩
11. 手柄
12. 电源线
13. 附件适配器
14. 小型毛刷（塑料刷毛）
15. 小型橡胶清洁剂
16. 灌浆刷

组装



警告！进行如下任何操作之前，请确保关闭设备开关、拔下设备插头、设备处于冷却状态并且不含水。

安装手柄（图 B）

- 将手柄 (9) 的底端向蒸汽拖把机身的顶端滑动，直至手柄连接器按钮 (8) 卡入到位。

安装蒸汽头（图 C）

- 通过蒸汽头连接器 (5) 将蒸汽拖把主体连接到蒸汽头 (6)，确保连接按钮 (5a) 卡入定位槽 (5b) 中。

安装清洁垫（图 D）

BLACK+DECKER 代理商均提供备用清洁垫（货号：FSMP20-A9）。

- 将清洁垫 (7) 置于地板上，魔术扣贴“环形”面朝上。
- 将蒸汽拖把往清洁垫 (7) 上轻压。

警示：蒸汽拖把处于静止状态时，切记使手柄 (9) 保持竖直位置；未使用蒸汽拖把时，请确保将其开关关闭。

拆卸清洁垫

小心！给蒸汽拖把更换清洁垫时，请务必穿上合适的鞋子。请勿穿拖鞋或露趾鞋。

- 将手柄 (9) 恢复到竖直位置，关闭蒸汽拖把电源开关。
- 等待蒸汽拖把冷却（约 5 分钟）。
- 分开魔术贴，向上提起蒸汽拖把，从清洁垫上取下。

警示！蒸汽拖把处于静止状态时，切记使手柄 (9) 保持竖直位置；未使用蒸汽拖把时，请确保将其开关关闭。

将其用作手持设备

- 如图 C 所示，按下连接按钮 (5a)，将手持设备与蒸汽头断开。
- 所图 B 所示，按下手柄连接器按钮 (8)，从手持设备卸下手柄 (9)。

安装配件（图 E）

- 将附件适配器 (13) 装入本机的主体，确保按钮 (13a) 卡入相应的定位槽。
- 将所需附件连接到附件适配器 (13) 上并顺时针旋转以锁定到位。

给水箱加水（图 F）

注意！请给水箱加装清洁的自来水。

注意！如果您所在地区的自来水水质较硬，建议您使用去离子水。

- 打开水箱盖 (3)。
- 给水箱 (4) 加水。

警告！本水箱的容量为 380 毫升。请勿超过水箱的最高水位线。

- 更换水箱盖。

注意！确保水箱盖已牢牢盖紧。

注意！请勿将蒸汽拖把水箱与化学清洁剂一起使用。

使用

重要信息！若按照本手册中的说明操作并使用装配的微纤维垫连续运行超过 90 秒，本设备的灭菌率将达 99.9%。

开启和关闭

- 要启动设备，请按下开/关按钮 (1)。蒸汽拖把需要大约 15 秒钟进行加热。
- 按下蒸汽操作按钮 (2)。这将使水泵开始运作，并使设备产生蒸汽。
- 要停止产生蒸汽，请将蒸汽操作按钮 (2) 转至关闭位置。这将保持发热体的电力以加速启动。
- 要关闭设备，请按下开/关按钮 (1)。

小心！禁止让蒸汽拖把长时间停留在任一工作表面上。

蒸汽拖把处于静止状态时，切记使手柄 (9) 保持竖直位置；未使用蒸汽拖把时，请确保将其开关关闭。

小心！使用后，务必清空蒸汽拖把。

注意！刚注入水或水份耗尽后，可能需要最长 45 秒时间来产生蒸汽。

最佳使用提示

一般原则

警示：禁止在未安装清洁垫的情况下使用蒸汽拖把。

- 使用蒸汽拖把前，请务必使用吸尘器或扫把将地板上的灰尘清除干净。
- 本产品最简单的使用方法就是将手柄倾斜至 45° 角，慢慢清洁，每次只清洁一小片地方。
- 请勿将蒸汽拖把与化学清洁剂一起使用。要清除乙烯基地板或油地毯地板上的顽固污渍，可在使用蒸汽拖把前，用温和洗涤剂 and 适量的水进行处理。

蒸汽清洁

- 将清洁垫 (7) 置于地板上，魔术扣贴“环形”面朝上。
- 将蒸汽拖把往清洁垫 (7) 上轻压。
- 将蒸汽拖把连接至主电源。
- 按下开/关按钮 (1)。蒸汽拖把需要大约 15 秒钟进行加热。
- 按下蒸汽操作按钮 (2)。数秒后，蒸汽将从蒸汽头中涌出。

注意！ 刚注入水或水份耗尽后，最多可能需要 45 秒来产生蒸汽。

- 蒸汽需要几秒钟时间进入清洁垫。完成以上步骤后，蒸汽拖把将能轻松在待清洁/清洗的表面上滑动。
- 在表面上慢慢推拉蒸汽拖把，用蒸汽彻底清洁地板的各个角落。
- 用完蒸汽拖把后，将手柄 (9) 返回到直立位置，确保稳固支撑并将其关闭。等待蒸汽拖把冷却 (约 5 分钟)。

警示！ 使用时，监控水箱 (4) 水位非常重要。要重新装满水箱并继续清洁/清洗，请将拖把直立放置，确保手柄稳固支撑，并关闭蒸汽拖把。从墙面插座上拔出工具插头，然后重新注满水箱 (4)。

警示！ 禁止让蒸汽拖把长时间停留在任一工作表面上。蒸汽拖把处于静止状态时，切记使手柄 (9) 保持竖直位置；未使用蒸汽拖把时，请确保将其关闭。

使用后 (图 G)

- 关闭蒸汽拖把。关闭蒸汽操作按钮 (2)，然后按下开/关按钮 (1)。
- 等待蒸汽拖把冷却。
- 从墙面插座上拔出蒸汽拖把插头。
- 清空水箱。
- 取下并清洗清洁垫 (7)，以备下次使用。
- 将电源线缠绕在整理钩上 (10)。

故障排除

如果设备似乎无法正常运行，请按照以下说明进行操作。如果仍不能解决问题，请联系您当地的 BLACK+DECKER 维修代理。

问题	步骤	可能的解决方案
蒸汽拖把没有启动	1.	检查设备是否已插入墙壁插座。
	2.	使用 ON/OFF 开关 (1) 检查设备是否已打开
蒸汽拖把不产生蒸汽	3.	检查水箱 (4) 是否已满。 注： 刚注入水或水份耗尽后，可能需要最长 45 秒时间来产生蒸汽。
	4.	检查蒸汽生成按钮是否处于开启位置 (2)。
	5.	蒸汽机配备恒温器和热切断器。如果蒸汽机因任何原因出现过热情况，将会自动关闭。如果发生这种情况，请关闭并拔出蒸汽机插头，让其冷却 2 至 4 小时后重新尝试。

服务信息

BLACK+DECKER 提供覆盖整个亚洲的公司隶属和授权服务地点。所有 BLACK+DECKER 服务中心都具有训练有素的人员，为客户提供高效和可靠的产品服务。

不论您是需要技术建议、维修或原厂替换部件，请联系最靠近您的 BLACK+DECKER 地点。

备注

- BLACK+DECKER 的政策是持续改进我们的产品，因此，我们保留随时更改产品规格的权利，恕不另行通知。
- 标准设备和附件可能会因国家（地区）而异。
- 不同国家（地区）的产品规格也可能会有所不同。
- 并非所有的国家（地区）都可提供完整的产品系列。有关各产品系列的供货情况，请联系您当地的 BLACK+DECKER 代理商。

制造商：百得美国公司
 地址：701 E Joppa Rd, TW050 MD21286,
 Towson, 美国
 产地：江苏苏州

