

BX275
BX225
BX205

Parts Identification

A. Filler Cap

B. Lid

C. Blender jug

D. Jug base

E. Jug / Mincer seal

F. Blade

G. Blade holder

H. Motor coupling

I. Blender body

J. Control knob

K Chopper jug (BX275 Only)

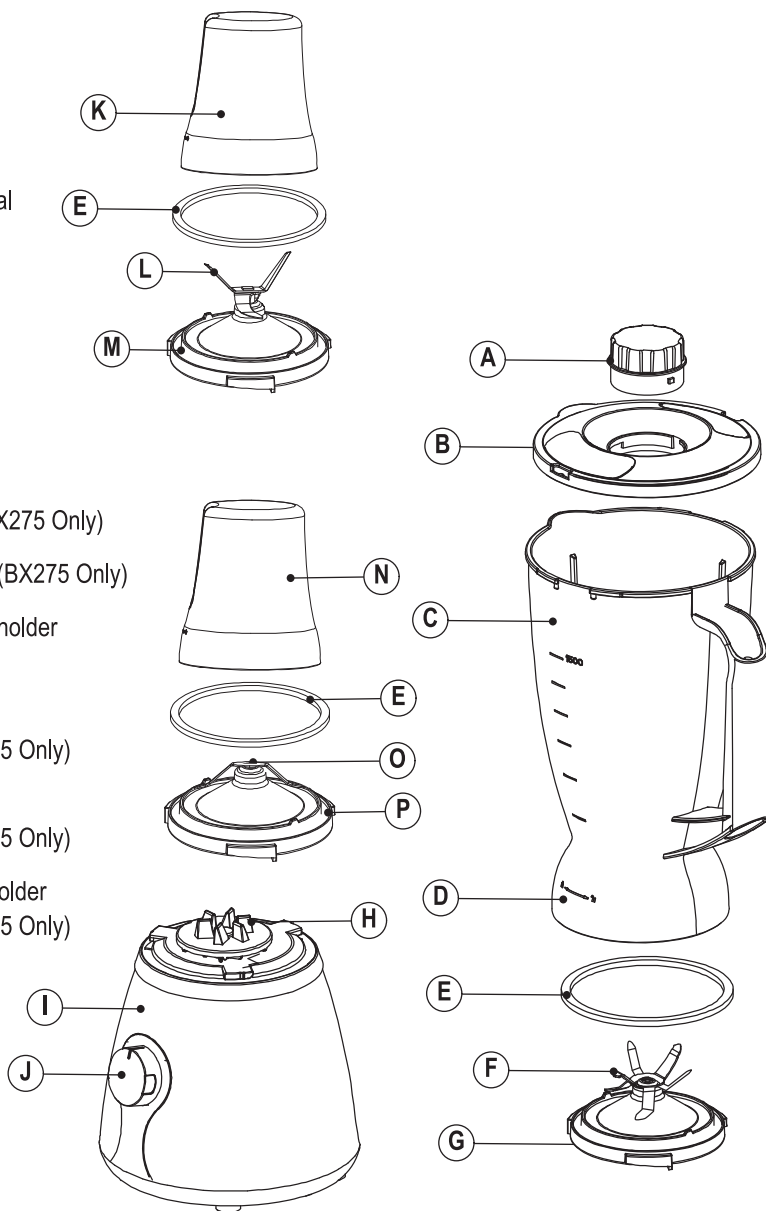
L. Chopper blade (BX275 Only)

M. Chopper blade holder (BX275 Only)

N. Grinder jug (BX225 & BX275 Only)

O. Grinder Blade (BX225 & BX275 Only)

P. Grinder blade holder (BX225 & BX275 Only)



BX205 BX225 BX275 Blender

Technical Data

Blender		BX205 BX225 BX275
Voltage	Volts	220 – 240
Supply	Hz	50/60
Power consumption (Speed I)	W	200
Power Consumption (Speed II)	W	300
Weight	kg	1.5

Intended use

Your Black & Decker blender has been designed for blending, mixing and crushing of solid and liquid food and beverage ingredients. This product is intended for indoor household use only.



Read this entire manual carefully before using the appliance.

Safety instructions

- **Warning!** When using mains-powered appliances, basic safety precautions, including the following, should always be followed to reduce the risk of fire, electric shock and personal injury.
- The intended use is described in this manual. The use of any accessory or attachment or the performance of any operation with this appliance other than those recommended in this instruction manual may present a risk of personal injury.

- Retain this manual for future reference.
- always disconnect the blender from the supply if it is left unattended and before assembling, disassembling or cleaning;
- do not allow children to use the blender without supervision.

CAUTION: Ensure that the blender is switched off before removing it from the stand. Switch off the appliance and disconnect from supply before changing accessories or approaching parts that move in use.

Using your appliance

- Always take care when using the appliance.
- Never pull the power supply cord to disconnect the plug from the socket. Keep the power supply cord away from heat, oil and sharp edges.
- Do not place the appliance on or near heat sources or in a heated oven.
- Do not use the appliance outdoors.
- Always protect the motor unit from water or excessive humidity.
- If the power supply cord is damaged during use, disconnect the appliance from the power supply immediately. Do not touch the power supply cord before disconnecting from the power supply.
- Disconnect the appliance from the power supply when not in use, before fitting or removing parts and before cleaning.
- Never let the appliance operate unattended.
- Never reach into the jar with your fingers or an object while the appliance is running.

- Only remove the jar after you have switched the appliance off and any moving parts have stopped.
- Do not touch the cutting blades.
- Keep any loose clothing or long hair away from the feeding tube and any moving parts.
- Care shall be taken when handling the sharp cutting blades, emptying the bowl and during cleaning.
- Do not immerse the appliance, cord set or plug in liquids.

Safety of others

- This appliance is not intended for use by persons (including children) with reduced physical sensory or mental capabilities, or lack of experience and knowledge, unless they have been given supervision or instruction concerning use of the appliance by a person responsible for their safety.
- Children should be supervised to ensure that they do not play with the appliance.

After use

- Remove the plug from the socket before leaving the appliance unattended and before changing, cleaning or inspecting any parts of the appliance.
- When not in use, the appliance should be stored in a dry place. Children should not have access to stored appliances.

Inspection and repairs

- Switch off the appliance before cleaning, changing accessories or approaching parts which move in use
- Before use, check the appliance for damaged or defective parts. Check for breakage of parts, damage to switches and any other conditions that may affect its operation.
- Do not use the appliance if any part is damaged or defective.
- Do not use the appliance if the blade is damaged.
- Have any damaged or defective parts repaired or replaced by an authorised repair agent.
- Before use, check the power supply cord for signs of damage, ageing and wear.
- Do not use the appliance if the power supply cord or mains plug is damaged or defective.
- If the power supply cord or mains plug is damaged or defective it must be repaired by an authorised repair agent in order to avoid a hazard. Do not cut the power supply cord and do not attempt to repair it yourself.
- Never attempt to remove or replace any parts other than those specified in this manual.

Electrical safety

Before use, check that the mains voltage corresponds to the voltage on the rating plate.



This appliance is double insulated in accordance with EN 60335-2-14; therefore no earth wire is required.

- To avoid the risk of electric shock, do not immerse the cord, plug or motor unit in water or other liquid.
- Check that the supply voltage shown on the rating plate of the appliance matches that of your electrical system. Any connection error will invalidate the guarantee.

Mains plug replacement

If a new mains plug needs to be fitted:

- Safely dispose of the old plug
- Connect the brown lead to the live terminal of the new plug
- Connect the blue lead to the neutral terminal
- If the product is class I (earthed), connect the green/yellow lead to the earth terminal

Warning! If your product is class II double insulated (only 2 wires in the cord set), no connection is to be made to the earth terminal

- Follow the fitting instructions supplied with good quality plugs
- Any replacement fuse must be of the same rating as the original fuse supplied with the product

Assembly

1. Wash all detachable parts (see chapter 'Maintenance and cleaning').
2. Fit the jug seal (E) into the required blade holder (G).
3. Place the blade holder (G) into the required jug base (D).

4. Secure the blade holder (G) by turning it anti clockwise.

Use

1. Place the appliance on a flat, stable surface.
2. Put the ingredients into the required jug (C).
3. If using the blender push the lid (B) and filler cap (A) onto the jug (C).
4. If using the Grinder or chopper seal the jug by fitting the required blade holder (A) and secure by turning anti-clockwise.
5. Place the jug (C) onto the blender body (I).
6. Secure the jug (C) by turning it anti clockwise.
7. Connect it to the electrical supply and select the required speed using the rotary switch.

The following settings are available:-

P = Pulse Operation

O = Power Off

1 = Low Speed

2 = High Speed



The appliance should be disconnected from the mains supply before removing the jug.

Recommendations when blending

Ingredients	Max Run Time (Seconds)	Speed	Max Quantity (ml)
Liquids	20 sec	1	1000ml
Semi Liquids *	10 sec	2	750ml

*Semi Liquids assumes maximum of 250 grams of fruits, vegetables or ice in 2.5x2.5 cm cubes along with 500 ml of water or any other liquid of similar consistency.

Note: The blender should not be run for longer than 1 minute. After a continuous run of 1 minute, the blender should be allowed to cool down for at least 2 minutes before further use.

Recommendations when grinding (BX225 & BX275 Only)

Ingredients	Max Run Time (Seconds)	Speed	Max Quantity (ml)
Dry Pepper/ Coffee beans	20 sec	2	60g
Dry Pulses	30 sec	1	50g
Dry Herbs	20 sec	1	50g

Note: The dry grinder should not be continuously run for longer than 40 seconds.

Warning! The grinder should NOT be used for wet grinding of hard food materials like pulses, beans, grains etc. This will lead to damage of blades and reduction of motor life span.

Recommendations when chopping (BX275 Only)

Ingredients	Max Run Time (Seconds)	Speed	Max Quantity (ml)
Meat	20 sec	1	50g
Cheese *	10 sec	2	50g

* The chopper should only be used for very hard cheeses such as parmesan.

Note: The chopper should not be continuously run for longer than 40 seconds.

Useful advice

- Place the appliance on a clean, flat work surface.

Note: Do not exceed the maximum capacity of 1.5 litres.

- Connect the appliance to a suitable electrical supply. Rotate the control knob (J) to the required speed.
- When blending is complete return the control knob to the off (0) position.
- Once the blade (F) has come to a complete stop, lift the jug (C) from the blender body (I).
- Remove the lid (B) and pour the ingredients into a suitable container.

Note: Ingredients can be added by inserting them through the hole left when the filler cap (A) is removed.

Warning! Never operate the Blender without the lid (B) fitted.

Maintenance & cleaning

- Switch the appliance off, remove the plug from the wall socket and wait until the blade has stopped rotating.
- The appliance is easier to clean if you do so immediately after use.
- Do not use abrasive cleaning agents, scourers, acetone, alcohol etc. to clean the appliance.
- All detachable parts are dishwasher-safe.
- Place the detachable plastic parts on the top

tray of the dishwasher. Make sure they are placed well away from the heating element.

- All removable parts can be cleaned with a cleaning brush in warm water with some washing-up liquid and rinse them under the tap.
- Remove the dirty parts from the motor unit. Clean the motor unit with a damp cloth.
- Never immerse the motor unit in water nor rinse it under the tap.

Protecting the environment



Separate collection. This product must not be disposed of with normal household waste.

Should you find one day that your Black & Decker product needs replacement, or if it is of no further use to you, do not dispose of it with household waste. Make this product available for separate collection.

Separate collection of used products and packaging allows materials to be recycled and used again. Re-use of recycled materials helps prevent environmental pollution and reduces the demand for raw materials.

Local regulations may provide for separate collection of electrical products from the household, at municipal waste sites or by the retailer when you purchase a new product.

Service Information

Black & Decker offers a full network of company-owned and authorized service locations throughout Asia. All Black & Decker Service Centers are staffed with trained personnel to provide customers with efficient and reliable power tool service. Whether you need technical advice, repair, or genuine factory replacement parts, contact the Black & Decker location nearest to you.

Notes

- Black & Decker's policy is one of continuous improvement to our products and, as such, we reserve the right to change product specifications without prior notice
- Standard equipment and accessories may vary by country
- Product specifications may differ by country
- Complete product range may not be available in all countries
- Contact your local Black & Decker dealers for range availability

