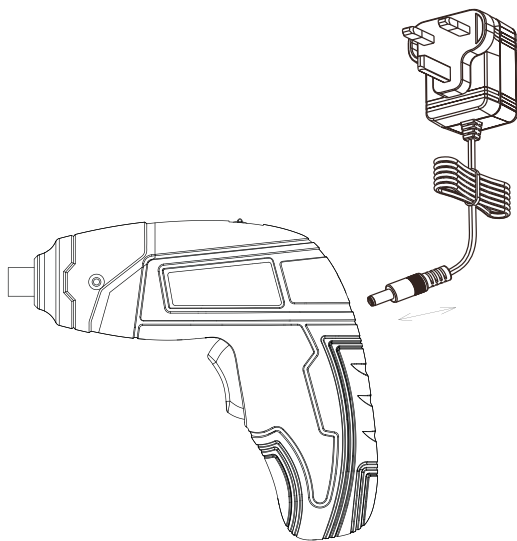
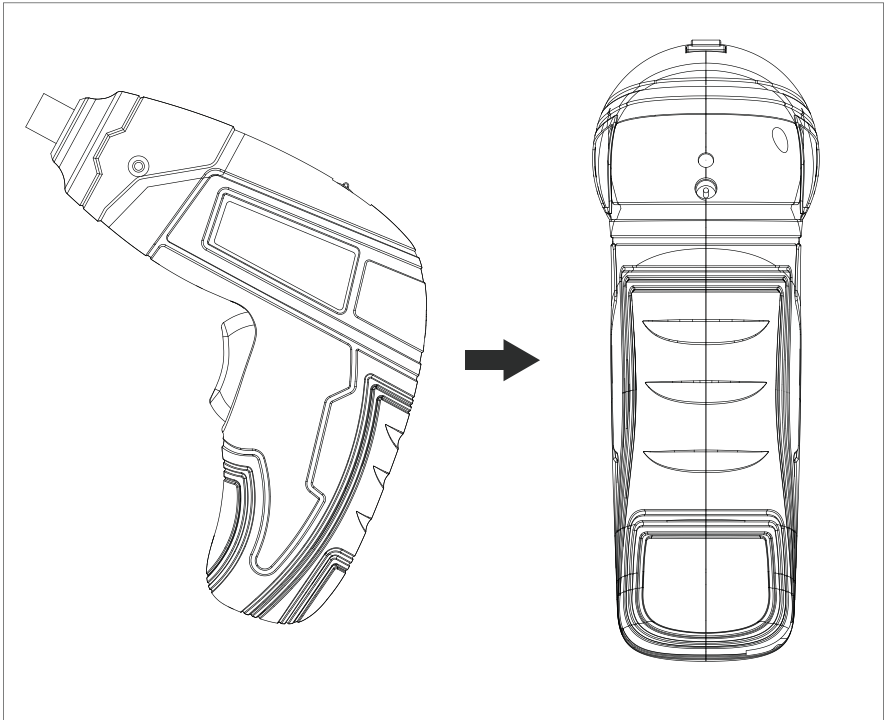
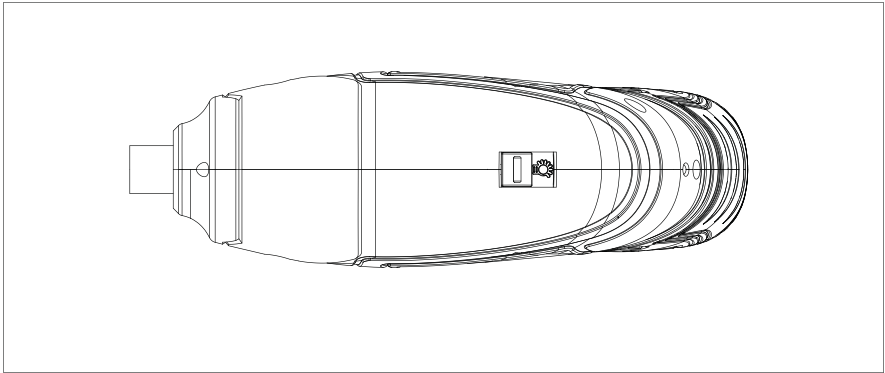


A



B



Intended use

Your BLACK+DECKER screwdriver KC3610 has been designed for screwdriving applications. This tool is intended for consumer use only.

Safety instructions

General power tool safety warnings



Warning! Read all safety warnings and all instructions. Failure to follow the warnings and instructions listed below may result in electric shock, fire and/or serious injury.

Save all warnings and instructions for future reference.

The term "power tool" in all of the warnings listed below refers to your mains operated (corded) power tool or battery operated (cordless) power tool.

1. Work area safety

- a. **Keep work area clean and well lit.**
Cluttered or dark areas invite accidents.
- b. **Do not operate power tools in explosive atmospheres, such as in the presence of flammable liquids, gases or dust.** Power tools create sparks which may ignite the dust or fumes.
- c. **Keep children and bystanders away while operating a power tool.**
Distractions can cause you to lose control.

2. Electrical safety

- a. **Power tool plugs must match the outlet. Never modify the plug in any way. Do not use any adapter plugs with earthed (grounded) power tools.** Unmodified plugs and matching outlets will reduce risk of electric shock.
- b. **Avoid body contact with earthed or grounded surfaces such as pipes, radiators, ranges and refrigerators.** There is an increased risk of electric shock if your body is earthed or grounded.

- c. **Do not expose power tools to rain or wet conditions.** Water entering a power tool will increase the risk of electric shock.
- d. **Do not abuse the cord. Never use the cord for carrying, pulling or unplugging the power tool. Keep cord away from heat, oil, sharp edges or moving parts.** Damaged or entangled cords increase the risk of electric shock.
- e. **When operating a power tool outdoors, use an extension cord suitable for outdoor use.** Use of a cord suitable for outdoor use reduces the risk of electric shock.
- f. **If operating a power tool in a damp location is unavoidable, use a residual current device (RCD) protected supply.** Use of an RCD reduces the risk of electric shock.

3. Personal safety

- a. **Stay alert, watch what you are doing and use common sense when operating a power tool. Do not use a power tool while you are tired or under the influence of drugs, alcohol or medication.** A moment of inattention while operating power tools may result in serious personal injury.
- b. **Use personal protective equipment. Always wear eye protection.** Protective equipment such as dust mask, non-skid safety shoes, hard hat, or hearing protection used for appropriate conditions will reduce personal injuries.
- c. **Prevent unintentional starting. Ensure the switch is in the off-position before connecting to power source and/or battery pack, picking up or carrying the tool.** Carrying power tools with your finger on the switch or energising power tools that have the switch on invites accidents.
- d. **Remove any adjusting key or wrench before turning the power tool on.** A wrench or a key left attached to a rotating part of the power tool may result in personal injury.

e. Do not overreach. Keep proper footing and balance at all times. This enables better control of the power tool in unexpected situations.

f. Dress properly. Do not wear loose clothing or jewellery. Keep your hair, clothing and gloves away from moving parts. Loose clothes, jewellery or long hair can be caught in moving parts.

g. If devices are provided for the connection of dust extraction and collection facilities, ensure these are connected and properly used. Use of dust collection can reduce dust-related hazards.

4. Power tool use and care

a. Do not force the power tool. Use the correct power tool for your application. The correct power tool will do the job better and safer at the rate for which it was designed.

b. Do not use the power tool if the switch does not turn it on and off. Any power tool that cannot be controlled with the switch is dangerous and must be repaired.

c. Disconnect the plug from the power source and/or the battery pack from the power tool before making any adjustments, changing accessories, or storing power tools. Such preventive safety measures reduce the risk of starting the power tool accidentally.

d. Store idle power tools out of the reach of children and do not allow persons unfamiliar with the power tool or these instructions to operate the power tool. Power tools are dangerous in the hands of untrained users.

e. Maintain power tools. Check for misalignment or binding of moving parts, breakage of parts and any other condition that may affect the power tools operation. If damaged, have the power tool repaired before use. Many accidents are caused by poorly maintained power tools.

f. Keep cutting tools sharp and clean. Properly maintained cutting tools with

sharp cutting edges are less likely to bind and are easier to control.

g. Use the power tool, accessories and tool bits etc., in accordance with these instructions, taking into account the working conditions and the work to be performed. Use of the power tool for operations different from those intended could result in a hazardous situation.

5. Battery tool use and care

a. Recharge only with the charger specified by the manufacturer. A charger that is suitable for one type of battery pack may create a risk of fire when used with another battery pack.

b. Use power tools only with specifically designated battery packs. Use of any other battery packs may create a risk of injury and fire.

c. When battery pack is not in use, keep it away from other metal objects, like paper clips, coins, keys, nails, screws, or other small metal objects, that can make a connection from one terminal to another. Shorting the battery terminals together may cause burns or a fire.

d. Under abusive conditions, liquid may be ejected from the battery; avoid contact. If contact accidentally occurs, flush with water. If liquid contacts eyes, additionally seek medical help. Liquid ejected from the battery may cause irritation or burns.

6. Service

a. Have your power tool serviced by a qualified repair person using only identical replacement parts. This will ensure that the safety of the power tool is maintained.

Special Safety Advice for Screwdriver

Hold power tool by insulated gripping surfaces, when performing an operation where the fastener may contact hidden wiring. Fasteners contacting a "live" wire may make exposed metal parts of the power tool "live" and could give the operator an electric shock.

Only plug the Battery Charger in 230V mains. Recharge the Battery only with the provided charger. Before starting any work on walls, floors or similar, make sure that all power lines in the work area are switched off at the main switchboard. Use a suitable device such as a metal or electricity line detecting device. If in doubt contact a qualified electrician or your utility provider. Both tools and work-pieces can heat up considerably during the drilling operation. Allow a sufficient period of cooling before handling. Wear appropriate gloves.

Safety Advice for Charger

Important! Danger! There are 3 pcs 1.2V Ni-cd battery in screwdriver, Never short-circuit the battery or expose it to moisture. Do not store it together with any metal parts which could short-circuit the contacts. the machine could overheat, start burning or explode.

Warning!

1. This appliance is not intended for use by persons (including children) with reduced physical, sensory or mental capabilities, or lack of experience and knowledge, unless they have been given supervision or instruction concerning use of the appliance by a person responsible for their safety.
2. Do not recharge non-rechargeable batteries

Vibration

The declared vibration emission values stated in the technical data and the declaration of conformity have been measured in accordance with a standard test method provided by EN 60745 and may be used for comparing one tool with another. The declared vibration emission value may also be used in a preliminary assessment of exposure.

Warning! The vibration emission value during actual use of the power tool can differ from the declared value depending on the ways in which the tool is used. The vibration level may increase above the level stated.

When assessing vibration exposure to determine safety measures required by

2002/44/EC to protect persons regularly using power tools in employment, an estimation of vibration exposure should consider, the actual conditions of use and the way the tool is used, including taking account of all parts of the operating cycle such as the times when the tool is switched off and when it is running idle in addition to the trigger time.

Labels on tool

The following pictograms are shown on the tool; along with the date code



Warning! To reduce the risk of injury, the user must read the instruction manual.



The charger is intended for indoor use only.



Read this entire manual carefully before using the appliance.

Position of date barcode

The Date Code, which also includes the year of manufacture, is printed into the housing. Example:

2014 XX JN
Year of manufacturing

Electrical safety



Your charger is double insulated; therefore no earth wire is required. Always check that the mains voltage

corresponds to the voltage on the rating plate. Never attempt to replace the charger unit with a regular mains plug.

- If the supply cord is damaged, it must be replaced by the manufacturer or an authorised BLACK+DECKER Service Centre in order to avoid a hazard.

Product Features

1. Tool Holder
2. LED light
3. Switch
4. LED switch
5. Charging indicator
6. Charging hole

Charging the Battery

Charging as shown. Must turn off the screwdriver. Only Red lights up on the power indicator when you charging. Charging time: 1-3 Hours.

Inserting Tool Bits

Important! Always Turn off the machine before you change the screw bit to avoid unintentional starting of the machine. On/Off Trigger.

On/Off Trigger

Use the On/Off trigger to start the machine and keep holding it for continuous operation.

Operation for working

1. Using the Screwdriver as a Screw-driver

Before using the machine check whether the screw-bit is inserted correctly. Avoid over-tightening screws, otherwise the screw head may be damaged or stripping of the threads may occur.

2. Screw Insertion

Set the direction of rotation of the screwdriver to the clockwise direction. Insert the screw-bit into the slot in the head of the screw. Hold the screw bit perpendicular to the head of the screw, otherwise the screw or the screw head may be damaged. Press the screw bit against the screw with a constant pressure while driving in the screw. When the screw is completely screwed in, hold the machine firmly and release the On/Off trigger, otherwise the screw or the screw head may be damaged. If the On/Off trigger is not released immediately a high torque could also damage the screwdriver bit or the screwdriver.

3. Screw Removal

Set the direction of rotation of the screwdriver to the anticlockwise direction. Insert the screw-bit into the slot in the head of the screw. Hold the screw-bit perpendicular to the head of the screw, otherwise the screw or the screw head may be damaged. Press the screw bit against the screw with a constant pressure while removing the screw.

Maintenance and Cleaning

Attention! Always remove the battery before carrying out any work on the machine.

To clean, always use a dry or moist, but not wet, towel. Many cleaning agents contain chemical substances which may cause damage to the plastic parts of the machine. Therefore do not use any strong or inflammable cleaners such as petrol, paint thinner, turpentine or similar cleaning agents.

Always keep air ventilation holes free of dust deposits to prevent overheating.

Batteries



BLACK+DECKER batteries can be recharged many times. At the end of their useful life, discard batteries with due care for our environment:

- Run the battery down completely, then remove it from the tool.
- NiCd, NiMH and Li-Ion batteries are recyclable. Take them to any authorised repair agent or a local recycling station.

Technical data

		KC3610
Rated Voltage	V	3.6
No load speed	min ⁻¹	200
Weight	kg	0.26
Battery cell	V	1.2 Ni-cd 600 mAh
Charger		HY-06
Rated Voltage	V	220-240
Output Voltage		DC6V
Charging Time		3-5 hours
Charger		HY06 Type 2
Input Voltage	V _{AC}	220-240
Output Voltage	V _{DC}	6
Output Current (DC)	mA	200

Protecting the environment



Separate collection. This product must not be disposed of with normal household waste.

Should you find one day that your BLACK+DECKER product needs replacement, or if it is of no further use to you, do not dispose of it with household waste. Make this product available for separate collection.



Separate collection of used products and packaging allows materials to be recycled and used again. Reuse of recycled materials helps prevent environmental pollution and reduces the demand for raw materials.

Local regulations may provide for separate collection of electrical products from the household, at municipal waste sites or by the retailer when you purchase a new product.

BLACK+DECKER provides a facility for the collection and recycling of BLACK+DECKER products once they have reached the end of their working life. To take advantage of this service please return your product to any authorised repair agent who will collect them on our behalf.

You can check the location of your nearest authorised repair agent by contacting your local BLACK+DECKER office at the address indicated in this manual. Alternatively, a list of authorised BLACK+DECKER repair agents and full details of our after-sales service and contacts are available on the Internet at: www.2helpU.com.

Guarantee

Black + Decker is confident of the quality of its products and offers an outstanding guarantee. This guarantee statement is in addition to and in no way prejudices your statutory rights.

If a Black + Decker product becomes defective due to faulty materials, workmanship or lack of conformity, within 24 months from the date of purchase, BLACK+DECKER guarantees to replace defective parts, repair products subjected to fair wear and tear or replace such products to make sure of the minimum inconvenience to the customer unless:

- The product has been used for trade, professional or hire purposes.
- The product has been subjected to misuse or neglect.
- The product has sustained damage through foreign objects, substances or accidents.
- Repairs have been attempted by persons other than authorised repair agents or Black + Decker service staff.

To claim on the guarantee, you will need to submit proof of purchase to the seller or an authorised repair agent. You can check the location of your nearest authorised repair agent by contacting your local BLACK+DECKER office at the address indicated in this manual. Alternatively, a list of authorised BLACK+DECKER repair agents and full details of our aftersales service and contacts are available on the Internet at: www.2helpU.com

Utilisation prévue

Votre tournevis BLACK+DECKER KC3610 a été conçu pour des travaux de vissage. Cet outil est destiné à une utilisation exclusivement domestique.

Consignes de sécurité

Précautions générales pour les outils électriques



Attention! Lisez attentivement toutes les consignes de sécurité et toutes les instructions. Si vous ne respectez pas les consignes de sécurité et les instructions

ci-dessous vous vous exposez à un risque de décharge électrique, d'incendie et/ou de blessures graves.

Conservez toutes les consignes de sécurité et les instructions pour vous y référer ultérieurement.

Dans toutes les consignes de sécurité mentionnées ci-dessous le terme « outil électrique » signifie un outil électrique branché sur une prise secteur (filaire) ou un outil électrique à pile (sans fil).

1. Place de travail

a. Maintenir la zone de travail propre et bien éclairée. Les endroits encombrés et sombres invitent les accidents.

b. Ne pas utiliser les machines-outils dans un environnement explosif, comme en présence de liquides inflammables, de gaz ou de poussières. Les machines-outils provoquent des étincelles qui peuvent mettre le feu aux poussières ou aux vapeurs.

c. Ne permettez pas aux tierces personnes et aux animaux de s'approcher de la machine lorsque vous l'utilisez. Les distractions peuvent occasionner une perte de contrôle.

2. Sécurité électrique

a. Les prises de branchement des machines-outils doivent correspondre aux prises d'alimentation. Ne jamais modifier la prise de quelque façon. Ne pas utiliser d'adaptateurs avec des prises d'appareils avec terre. Le branchement de prises non modifiées sur des prises d'alimentation

correspondantes évite tout risque d'accident et de décharge électrique.

b. Éviter d'être en contact physique avec des surfaces mises à la terre comme des tuyaux, des radiateurs, des cuisinières et des réfrigérateurs. Le fait d'être mis à la terre augmente le risque de décharge électrique.

c. Ne pas exposer les machines-outils à la pluie ou à un environnement humide. La pénétration de l'eau à l'intérieur d'une machine-outil accroît le risque de décharge électrique.

d. Ne pas maltraiter le cordon. Ne jamais utiliser le cordon pour porter la machine-outil, la tirer ou la débrancher. Tenir le cordon à l'écart de la chaleur, des graisses, des bords coupants ou des parties mobiles. Les cordons endommagés ou emmêlés augmentent le risque de décharge électrique.

e. En actionnant une machine-outil en extérieur, utiliser une rallonge adéquate pour une utilisation en extérieur. L'utilisation d'un cordon prévu pour un usage en extérieur réduit le risque de décharge électrique.

f. Si l'outil doit être utilisé dans un endroit humide, prenez les précautions nécessaires en utilisant un dispositif à courant résiduel (RCD). L'utilisation d'un tel dispositif réduit les risques d'électrocution.

3. Sécurité personnelle

a. Prêtez attention et regardez ce que vous êtes en train de faire, utilisez votre bon sens quand vous actionnez une machine-outil. N'utilisez pas une machine-outil quand vous êtes fatigué ou sous l'influence de drogues, d'alcool ou de médicaments. Un moment d'inattention pendant l'opération d'une machine-outil peut occasionner des blessures graves.

b. Utilisez des moyens de protection pour votre sécurité. Portez impérativement des lunettes de protection. D'autres possibilités comme un masque contre la poussière, des bottes de sécurité non-glissantes, un casque ou des protections auditives dans des situations appropriées réduisent le risque de blessures corporelles.

- c. Pour empêcher un démarrage intempestif. Vérifiez que l'interrupteur est sur la position arrêt avant de brancher l'outil sur une prise électrique et/ou une batterie, de le prendre ou de le transporter.** Transporter un outil électrique avec le doigt sur l'interrupteur ou mettre sous tension un outil électrique avec l'interrupteur allumé entraîne un risque d'accident.
- d. Enlevez toute clé d'ajustement avant de mettre la machine-outil en service.** Une clé laissée en position sur une partie mobile d'une machine-outil peut causer des blessures corporelles.
- e. N'essayez pas d'atteindre trop loin. Gardez votre stabilité et votre équilibre à tout moment.** Ainsi vous gardez un meilleur contrôle de la machine-outil dans des situations inattendues.
- f. Habillez-vous en proportion. Ne portez pas de vêtements amples ou des bijoux. Gardez vos cheveux, vêtements et gants à l'écart de toutes parties mobiles.** Des vêtements lâches, des bijoux ou de longs cheveux peuvent se trouver attrapés dans les parties mobiles.
- g. Si des accessoires sont fournis pour l'aspiration et le stockage des poussières, assurez-vous qu'ils sont correctement installés et utilisés.** L'utilisation de ces dispositifs peut réduire les risques dus aux poussières.
- 4. Utilisation d'une machine-outil et soins d'entretien**
- a. Ne pas forcer la machine-outil. Utilisez la machine-outil correspondant au travail à effectuer.** Une machine-outil adéquate réalisera un travail mieux fait, plus sûr et dans un délai pour lequel elle a été conçue.
- b. Ne pas utiliser une machine-outil dont l'interrupteur ne fonctionne pas.** Une machine-outil qui ne peut pas être activée par un interrupteur est potentiellement dangereuse et doit être réparée.
- c. Débranchez l'appareil avant de procéder à un ajustement, un changement d'accessoire ou avant de le ranger.** De telles mesures préventives de sécurité réduisent le risque de mettre des machines-outils en service accidentellement.
- d. Rangez les machines-outils hors de portée des enfants et n'autorisez pas l'utilisation de machines-outils par des personnes qui ne sont pas familiarisées avec l'appareil ou avec ces instructions.** Les machines-outils sont dangereuses entre les mains d'utilisateurs inexpérimentés.
- e. Prendre soin des machines-outils. Vérifier la déviation d'alignement, le serrage des vis, les pièces cassées ou tout autre dommage qui pourrait affecter le bon fonctionnement de la machine-outil. Si la machine est endommagée, la faire réparer avant de l'utiliser.** Beaucoup d'accidents sont dus à des machines-outils en mauvaise condition.
- f. Maintenir les outils de coupe aiguisés et propres.** Des outils de coupe correctement entretenus avec des lames aiguisées risquent moins de se bloquer et sont plus faciles à utiliser.
- g. Utilisez une machine-outil, ses accessoires et ses pièces selon ces instructions et de la façon prévue pour ce type particulier d'appareils, en tenant compte des conditions de travail et du travail à effectuer.** Une utilisation autre que celle prévue peut entraîner une situation dangereuse.
- 5. Utilisation et précautions à prendre avec les outils à batterie**
- a. Rechargez uniquement avec le chargeur spécifié par le fabricant.** Un chargeur qui convient pour un type de batterie peut poser un risque d'incendie quand il est utilisé avec un autre type de batterie.
- b. N'utilisez les outils électriques qu'avec les batteries spécialement conçues pour ceux-ci.** En utilisant d'autres batteries vous pouvez causer des blessures et il y a un risque d'incendie.
- c. Quand la batterie n'est pas utilisée, il faut la garder éloignée des objets métalliques, tels que trombones, pièces, clés, clous, vis, ou autres petits objets métalliques qui peuvent établir le contact d'une borne à l'autre.** Un court-circuit des bornes de la batterie peut causer des brûlures ou un incendie.

d. Dans des conditions abusives, si du liquide est éjecté de la batterie, évitez tout contact. S'il y a un contact accidentel, rincez abondamment avec de l'eau. Si le liquide entre en contact avec les yeux, consultez immédiatement un médecin. Le liquide éjecté de la batterie peut causer des irritations ou des brûlures.

6. Révision

a. Faites réviser votre outil électrique par un réparateur qualifié qui n'utilise que des pièces de rechange identiques. Cela assurera la sécurité de l'outil électrique.

Conseils de sécurité spéciaux pour la visseuse

Tenez l'outil électrique par les surfaces de prise isolées quand vous effectuez un travail où l'élément de fixation risque d'entrer en contact avec des fils électriques cachés. Si l'élément de fixation entre en contact avec un fil électrique sous tension il peut « électricifier » les parties métalliques exposées de l'outil et donner une décharge électrique.

Branchez le chargeur de la batterie sur une prise secteur 230V. Rechargez la batterie uniquement avec le chargeur fourni. Avant de commencer un travail sur un mur, un plancher ou une autre surface similaire, assurez-vous que toutes les lignes électriques de la zone sont disjonctées au tableau de distribution principal. Utilisez un dispositif adéquat comme un appareil de détection de métal ou de ligne électrique. Si vous avez des doutes appelez un électricien qualifié ou votre fournisseur de service. L'outil tout comme les pièces peuvent chauffer considérablement pendant le perçage. Laissez refroidir suffisamment longtemps avant de toucher. Portez des gants appropriés.

Conseils de sécurité pour le chargeur

Important ! Danger ! Il y a 3 piles 1,2V Ni-cd dans la batterie de la visseuse. Ne jamais court-circuiter la batterie ou l'exposer à l'humidité. Ne la rangez pas avec des pièces métalliques qui pourraient court-circuiter les points de contact. La machine risquerait de chauffer, se mettre à brûler ou exploser.

Attention !

1. Cet outil n'est pas prévu pour être utilisé par des personnes (y compris les enfants) avec des capacités physiques, sensorielles ou mentales réduites, ou un manque d'expérience et de connaissances, sauf si elles bénéficient, par l'intermédiaire d'une personne responsable de leur sécurité, d'une supervision ou d'instructions concernant l'utilisation de l'outil.
2. Ne pas recharger avec des batteries non rechargeables

Étiquettes sur l'outil



Les pictogrammes suivant apparaissent sur l'outil :

Attention ! Pour réduire les risques de blessures, l'utilisateur doit lire le manuel d'instructions.



Le chargeur doit être utilisé uniquement à l'intérieur.



Avant d'utiliser cette machine lisez attentivement la totalité de ce manuel.

Sécurité électrique



Votre chargeur est doublement isolé; il n'y a donc pas besoin de faire une mise à la terre. Vérifiez si la tension de l'alimentation électrique est compatible avec la tension indiquée sur la plaque signalétique. N'essayez jamais de remplacer le chargeur par une fiche électrique normale.

- Si le cordon d'alimentation est endommagé ou défectueux il doit être réparé par le fabricant ou un réparateur BLACK+DECKER agréé afin d'éviter tout risque d'accident.

Caractéristiques

1. Support d'embout
2. Eclairage LED
3. Interrupteur
4. Interrupteur LED
5. Témoin de charge
6. Prise pour chargeur

Chargement de la batterie

Chargez comme indiqué, vous devez mettre la visseuse hors tension. Seulement le témoin rouge s'allume sur l'indicateur de mise sous tension quand vous mettez à charger. Temps de chargement : 1 à 3 heures.

Insertion de embouts

Important ! Mettez toujours la machine hors tension quand vous changez l'embout de vissage afin d'éviter un démarrage intempestif de la machine. Gâchette Marche/Arrêt.

Gâchette Marche/Arrêt

Servez-vous de la gâchette Marche/Arrêt pour démarrer la machine et appuyez continuellement dessus pendant la durée de l'opération.

Fonctionnement

1. Utilisation de la visseuse comme tournevis

Avant de vous servir de la machine vérifiez si l'embout est inséré correctement. Évitez de trop serrer la vis, sinon la tête de vis peut être détruite ou le filetage peut être abîmé.

2. Vissage

Réglez la rotation du tournevis sur le sens horaire. Insérez l'embout de vissage dans la fente de la tête de vis. Tenez l'embout de vissage perpendiculairement à la tête de vis, sinon vous risquez d'endommager la vis ou la tête de vis. Pendant le vissage appuyez l'embout de vissage contre la vis avec une pression constante. Lorsque le vissage est terminé, tenez l'outil fermement et relâchez la gâchette On/Off pour ne pas endommager la vis ou la tête de vis. Si la gâchette On/Off n'est pas immédiatement relâchée un couple trop important peut aussi endommager l'embout de vissage ou le tournevis.

3. Dévissage

Réglez la rotation du tournevis sur le sens antihoraire. Insérez l'embout de vissage dans la fente de la tête de vis. Tenez l'embout de vissage perpendiculairement à la tête de vis, sinon vous risquez d'endommager la vis ou la tête de vis. Pendant le dévissage appuyez l'embout de vissage contre la vis avec une pression constante.

Entretien et nettoyage

Attention ! Enlevez toujours la batterie avant de faire tout travail d'entretien sur la machine.

Pour nettoyer, utilisez toujours un chiffon sec ou humide, mais pas mouillé. De nombreux produits de nettoyage contiennent des substances chimiques qui peuvent détériorer les pièces de la machine qui sont en plastique. Il ne faut donc pas utiliser des produits de nettoyage puissants ou inflammables tels que le pétrole, le diluant de peinture, la térébenthine ou des produits de nettoyage similaires.

Veillez à ce que les fentes de ventilation soient toujours dégagées des dépôts de poussière pour éviter le surchauffage.

Batteries



BLACK+DECKER batteries can be recharged many times. At the end of their useful life, discard batteries with due care for our environment:

- Run the battery down completely, then remove it from the tool.
- NiCd, NiMH and Li-Ion batteries are recyclable. Take them to any authorised repair agent or a local recycling station.

Données techniques

KC3610		
Tension nominale	V	3,6
Vitesse à vide	min ⁻¹	200
Poids	kg	0,26
Type de batterie	V	1.2 Ni-cd 600 mAh
Chargeur		HY-06
Tension nominale	V	220-240
Tension de sortie		DC6V
Temps de chargement		3 à 5 heures
Chargeur		HY06 Type 2
Tension d'entrée	V _{AC}	220-240
Tension de sortie	V _{DC}	6
Courant de sortie (DC)	mA	200

Protection de l'environnement



Collecte séparée. Ce produit ne doit pas être jeté avec les déchets domestiques normaux.

Si vous décidez de remplacer ce produit BLACK+DECKER, ou si vous n'en avez plus l'utilité, ne le jetez pas avec vos déchets domestiques. Rendez-le disponible pour une collecte séparée.



La collecte séparée des produits et emballages usés permet le recyclage des articles afin de les utiliser à nouveau. Le fait d'utiliser à nouveau des produits recyclés permet d'éviter la pollution environnementale et de réduire la demande de matières premières.

Les réglementations locales peuvent permettre la collecte séparée des produits électriques du foyer, dans des déchetteries municipales ou auprès du revendeur vous ayant vendu votre nouveau produit.

BLACK+DECKER fournit un dispositif permettant de collecter et de recycler les produits BLACK+DECKER lorsqu'ils ont atteint la fin de leur cycle de vie. Pour pouvoir profiter de ce service, veuillez retourner votre produit à un réparateur agréé qui se chargera de le collecter pour nous.

Pour connaître l'adresse du réparateur agréé le plus proche de chez vous, contactez le bureau BLACK+DECKER à l'adresse indiquée dans ce manuel. Vous pourrez aussi trouver une liste des réparateurs agréés de BLACK+DECKER et de plus amples détails sur notre service après-vente sur le site Internet à l'adresse suivante : www.2helpU.com

Garantie

BLACK+DECKER vous assure la qualité de ses produits et vous offre une garantie très étendue. Ce certificat de garantie est un document supplémentaire et ne peut en aucun cas se substituer à vos droits légaux.

Si un produit BLACK+DECKER s'avère défectueux en raison de matériaux en mauvais état, d'une erreur humaine, ou d'un manque de conformité dans les 24 mois suivant la date d'achat, BLACK+DECKER garantit le remplacement des pièces défectueuses, la réparation des produits usés ou cassés ou remplace ces produits à la convenance du client, sauf dans les circonstances suivantes :

- Le produit a été utilisé dans un but commercial, professionnel, ou a été loué.
- Le produit a été mal utilisé ou avec négligence.
- Le produit a subi des dommages à cause de corps étrangers, de substances ou d'accidents.
- Des réparations ont été tentées par des techniciens ne faisant pas partie du service technique de BLACK+DECKER.

Pour avoir recours à la garantie, il est nécessaire de fournir une preuve d'achat au vendeur ou à un réparateur agréé.

Pour connaître l'adresse du réparateur agréé le plus proche de chez vous, contactez le bureau BLACK+DECKER à l'adresse indiquée dans ce manuel. Vous pourrez aussi trouver une liste de réparateurs agréés de BLACK+DECKER et de plus amples détails sur notre service après-vente sur le site Internet à l'adresse suivante : www.2helpU.com

Visitez notre site Web www.blackanddecker.eu pour enregistrer votre nouveau produit BLACK+DECKER et être informé des nouveaux produits et des offres spéciales. Pour plus d'informations concernant la marque BLACK+DECKER et notre gamme de produits, consultez notre site www.blackanddecker.eu.

الضمان

تتفق بلاك أند ديكر بجودة منتجاتها وتقدم ضماناً مميّزاً، ويكون بيان الضمان هذا بالإضافة ولا يخل بأي حال من الأحوال بالحقوق القانونية.

إذا أصبح منتج بلاك أند ديكر معيباً بسبب عيوب المواد والصناعة وعدم المطابقة، تضمن بلاك أند ديكر في غضون ٢٤ شهراً من تاريخ الشراء استبدال الأجزاء المعيبة وإصلاح المنتجات مع مراعاة البلي بالاستخدام العادي أو استبدال هذه المنتجات للتأكد من رضا العملاء ما لم:

- تم استخدام المنتج لأغراض تجارية أو مهنية أو للتأجير.
- إهمال أو إساءة استخدام المنتج.
- تعرض المنتج لتلف بسبب مواد أو أغراض غريبة أو الحوادث.
- محاولة إجراء عمليات الإصلاح من قبل الأشخاص الآخرين بخلاف وكلاء الإصلاح المصرح بهم أو فريق الخدمة التابع لبلاك أند ديكر.

للمطالبة بالضمان، يجب تقديم إثبات الشراء للبائع أو وكيل البيع المعتمد. ويمكنك معرفة مكان أقرب وكيل إصلاح معتمد بمراجعة مكتب بلاك أند ديكر المحلي في العنوان المشار إليه في الدليل. كما تتوفر قائمة بوكلاء الإصلاح المعتمدين لدى بلاك أند ديكر وبيانات خدمات ما بعد البيع والاتصال على الموقع الإلكتروني: www.2helpU.com

يرجى مراجعة موقعنا الإلكتروني www.blackanddecker.co.uk لتسجيل منتجك الجديد من بلاك أند ديكر ولمعرفة أحدث المنتجات والعروض الخاصة. وللحصول على المزيد من المعلومات حول علامة بلاك أند ديكر ومنجاتنا، يرجى زيارة www.blackanddecker.co.uk

الصيانة والتنظيف

تنبيه! قم دائماً بفك البطارية قبل تنفيذ أي أعمال على الجهاز.

لتنظيف الجهاز، استخدم دائماً منشفة جافة أو رطبة، ولكن ليست مبللة. تحتوي العديد من المنظفات على مواد كيميائية والتي قد تؤدي إلى تلف الأجزاء البلاستيكية الموجودة بالجهاز. ومن ثم لا تستخدم أي منظفات قوية أو قابلة للاشتعال مثل البنزين أو مخفف الدهان (الثنر) أو التريبتين أو المنظفات الأخرى.

حافظ دائماً على نظافة فتحات التهوية الموجودة على الجهاز لمنع فرط حرارة الجهاز.

البطاريات

بطاريات بلاك أند ديكر يمكن إعادة شحنها عدة مرات. في نهاية عمرها الافتراضي، تخلص من البطاريات مع مراعاة العناية الواجبة لحماية بيئتنا.

- استنفد طاقة البطارية بالكامل، ثم استخرجها من الجهاز.
- بطاريات النيكل كادميوم "NiCd" ونيكل الهيدريد المعدني "NiMH" والليثيوم أيون "Li-ion" قابلة لإعادة التدوير. سلمها لأي وكيل إصلاح معتمد أو محطة إعادة تدوير محلية.

البيانات الفنية

KC3610		
الجهد الكهربائي المقدر	فولط	٣,٦
السرعة بدون تحميل	دقيقة-١	٢٠٠
الوزن	كجم	٠,٢٦
خلية البطارية	فولط	١,٢ نيكال كوديموم ٦٠٠ مللي أمبير / ساعة
الشاحن		٠٦-HY
الجهد الكهربائي المقدر	فولط	٢٤٠-٢٢٠
الجهد الكهربائي الخارج		٦ فولط تيار مباشر
وقت الشحن		٣ - ٥ ساعات
الشاحن		النوع الثاني من HY٠٦
الجهد الكهربائي الداخل	فولط تيار متردد	٢٤٠-٢٢٠
الجهد الكهربائي الخارج	فولط تيار مباشر	٦
التيار الخارج (تيار مباشر)	مللي أمبير	٢٠٠

حماية البيئة

تجميع منفصل. يجب عدم إلقاء هذا المنتج مع المخلفات المنزلية.



إذا تبين لك في أحد الأيام بأنه يجب تبديل جهاز بلاك أند ديكر الخاص بك أو لم تعد بحاجة لاستخدامه. لا تتخلص منه مع المخلفات المنزلية. وقم بتوفير هذا المنتج للتجميع المنفصل.

يمكن التجميع المنفصل للمنتجات والعبوات المستخدمة من إعادة تدوير المواد واستخدامها مرة أخرى، إذ يساعد إعادة استخدام المواد المعاد تدويرها على منع التلوث البيئي وخفض الطلب على المواد الخام.



قد تنص التشريعات المحلية على تجميع منفصل للمنتجات الكهربائية عن المخلفات المنزلية في مواقع مخلفات البلدية أو تاجر التجزئة عند شراء منتج جديد.

توفر بلاك أند ديكر منشأة لتجميع وإعادة تدوير منتجات بلاك أند ديكر عند وصول تلك المنتجات لنهاية عمرها النافع. وللاستفادة من هذه الخدمة، يرجى إعادة المنتج إلى أي وكيل إصلاح معتمد الذي سيقوم بتجميع المنتجات نيابة عنا.

يمكنك معرفة مكان أقرب وكيل إصلاح معتمد بمراجعة مكتب بلاك أند ديكر المحلي في العنوان المشار إليه في الدليل. كما تتوفر قائمة بوكلاء الإصلاح المعتمدين لدى بلاك أند ديكر وبيانات خدمات ما بعد البيع والاتصال على الموقع الإلكتروني: www.2helpU.com

شحن البطارية

تحذيراً

قم بالشحن كما هو موضح، ويتعين إيقاف تشغيل مفك البراغي. عند الشحن تضيء اللمبة الحمراء فقط في مؤشر الكهرباء. زمن الشحن: ١ إلى ٣ ساعات.

إدخال لقم الجهاز

ملحوظة مهمة: قم دائماً بإيقاف تشغيل الجهاز قبل تغيير لقم البراغي لتفادي تشغيل مفتاح تشغيل / إيقاف تشغيل الجهاز بشكل غير مقصود.

مفتاح التشغيل / إيقاف التشغيل

استخدم مفتاح التشغيل / إيقاف التشغيل لبدء تشغيل الجهاز، واستمر في الضغط عليه لتشغيل المستمر.

التشغيل من أجل العمل

١. استخدام مفك البراغي في العمل كمفك براغي

قبل استخدام الجهاز، تحقق من تركيب لقمة البراغي بشكل صحيح. تجنب الإفراط في ربط البراغي، وإلا فقد تتلف رأس البرغي أو تنكسر أسنان اللولب.

٢. ربط البراغي

اضبط اتجاه دوران مفك البراغي في اتجاه عقارب الساعة. ثم أدخل لقمة البرغي في الشق الموجود على رأس البرغي. أمسك لقمة البرغي بصورة عمودية على رأس البرغي، وإلا قد يتسبب عدم الالتزام بتلك التعليمات في تلف البرغي أو رأسه. اضغط لقمة البرغي على البرغي مع الاستمرار أثناء ربط البرغي. عندما يكتمل ربط البرغي، أمسك الجهاز بإحكام وحرر زر بدء / إيقاف التشغيل، وإلا قد يتسبب عدم الالتزام بتلك التعليمات في تلف البرغي أو رأسه. في حالة عدم تحرير زر بدء / إيقاف التشغيل فوراً، فقد يتسبب العزم المرتفع في تلف لقمة البرغي أو مفك البراغي.

٣. فك البراغي

اضبط اتجاه دوران مفك البراغي في عكس اتجاه عقارب الساعة. ثم أدخل لقمة البرغي في الشق الموجود على رأس البرغي. أمسك لقمة البرغي بصورة عمودية على رأس البرغي، وإلا قد يتسبب عدم الالتزام بتلك التعليمات في تلف البرغي أو رأسه. اضغط لقمة البرغي على البرغي مع الاستمرار أثناء فك البرغي.

١. هذا الجهاز غير مخصص للاستخدام من قبل الأشخاص الذين يعانون من قصور في القدرات البدنية أو الحسية أو العقلية (بما في ذلك الأطفال) أو الذين يفتقرون إلى الخبرة والمعرفة، إلا إذا كانوا تحت إشراف المسؤول عن سلامتهم أو بتعليمات منه بخصوص استخدام الجهاز.

٢. لا تقم بإعادة شحن البطاريات غير القابلة للشحن.

الملصقات الموجودة على الجهاز

يحتوي الجهاز على الصور التوضيحية التالية:

تحذيراً لتقليل مخاطر الإصابة، يتعين على المستخدم قراءة دليل التعليمات.



الشاحن مخصص للاستخدام الداخلي فقط.



اقرأ هذا الدليل بالكامل جيداً قبل استخدام الجهاز.



السلامة الكهربائية

الشاحن معزول عزلاً مزدوجاً، لذلك ليست هناك حاجة إلى التأريض. يُرجى التحقق من توافق جهد التيار الكهربائي مع الجهد الموضح على لوحة التقنين. لا تحاول أبداً استبدال وحدة الشاحن بوحدة تناسب مقبس التيار الكهربائي العادي.



• عند تلف السلك الكهربائي، يجب استبداله بواسطة أحد مراكز الخدمة المعتمدة التابعة لشركة بلاك أند ديكر، لتفادي التعرض للمخاطر.

خصائص المنتج

١. حامل الجهاز

٢. لمبة المؤشر

٣. المفتاح

٤. مفتاح المؤشر

٥. مؤشر الشحن

٦. فتحة الشحن

٢. استخدم الأجهزة الكهربائية فقط مع البطاريات المصممة خصيصاً لها. قد يؤدي استخدام الأجهزة الكهربائية مع بطاريات أخرى إلى مخاطر وقوع إصابات أو حريق.
٣. في حالة عدم استخدام البطارية، احفظها بعيداً عن الأشياء المعدنية الأخرى مثل المشابك المعدنية أو العملات المعدنية أو المفاتيح أو المسامير أو البراغي أو الأشياء المعدنية الصغيرة الأخرى، والتي قد تؤدي إلى حدوث اتصال من طرف إلى آخر. قد يؤدي قصر الدائرة الكهربائية لأطراف البطارية معاً إلى مخاطر الإصابة بحروق أو مخاطر الحريق.
٤. في الظروف التعسفية، قد يخرج سائل من البطارية. تجنب ملامسة هذا السائل. في حالة ملامسة هذا السائل بالصدفة، اشطف الجزء الذي لامس السائل بالماء الفريز. وفي حالة ملامسة السائل للعينين، اطلب المساعدة الطبية أيضاً. قد يؤدي السائل المتسرب من البطارية إلى حدوث التهابات أو حروق.
٦. الخدمة
١. يلزم صيانة الجهاز الكهربائي من خلال شخص مؤهل لتنفيذ أعمال الصيانة باستخدام قطع الغيار المطابقة فقط. سوف يضمن ذلك الحفاظ على سلامة الجهاز الكهربائي.
- نصائح خاصة للسلامة عند استخدام مفك البراغي**
- امسك الجهاز الكهربائي من الأسطح المعزولة عند تنفيذ أي عملية يمكن أن تتلامس فيها لفحة الربط مع الأسلاك الكهربائية المخفية. يمكن للربط التي تتلامس مع سلك "يسري به التيار الكهربائي" أن تؤدي إلى تعريض الأجزاء المعدنية للجهاز الكهربائي للتيار الكهربائي، مما قد يعرض المشغل لصدمة كهربائية.
- قم بتوصيل شاحن البطارية بأخذ كهربائي بقدرة ٢٣٠ فولت فقط. أعد شحن البطارية فقط باستخدام الشاحن المزود مع الجهاز. وقبل بدأ أي أعمال على الجدران أو الأرضيات أو الأسطح المماثلة، تأكد من فصل جميع الخطوط الكهربائية الموجودة في منطقة العمل من اللوحة الرئيسية. استخدم الجهاز المناسب مثل جهاز الكثف عن المعادن أو الخطوط الكهربائية. في حالة الالتباس، يُرجى الاتصال بفني متخصص أو مزود الخدمة الخاص بك. قد ترتفع درجة حرارة الأجهزة وقطع العمل بشكل ملحوظ خلال عملية الثقب. اترك الجهاز فترة كافية ليبرد قبل مناولته، مع ارتداء القفازات المناسبة.
- نصائح السلامة للمشاحن**
- ملحوظة مهمة! خطراً! توجد أربع قطع بطاريات نيكال كادميوم ١,٢ فوات في مفك البراغي، ولا تقم أبداً بقصر الدائرة في البطارية أو تعريضها للطرطبة. ولا تخزن البطارية مع أي أجزاء معدنية والتي قد تؤدي إلى قصر الدائرة على أطراف التوصيل. قد ترتفع درجة حرارة الجهاز أو يبدأ في الاحتراق أو ينفجر.
- ز. إذا كان الجهاز مزوداً بقطع لشطف الأتربة وتجميعها، تأكد من أن هذه القطع مثبتة في الجهاز بطريقة سليمة. استخدام هذه القطع يمكن أن يقلل المخاطر المتصلة بالأتربة.
- ٤ استخدام الأجهزة التي تعمل بالطاقة والعناية بها
- أ. لا تستخدم الجهاز في غير الغرض الذي صمم له. استخدم الجهاز المناسب للغرض المناسب. الجهاز المناسب تحصل على نتيجة أفضل والاستخدام الآمن الذي صممت له.
- ب. لا تستخدم الجهاز الذي يعمل بالطاقة إذا لم يكن زر غلقه وتشغيله يعمل. أي جهاز كهربائي لا يفتح ويغلق من الزر المخصص لهذا الغرض يعد خطراً ويجب إصلاحه.
- ج. انزع المقبس من مخرج الكهرباء قبل القيام بأي تعديلات أو تغيير القطع أو التخزين. مثل هذه الإجراءات الاحتياطية تحد من مخاطر تشغيل الجهاز دون قصد.
- د. عند عدم استخدامها، قم بتخزين الأجهزة التي تعمل بالطاقة بعيداً عن الأطفال ولا تسمح لأي شخص غير معتمد على التعامل مع الجهاز ولم يطعم على هذه الإرشادات بان يقوم بتشغيل الجهاز. الأجهزة التي تعمل بالطاقة تشكل خطراً إذا تركت في أيدي غير المدربين.
- هـ. قم بصيانة الأجهزة التي تعمل بالطاقة. تأكد من أن جميع القطع المتحركة في وضعها الصحيح ومثبتة جيداً، وراجع الجهاز بحثاً عن أي جزء مكسور يمكن أن يؤثر على عمل الجهاز. إذا وجدت تلفاً، يجب إصلاح الجهاز قبل الاستخدام. كثير من الحوادث تقع بسبب عدم صيانة الأجهزة التي تعمل بالطاقة.
- و. حافظ على الأجزاء القاطعة حادة ونظيفة. الأجزاء القاطعة ذات الشفرات العادة التي تتم صيانتها عادة لا تنثني بسهولة ويسهل التحكم فيها.
- ز. استخدام الجهاز الذي يعمل بالطاقة، وقطعه الكاملة وأجزائه، الخ بما يتفق مع هذه الإرشادات ومع الطريقة المخصصة للاستخدام لهذا النوع من الأجهزة، مع الأخذ في الاعتبار بيئة العمل ونوع العمل المطلوب.
- استخدام الأجهزة في أغراض غير المخصصة لها قد ينتج عنه مخاطر.
- ٥ استخدام الجهاز الذي يعمل بالبطارية والعناية به
١. اشحن الجهاز فقط باستخدام الشاحن المزود من جانب الشركة المصنعة. قد يؤدي الشاحن المناسب لنوع واحد من البطاريات إلى مخاطر وقوع حريق عند استخدامه مع بطارية أخرى.

٢. استخدم الأجهزة الكهربائية فقط مع البطاريات المصممة خصيصاً لها. قد يؤدي استخدام الأجهزة الكهربائية مع بطاريات أخرى إلى مخاطر وقوع إصابات أو حريق.
٣. في حالة عدم استخدام البطارية، احفظها بعيداً عن الأشياء المعدنية الأخرى مثل المشابك المعدنية أو العملات المعدنية أو المغناطيس أو المسامير أو البراغي أو الأشياء المعدنية الصغيرة الأخرى، والتي قد تؤدي إلى حدوث اتصال من طرف إلى آخر. قد يؤدي قصر الدائرة الكهربائية لأطراف البطارية معاً إلى مخاطر الإصابة بحروق أو مخاطر الحريق.
٤. في الظروف التعسفية، قد يخرج سائل من البطارية، تجنب ملامسة هذا السائل. في حالة ملامسة هذا السائل بالصدفة، اشطف الجزء الذي لامس السائل بالماء العذب. وفي حالة ملامسة السائل للعينين، اطلب المساعدة الطبية أيضاً. قد يؤدي السائل المتسرب من البطارية إلى حدوث التهابات أو حروق.
٦. الخدمة
١. يلزم صيانة الجهاز الكهربائي من خلال شخص مؤهل لتنفيذ أعمال الصيانة باستخدام قطع الغيار المطابقة فقط. سوف يضمن ذلك الحفاظ على سلامة الجهاز الكهربائي.

نصائح خاصة للسلامة عند استخدام مفك البراغي

- امسك الجهاز الكهربائي من الأسطح المعزولة عند تنفيذ أي عملية يمكن أن تتلامس فيها لفة الربط مع الأسلاك الكهربائية المخفية. يمكن للقم الربط التي تتلامس مع سلك "يسري به التيار الكهربائي" أن تؤدي إلى تعريض الأجزاء المعدنية للجهاز الكهربائي للتيار الكهربائي، مما قد يعرض المشغل لصدمة كهربائية.
- قم بتوصيل شاحن البطارية بمأخذ كهربائي بقدرة ٢٣٠ فولت فقط. أعد شحن البطارية فقط باستخدام الشاحن المزود مع الجهاز. وقبل بدأ أي أعمال على الجدران أو الأرضيات أو الأسطح المماثلة، تأكد من فصل جميع الخطوط الكهربائية الموجودة في منطقة العمل من اللوحة الرئيسية. انحص موقع حفرة المنقب المقترحة للتحقق من عدم وجود أي خطوط مرافق (مثل المياه والغاز) قبل الثقب. استخدم الجهاز المناسب مثل جهاز الكشف عن المعادن أو الخطوط الكهربائية. في حالة الالتباس، يرجى الاتصال بفني متخصص أو مزود الخدمة الخاص بك. قد ترتفع درجة حرارة الأجهزة وقطع العمل بشكل ملحوظ خلال عملية الثقب. اترك الجهاز فترة كافية ليبرد قبل متاولته، مع ارتداء القفازات المناسبة.

نصائح السلامة للشاحن

- ملحوظة مهمة! خطراً! توجد أربع قطع بطاريات نيكال كادميوم ١,٢ فوات في مفك البراغي، ولا تقم أبداً بقصر الدائرة في البطارية أو تعريضها للربط. ولا تخزن البطارية مع أي أجزاء معدنية والتي قد تؤدي إلى قصر الدائرة على أطراف التوصيل. قد ترتفع درجة حرارة الجهاز أو يبدأ في الاحتراق أو ينفج.

ز إذا كان الجهاز مزوداً بقطع لشفط الأتربة وتجميعها، تأكد من أن هذه القطع مثبتة في الجهاز بطريقة سليمة. استخدام هذه القطع يمكن أن يقلل المخاطر المتصلة بالأتربة.

٤ استخدام الأجهزة التي تعمل بالطاقة والعناية بها

أ لا تستخدم الجهاز في غير الغرض الذي صمم له. استخدم الجهاز المناسب للغرض المناسب. الجهاز المناسب تحصل على نتيجة أفضل والاستخدام الآمن الذي صممت له.

ب لا تستخدم الجهاز الذي يعمل بالطاقة إذا لم يكن زر غلقه وتشغيله يعمل. أي جهاز كهربائي لا يفتح ويفلق من الزر المخصص لهذا الغرض يعد خطراً ويجب إصلاحه.

ج انزع المقبس من مخرج الكهرباء قبل القيام بأي تعديلات أو تغيير القطع أو التخزين. مثل هذه الإجراءات الاحتياطية تحد من مخاطر تشغيل الجهاز دون قصد.

د عند عدم استخدامها، قم بتخزين الأجهزة التي تعمل بالطاقة بعيداً عن الأطفال ولا تسمح لأي شخص غير معتمد على التعامل مع الجهاز ولم يطلع على هذه الإرشادات بأن يقوم بتشغيل الجهاز. الأجهزة التي تعمل بالطاقة تشكل خطراً إذا تركت في أيدي غير المدربين.

ه قم بصيانة الأجهزة التي تعمل بالطاقة. تأكد من أن جميع القطع المتحركة في وضعها الصحيح ومثبتة جيداً، وراجع الجهاز بحثاً عن أي جزء مكسور يمكن أن يؤثر على عمل الجهاز. إذا وجدت تلفاً، يجب إصلاح الجهاز قبل الاستخدام. كثير من الحوادث تقع بسبب عدم صيانة الأجهزة التي تعمل بالطاقة.

و حافظ على الأجزاء القاطعة حادة ونظيفة. الأجزاء القاطعة ذات الشفرات الحادة التي تتم صيانتها عادة لا تنشئ بسهولة ويسهل التحكم فيها.

ز استخدام الجهاز الذي يعمل بالطاقة، وقطعه المكمل وأجزائه، بما يتفق مع هذه الإرشادات ومع الطريقة المخصصة للاستخدام لهذا النوع من الأجهزة، مع الأخذ في الاعتبار بيئة العمل ونوع العمل المطلوب. استخدام الأجهزة في أغراض غير المخصصة لها قد ينتج عنه مخاطر.

٥ استخدام الجهاز الذي يعمل بالبطارية والعناية به

١ اشحن الجهاز فقط باستخدام الشاحن المزود من جانب الشركة المصنعة. قد يؤدي الشاحن المناسب لنوع واحد من البطاريات إلى مخاطر وقوع حريق عند استخدامه مع بطارية أخرى.

الغرض من الاستخدام

صُمم مفك البراغي KC3110 من بلاك + ديكر خصيصاً لاستخدامات ربط البراغي وفكها. هذا الجهاز مصمم لاستخدام المستهلكين فقط.

إرشادات السلامة

تحذيرات السلامة العامة عند استخدام الأجهزة الكهربائية



تحذيراً يجب قراءة كافة تحذيرات وإرشادات السلامة. إذ قد يؤدي عدم الالتزام بالإرشادات والتعليمات المبينة أدناه إلى خطر التعرض لصدمة كهربائية و/أو إصابات خطيرة.

احتفظ بجميع تحذيرات وإرشادات السلامة للرجوع إليها مستقبلاً.

يشير مصطلح "جهاز كهربائي" حينما ورد في الإرشادات المبينة أدناه إلى جميع الأجهزة الكهربائية التي تعمل بالكهرباء (السلكية) أو بالبطارية (اللاسلكية).

3 السلامة الشخصية

1 حيز العمل

أ يجب أن يكون حيز العمل نظيفاً وجيد الإضاءة. العمل في الأماكن الفوضوية والمظلمة قد يتسبب في حوادث.

ب لا تستخدم الأجهزة التي تعمل بالكهرباء في أجواء قابلة للاشتعال، على سبيل المثال في وجود سوائل أو غازات سريعة الاشتعال أو غبار، لأن الأجهزة التي تعمل بالطاقة تصدر شرارات قد تؤدي إلى إشعال الأبخرة أو الغبار.

ج اطلب من الأطفال أو من يقفون حولك الابتعاد أثناء تشغيل الآلة. تشتت الانتباه قد يؤدي إلى فقد التحكم في الآلة.

2 السلامة ضد أخطار الكهرباء

أ يجب أن يكون حجم المقبض مناسباً لحجم مخرج الكهرباء. لا تجري أي تعديلات من أي نوع على المقبض. لا تستخدم وصلة مقابض مع الأجهزة التي تعمل

ب الطاقة المتصلة بالأرضي. عدم تعديل المقابض واستخدام مخرج كهرباء مناسب يحد من مخاطر الصدمات الكهربائية.

ب تجنب أن يكون جسمك ملامساً لأي سطح متصل بالأرض مثل المواسير والمشعاع، والموقد، والثلاجة. تزداد مخاطر الصدمة الكهربائية إذا كنت متصلاً بالأرض.

ج لا تعرض الأجهزة التي تعمل بالطاقة إلى المطر أو

البلل. دخول الماء إلى هذه الأجهزة يرفع من مخاطر الصدمة الكهربائية.

د لا تسيء استخدام السلك. لا تحمل الجهاز أو تجره من السلك، ولا تجذب السلك لتتزع المقبض من مخرج الكهرباء. أبق السلك بعيداً عن الحرارة والزيوت والحواف الحادة. تلف السلك أو تشابكه يزيد من مخاطر الصدمة الكهربائية.

ه عند استخدام الجهاز العامل بالطاقة خارج المنزل، استخدم سلك إطالة مناسب للاستخدام خارج المنزل. سلك الإطالة المناسب للاستخدام خارج المنزل يحد من مخاطر الصدمة الكهربائية.

و إذا تعذر تجنب تشغيل الجهاز الكهربائي في الأجواء الرطبة، استخدم مفتاح للوقاية من الغبار المتخلف. إذ إن استخدام ذلك المفتاح يقلل من خطر التعرض للصدمة الكهربائية.

أ يجب أن تكون يقظاً ومنتبهاً لما تفعله ويجب أن تحسن تمييز الأمور أثناء استخدام الأجهزة التي تعمل بالطاقة. لا تستخدم هذه الأجهزة وأنت متعب أو تحت تأثير المخدرات أو الكحول أو العقاقير الطبية. لحظة من عدم الانتباه أثناء استخدام جهاز كهربائي قد تؤدي إلى إصابات خطيرة.

ب استخدم معدات الأمان. ارتد واقياً للعينين دائماً. استخدام معدات الأمان مثل القناع المضاد للغبار، وحقاء الأمان المانع للترشح، والخوذة، وغطاء الأذن يحد من مخاطر حدوث الإصابات.

ج اخذ التشغيل المفاجئ للجهاز الكهربائي وذلك بالتأكد من غلق الجهاز قبل توصيله بالتيار الكهربائي و/أو حزمة البطارية. وقبل رفعه أو حمله، يؤدي وضع إصبعك على مفتاح التشغيل أثناء حمل الجهاز الكهربائي أو توصيل الجهاز بالشبكة الكهربائية عندما يكون قيد التشغيل إلى وقوع الحوادث.

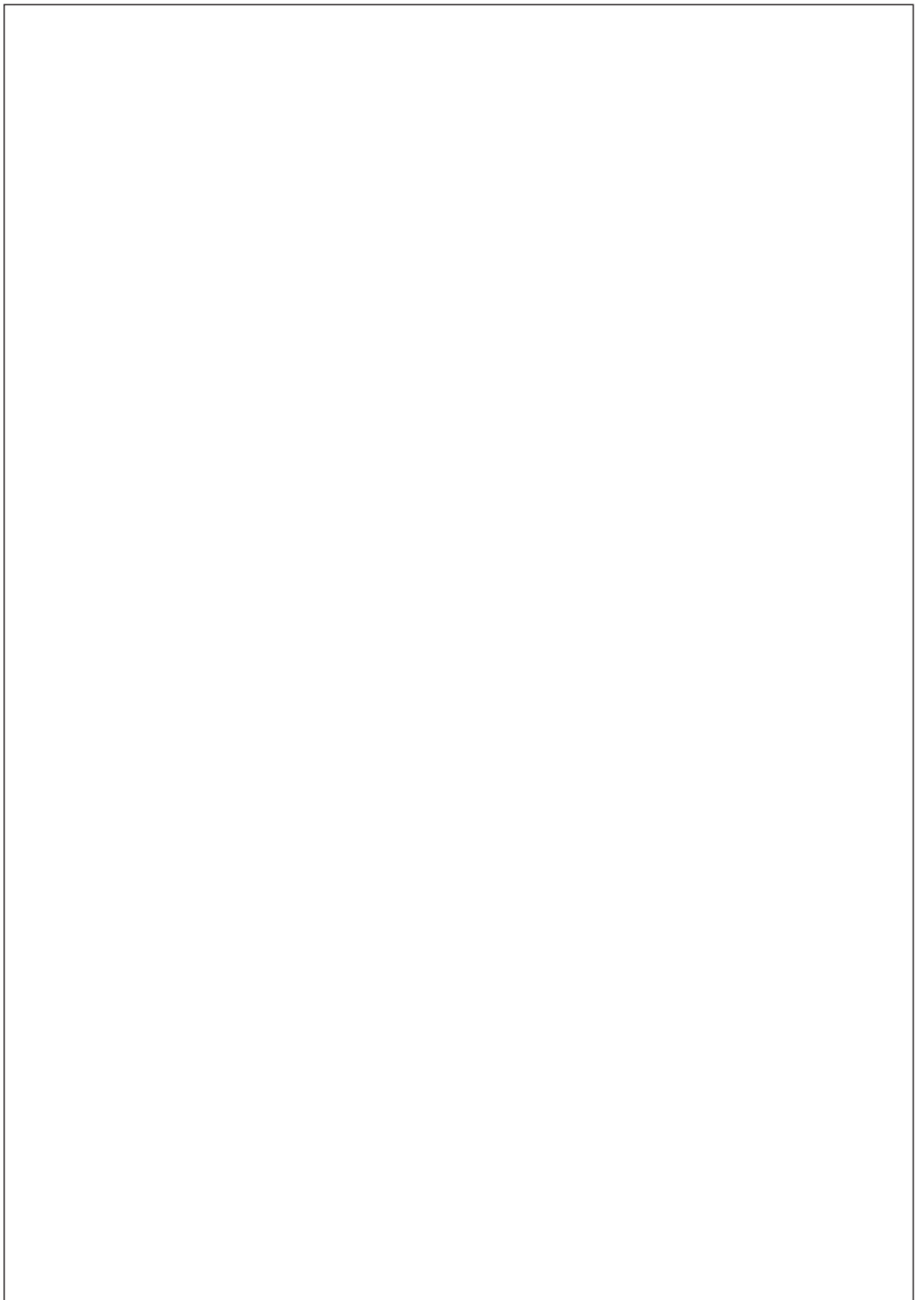
د انزع أي مفك أو مفتاح براغي قبل بدء تشغيل الجهاز الذي يعمل بالطاقة. وجود مفتاح براغي في الجزء الدوار من الجهاز عند التشغيل قد يتسبب في إصابات شخصية.

ه لا تمد قامةك لتصل إلى أماكن أبعد. أبق قدميك ثابتتين وجسمك متوازناً في كل الأوقات، هذا يزيد من قدرتك على التحكم في الجهاز الذي يعمل بالطاقة عند حدوث موقف غير متوقع.

و ارتد ملابس مناسبة. لا تلبس ملابس واسعة أو مجوهرات. أبق شعرك وملابسك وقفاً راتك بعيدة عن الأجزاء المتحركة. الملابس الواسعة والمجوهرات والشعر الطويل قد تعلق في الأجزاء المتحركة.

Names & Addresses for Black & Decker Service Concessionaries

ALGERIA: SARL Outillage Corporation, After Sale Service Center-08, Rue Mohamed Boudiaf - Cheraga, Algiers, Algeria, Tel: +213 21 375131, Fax: +213-0-369667. **AZERBAIJAN:** Kontakt - NN LLC, M.Qashqay 43, Baku, Azerbaijan Az1000. Tel: +994 12 4082050, Fax: +994 12 4117090. **BAHRAIN:** Alfouz Services Co. WLL., P.O. Box 26562, Tubli, Manama, Tel: +973-17783562/ 17879987, Fax: +973-17783479. Kewalram & Sons Co. WLL P.O. Box 84, Manama, Kingdom of Bahrain, Tel: +973-17213110/ 17210617/ 17210619, Fax: +973-17213211/ 17210627. **BANGLADESH:** Ultra Corporation, 8, Kushol Centre, Uttara, Dhaka 1230. Tel: +880-2-8922144, Fax: +880-2-8951339. **EGYPT:** Anasia - Egypt for Trading S.A.E., 9, Mostafa Refaat St., Sheraton Heliopolis Bldgs., Cairo, Egypt, P.O.Box 2443 Heliopolis 11361, Tel. : (202) 268 4159, Fax.: (202) 268 4169, www.anasia.com. **ETHIOPIA:** Seif Sherif Trade PLC -Arada Sub City, Kebele 01-02, Global Insurance Bldg., 2nd Flr. Room 43, P.O.Box 2525, Addis Ababa, Ethiopia, Tel: 00-251-11-1563968/ 1563969, Fax: 00-251-11-1558009. **INDIA:** Gryphon Appliances Ltd., D-6/4, Okhla Industrial Area, Phase-I, New Delhi-110020, Tel: +91-11-46731111, Fax: +91-11-46731111. **JORDAN:** Bashiti Hardware, 93 King Abdullah 2nd St., Opp EL-BA House, P.O. Box 3005, Tel: +962-6-5349098 ext.11, Fax: +962-6-5330731. **KENYA:** Leading Concepts, P.O. Box: 40877-00100, Nairobi, Kenya. Tel: +254 20 690 5000, Fax: +254 20 690 5111. **KUWAIT:** Al Omar Technical Co., P.O. Box 4062, Safat 13041, Kuwait, Tel: 00965-24848595/ 24840039, Fax: 00965-24845652. The Sultan Centre, P.O. Box 26567-13126 Safat, Kuwait, Tel: 00965-24343155 Etn. 432, Fax: 00965-24319071. **LEBANON:** Aces Service Centre, P.O. Box 90-102, Nahr El Mot, Seaside Highway, Pharaon Building, Beirut. Tel: 00961-1-898989, Fax: 00961-1-245880. **LIBYA:** Homeworld Co., Building No.5, Senidal St., Amr Ibn Elaas Road, Benghazi, Libya. Tel: 00218-61-9094183. Service Center1 - Benghazi: Tel: +218-061-3383994, Fax: +218-092-7640688, Service Center2 - Tripoli: Tel: +218-021-3606430, Fax: +218-092-6514813. **MALTA:** John G Cassar Ltd. 36-Victory Street, Qormi QRM 06, Malta. Tel: +356-21493251, Fax: +356-21483231. **MAURITIUS:** J.M. Goupille & Co. Ltd., Rogers Industrial Park 1, Riche Terre, Mauritius, Tel: +230 206 9450 / +230 207 1700, Fax: +230 206 9474/ +230 248 3188. **MOROCCO:** UATS 26 Rue Ennarjisse, Hay Erraihan, Beausejour - Hay Hassani-Casablanca, Morocco. Tel: +212 522945114, Fax: +212 522942442. **NEPAL:** Universal Electrocom, Tripureshwor, Kathmandu, Nepal. Tel: +977-1-4265191. **NIGERIA:** Dana Electronics Ltd. (Lagos) 116/ 120, Apapa Oshodi Express Way, Isolo, Lagos, Nigeria. Tel: +234-17431818/ +234-8037767774/ +234-8057445477. (Abuja) 18, A.E. Ekukinan Street, Off Obfsemi Awolowo Road, Utako, Abuja, Nigeria. Tel: +234-8032276101/ +234-8037767774. (Kano) 9A - Mai Malari Road, Bompai, Kano, Nigeria. Tel: +234-8053294947/ +234-8037767774. **OMAN:** Oman Marketing & Service Co. (Omasco), P.O. Box 2734, Behind Honda Showroom, Wattayah, Oman, Tel: +968-24560232/ 24560255, Fax: +968-24560993. Oman Marketing & Service Co. (Omasco), Al Ohi, Sohar, Oman, Tel: +968-26846379, Fax: +968-26846379. Oman Marketing & Service Co. (Omasco) - Sanaya, Salalah, Oman, Tel: 00968-23212290, Fax: +968-23210936. **PAKISTAN:** Ammar Service & Spares - 60-Bank Arcade, Serai Road, Karachi, Pakistan, Tel: 0092-21-32426905, Fax: 0092-21-32427214. **PHILIPPINES:** 476 J. P. Rizal St., cor Kakarong St. Brgy Olympia, Makati City, Tel: +632 403-5698. **QATAR:** Al Mufthah Service Centre - Al Wakrah Road, P.O. Box 875, Doha, Qatar. Tel: 00974-4650880/ 4650110/ 4446868, Fax: 00974-44441415/ 4662599. **SAUDI ARABIA:** (Al Khobar) Al-Suwaikat Catering & Trading Co., P.O.Box 4228, King A.Aziz Street, Al Khobar, Tel: +966-3-8591088, Fax: +966-3-8595648. Fawaz Ebrahim Al Zayani Trading Est. P.O. Box 76026, Al Khobar #31952, Tel: +966-3-8140914, Fax: +966-3-8140824. (Jeddah) Banaja Trading Co. Ltd, P.O. Box 366, Jeddah-21411, Tel: +966-2-6511111, Fax: +966-2-6503668. (Riyadh) Banaja Trading Co. Ltd, P.O. Box 566, Riyadh-11421, Tel: 00966-1-4124444, Fax: +966-1-4033378. **SOUTH AFRICA:** Trevco Power Tool Service 14 Steenbok Street, Koedoespoort, 0186, Pretoria, South Africa, Tel: +27-86-1873826, Fax: +27-86-5001771. **SRI LANKA:** Delmege Construction Products (Pvt) Ltd., No 101 Vinayalankara Mawatha, Colombo-10, Sri Lanka, Tel: +94-11-2693361-7, Service hotline: +94-77-2211111. **TUNISIA:** Société Tunisienne De Manutention - Rue de la Physique, Nouvelle Zone Industrielle de Ben Arous-2013 Tunisie, Tel: +216-71-386102/ 380620, Fax: +216-71380412 ext 216. **UGANDA:** Anisuma Investment and Services Ltd., J R complex, Ware House No.5, Plot No 101, 3rd Street Industrial Area, Jinja Road, Kampala, Tel: +256-414237106. **UAE: (Abu Dhabi)** Light House Electrical, P.O. Box 120, Abu Dhabi, Tel: +971-2-6726131, Fax: +971-2-6720667. (Aj Ain) Zillion Equipment and Spare Parts Trading LLC, P.O. Box 19740, Opp. Bin Sadal/Tirimix Redymix Sanaiya, Al Ain. Tel: +971-3-7216690, Fax:+971-3-7216103 (Dubai) Black & Decker (Overseas) GmbH, P.O. Box 5420, Dubai, Tel: +971-4-8127400/ 8127406, Fax: +971-4-2822765. (Musaffah) Light House Electrical, P.O. Box 120, Abu Dhabi, Tel: +971-2-5548315, Fax: +971-2-5540461. (Sharjah) Mc Coy Middle East LLC, P.O. Box 25793, Sharjah, Tel: +971-6-5395931, Fax: +971-6-5395932. (Ras Al Khaimah) Mc Coy Middle East LLC, P.O.Box 10584, Ras Al Khaimah, Tel: +971-7-2277095, Fax: +971-7-2277096. **YEMEN:** (Aden) Muala St., Tel: +967 2 222670, Fax: +967 2 222670. (Sana'a) Middle East Trad. Co. Ltd., P.O. Box 12363, Hayel Street, Sana'a. Tel: +967-1-204201, Fax: +967-1-204204. (Taiz) Middle East Trading Co. (METCO), 5th Flr. Hayel Saeed Anam Bldg, Al-Mugamma St. Taiz, Yemen, Tel: +967-4-213455, Fax: +967-4-219869.





WARRANTY REGISTRATION CARD

YOUR NAME/ الإسم

.....

YOUR ADDRESS العنوان

.....

.....

.....

POSTCODE الرمز البريدي

DATE OF PURCHASE تاريخ الشراء

DEALER'S NAME & ADDRESS/ إسم و عنوان البائع

.....

.....

PRODUCT MODEL NO. **KC3610**



