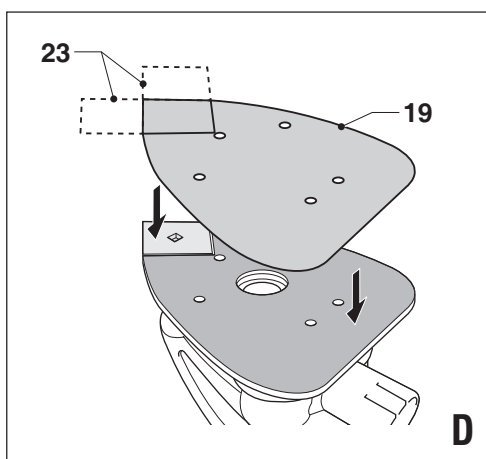
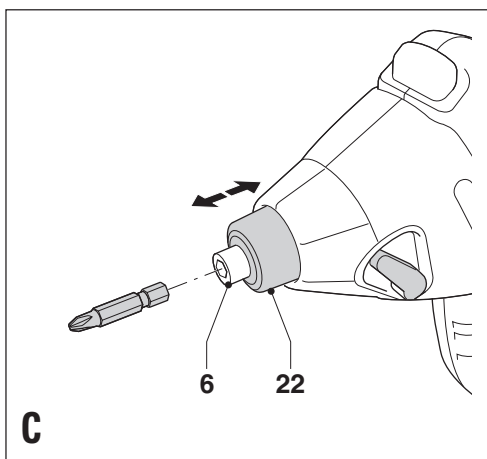
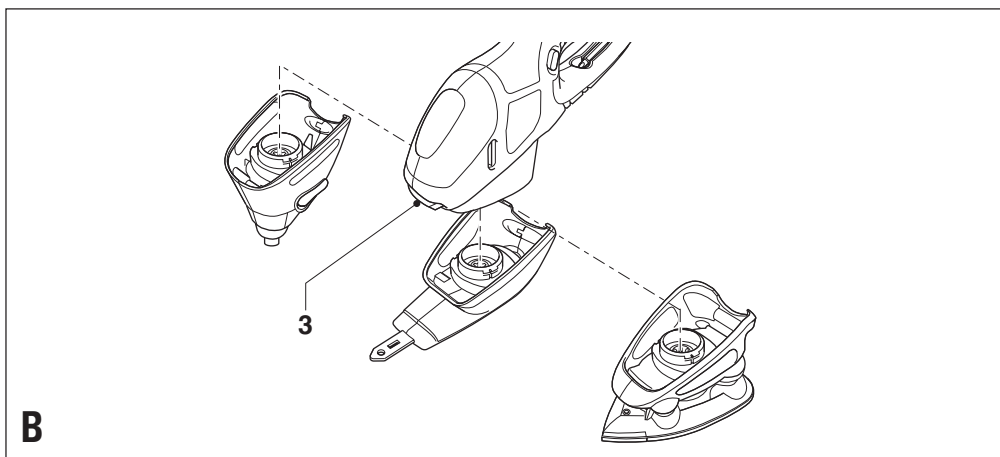
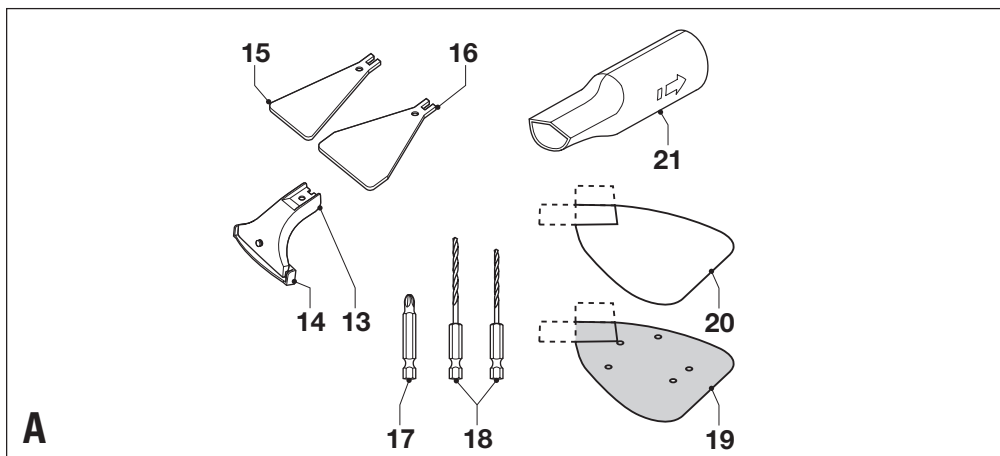


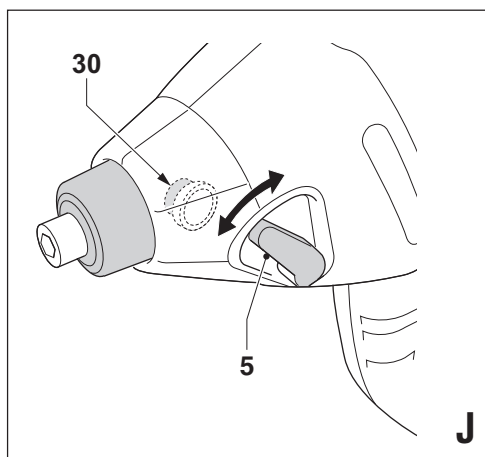
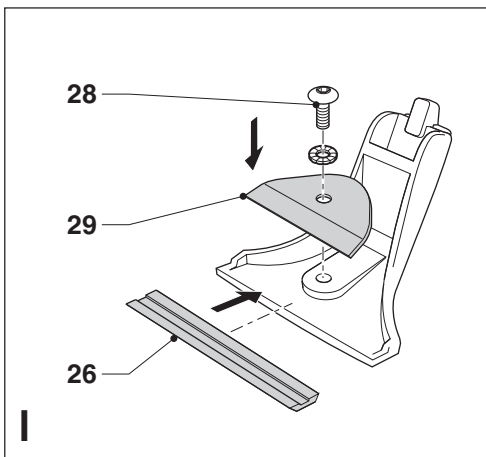
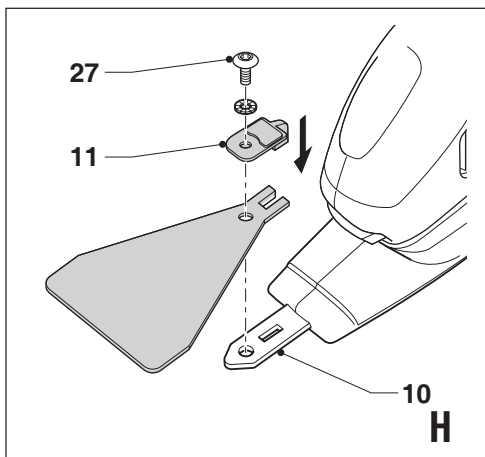
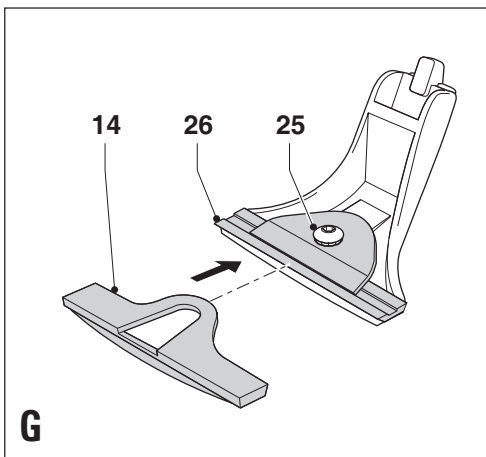
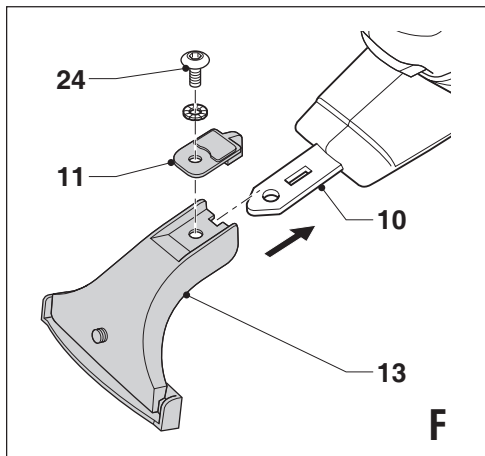
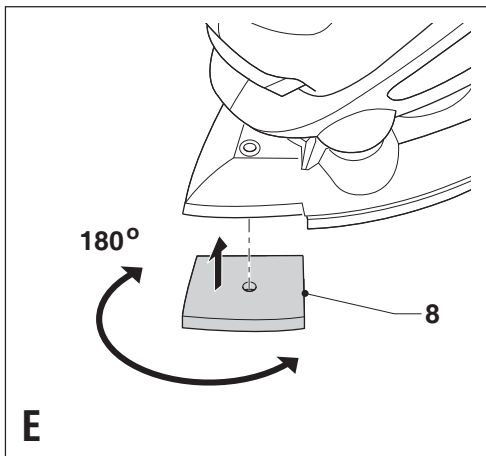
UK

Ireland

Australia

New Zealand





Intended use

Your Black & Decker multi-purpose tool has been designed for a wide range of DIY applications.

Using the screwdriver head, this tool is intended for screwdriving applications.

Using the sander head, this tool is intended for sanding wood, metal, plastics and painted surfaces.

Using the preparation head, this tool is intended for scraping decorating materials, such as paint layers and adhesives, from wood, metal and plastics.

This tool is intended for consumer use only.

General safety rules

Warning! Read all instructions. Failure to follow all instructions listed below may result in electric shock, fire and/or serious injury. The term “power tool” in all of the warnings listed below refers to your mains operated (corded) power tool or battery operated (cordless) power tool.

SAVE THESE INSTRUCTIONS.

1. Work area

- a. **Keep work area clean and well lit.** Cluttered and dark areas invite accidents.
- b. **Do not operate power tools in explosive atmospheres, such as in the presence of flammable liquids, gases or dust.** Power tools create sparks which may ignite the dust or fumes.
- c. **Keep children and bystanders away while operating a power tool.** Distractions can cause you to lose control.

2. Electrical safety

- a. **Power tool plugs must match the outlet. Never modify the plug in any way. Do not use any adapter plugs with earthed (grounded) power tools.** Unmodified plugs and matching outlets will reduce risk of electric shock.
- b. **Avoid body contact with earthed or grounded surfaces such as pipes, radiators, ranges and refrigerators.** There is an increased risk of electric shock if your body is earthed or grounded.
- c. **Do not expose power tools to rain or wet conditions.** Water entering a power tool will increase the risk of electric shock.
- d. **Do not abuse the cord. Never use the cord for carrying, pulling or unplugging the power tool. Keep cord away from heat, oil, sharp edges or moving parts.** Damaged or entangled cords increase the risk of electric shock.
- e. **When operating a power tool outdoors, use an extension cord suitable for outdoor use.** Use of a cord suitable for outdoor use reduces the risk of electric shock.

3. Personal safety

- a. **Stay alert, watch what you are doing and use common sense when operating a power tool. Do not use a power tool while you are tired or under the influence of drugs, alcohol or medication.** A moment of inattention while operating power tools may result in serious personal injury.
- b. **Use safety equipment. Always wear eye protection.** Safety equipment such as dust mask, non-skid safety shoes, hard hat, or hearing protection used for appropriate conditions will reduce personal injuries.
- c. **Avoid accidental starting. Ensure the switch is in the off position before plugging in.** Carrying power tools with your finger on the switch or plugging in power tools that have the switch on invites accidents.
- d. **Remove any adjusting key or wrench before turning the power tool on.** A wrench or a key left attached to a rotating part of the power tool may result in personal injury.
- e. **Do not overreach. Keep proper footing and balance at all times.** This enables better control of the power tool in unexpected situations.
- f. **Dress properly. Do not wear loose clothing or jewellery. Keep your hair, clothing and gloves away from moving parts.** Loose clothes, jewellery or long hair can be caught in moving parts.
- g. **If devices are provided for the connection of dust extraction and collection facilities, ensure these are connected and properly used.** Use of these devices can reduce dust related hazards.

4. Power tool use and care

- a. **Do not force the power tool. Use the correct power tool for your application.** The correct power tool will do the job better and safer at the rate for which it was designed.
- b. **Do not use the power tool if the switch does not turn it on and off.** Any power tool that cannot be controlled with the switch is dangerous and must be repaired.
- c. **Disconnect the plug from the power source before making any adjustments, changing accessories, or storing power tools.** Such preventive safety measures reduce the risk of starting the power tool accidentally.
- d. **Store idle power tools out of the reach of children and do not allow persons unfamiliar with the power tool or these instructions to operate the power tool.** Power tools are dangerous in the hands of untrained users.
- e. **Maintain power tools. Check for misalignment or binding of moving parts, breakage of parts and any other condition that may affect the power tools operation. If damaged, have the power tool repaired before use.** Many accidents are caused by poorly maintained power tools.

- f. Keep cutting tools sharp and clean.** Properly maintained cutting tools with sharp cutting edges are less likely to bind and are easier to control.
- g. Use the power tool, accessories and tool bits etc., in accordance with these instructions and in the manner intended for the particular type of power tool, taking into account the working conditions and the work to be performed.** Use of the power tool for operations different from those intended could result in a hazardous situation.
- 5. Service**
- a. Have your power tool serviced by a qualified repair person using only identical replacement parts.** This will ensure that the safety of the power tool is maintained.

Electrical safety



This tool is double insulated; therefore no earth wire is required. Always check that the power supply corresponds to the voltage on the rating plate.

Additional safety instructions for drill/screwdrivers

- ◆ Before drilling into walls, floors or ceilings, check for the location of wiring and pipes.
- ◆ Avoid touching the tip of a drill bit just after drilling, as it may be hot.

Additional safety instructions for sanders

- ◆ Always wear a dust mask whenever sanding.
- ◆ Thoroughly remove all dust after sanding.
- ◆ Take special care when sanding paint which is possibly lead based or when sanding some woods and metal which may produce toxic dust:
 - Wear a dust mask specifically designed for protection against lead paint dust and fumes and ensure that persons within or entering the work area are also protected.
 - Do not let children or pregnant women enter the work area.
 - Do not eat, drink or smoke in the work area.
 - Dispose of dust particles and any other debris safely.

Additional safety instructions for Australia and New Zealand

- ◆ This appliance is not intended for use by young or infirm persons without supervision. Children must be supervised to ensure they do not play with the appliance.
- ◆ If the supply cord is damaged, it must be replaced by the manufacturer or an authorised Black & Decker Service Centre in order to avoid a hazard.

Overview (fig. A)

This tool includes some or all of the following features.

Motor unit

1. On/off switch
2. Lock-on button
3. Head release button
4. Bit storage

Screwdriver head

5. Forward/reverse switch
6. Bit holder

Sander head

7. Sanding base
8. Sanding base tip
9. Dust extraction outlet

Preparation head

10. Mounting shaft
11. Clamp plate
12. Allen key storage

Fig. A

In addition, this tool is supplied with some or all of the following accessories.

13. Scraper head
14. Blade cover
15. Rigid parallel blade
16. Flexible parallel blade
17. Screw driver bit
18. Drill bits
19. Sanding sheet
20. Abrasive pad
21. Dust extraction adaptor

Assembly

Warning! Before assembly, make sure that the tool is switched off and unplugged.

Fitting and removing tool heads (fig. B)

The different tool heads can be easily exchanged.

- ◆ To remove a tool head, depress the head release button (3) and take the head off the tool.
- ◆ To fit a tool head, line it up with the tool as shown and push it onto the tool until it snaps into place.

Fitting and removing a screwdriver bit (fig. C)

- ◆ Pull the sleeve (22) backward.
- ◆ Insert the bit shaft into the bit holder (6) as far as it will go.
- ◆ Release the sleeve to secure the bit.
- ◆ To remove the bit, pull sleeve backward and pull the bit out firmly.

This tool is supplied with a screwdriver bit in the bit storage (4).

- ◆ To remove the screwdriver bit from the bit storage press the bit down into the bit holder recess (4), then lift the bit out.
- ◆ To store the screwdriver bit, firmly push it into the storage.

Fitting sanding sheets (fig. D)

- ◆ Detach the two diamond-shaped tips (23) from the sanding sheet (19).
- ◆ Hold the tool with the sanding base facing upwards.
- ◆ Place the sanding sheet (19) onto the sanding base, making sure that the holes in the sheet line up with the holes in the base.

The diamond-shaped tip (23) can be reversed and replaced when worn.

- ◆ When the front part of the tip is worn, detach it from the sheet, reverse it and press it onto the sanding base again.
- ◆ When the whole tip is worn, remove it from the sanding base and fit a new tip.

Warning! Never use the sanding head without a sanding sheet or accessory in place.

Tip of the sanding base (fig. E)

When the sanding base tip (8) is worn, it can be reversed or replaced. Spare parts are available from your Black & Decker dealer.

- ◆ Reverse or replace the worn part.

Fitting and removing the scraper head (fig. F)

- ◆ Slide the scraper head (13) onto the shaft (10).
- ◆ Align the tab on the clamp plate (11) with the slot in the shaft.
- ◆ Fit the clamp plate to the shaft by tightening the screw (24).
- ◆ To remove the head, remove the screw (19) and the clamp plate, and pull the head from the shaft.

Removing and fitting the blade cover (fig. G)

- ◆ Hold the blade cover (14) at the ends.
- ◆ Lift the blade cover slightly to release it from the screw (25) and pull the cover off. Take care not to contact the edges of the blade (26).
- ◆ To fit the blade cover, hold the cover at the ends and place it over the claw blade. Push the cover until it snaps into place.

Warning! Always keep the blade cover in place when the scraper head is not being used.

Fitting and removing a parallel blade (fig. H)

- ◆ Select the required parallel blade.
- ◆ Align the slot on the mounting end of the blade with the slot in the shaft (10).

- ◆ Align the tab on the clamp plate (11) with the slot in the shaft (10) and the blade.
- ◆ Fit the clamp plate to the shaft by tightening the screw (27).
- ◆ To remove the blade, remove the screw (19) and the clamp plate, and take the blade from the shaft.

Replacing the cutting blade (fig. I)

The cutting blade provided with this tool is reversible.

Replacement cutting blades can be obtained from your local retailer.

- ◆ Loosen the screw (28) and remove it.
- ◆ Remove the cutter clamp plate (29).
- ◆ Reverse the blade (26) so that the unused side comes in position. If both sides are worn, the blade must be replaced.
- ◆ Re-install the cutter clamp plate.
- ◆ Re-fit the screw and tighten it.

Use

Warning! Let the tool work at its own pace. Do not overload.

Warning! Do not cover the ventilation slots when using the tool to avoid overheating.

Selecting the direction of rotation (fig. J)

For tightening screws, use forward (clockwise) rotation.

For loosening screws, use reverse (counterclockwise) rotation.

- ◆ To select forward rotation, press the lock-off button (30) and push the forward/reverse switch (5) to the left.
- ◆ To select reverse rotation, press the lock-off button and push the forward/reverse switch to the right.

Warning! Never change the direction of rotation while the motor is running.

Switching on and off

- ◆ To switch the tool on, press the on/off switch (1).
- ◆ For continuous operation, press the lock-on button (2) and release the on/off switch.
- ◆ To switch the tool off, release the on/off switch.
- ◆ To switch the tool off when in continuous operation, press the on/off switch once more and release it.

Hints for optimum use

Screwdriving

- ◆ Always use the correct type and size of screwdriver bit.
- ◆ If screws are difficult to tighten, try applying a small amount of washing liquid or soap as a lubricant.
- ◆ Always hold the tool and screwdriver bit in a straight line with the screw.

Sanding

- ◆ Do not exert too much pressure on the tool.
- ◆ Regularly check the condition of the sanding sheet. Replace when necessary.
- ◆ When sanding new layers of paint before applying another layer, use extra fine grit.
- ◆ On very uneven surfaces, or when removing layers of paint, start with a coarse grit. On other surfaces, start with a medium grit. In both cases, gradually change to a fine grit for a smooth finish.
- ◆ Use the abrasive pad for removing rust.
- ◆ Consult your retailer for more information on available accessories for sanding, polishing, stripping and scrubbing.

Preparation

- ◆ Choose the correct type of blade for the application. Use the claw blade for loose or flaking paint. Use the flexible blade for soft materials. Use the rigid blade for hard materials.
- ◆ Push or pull the blade steadily over the surface material. Note that the blade will not move until it is pressed against the material.
- ◆ Do not exert too much pressure on the tool.

Maintenance

Your tool has been designed to operate over a long period of time with a minimum of maintenance. Continuous satisfactory operation depends upon proper tool care and regular cleaning.

- ◆ Regularly clean the ventilation slots in your tool using a soft brush or dry cloth.
- ◆ Regularly clean the motor housing using a damp cloth. Do not use any abrasive or solvent-based cleaner.

Mains plug replacement (U.K. & Ireland only)

If a new mains plug needs to be fitted:

- ◆ Safely dispose of the old plug.
- ◆ Connect the brown lead to the live terminal in the new plug.
- ◆ Connect the blue lead to the neutral terminal.

Warning! No connection is to be made to the earth terminal.

Follow the fitting instructions supplied with good quality plugs. Recommended fuse: 5 A.

Protecting the environment



Separate collection. This product must not be disposed of with normal household waste.

Should you find one day that your Black & Decker product needs replacement, or if it is of no further use to you, do not dispose of it with household waste. Make this product available for separate collection.



Separate collection of used products and packaging allows materials to be recycled and used again. Re-use of recycled materials helps prevent environmental pollution and reduces the demand for raw materials.

Local regulations may provide for separate collection of electrical products from the household, at municipal waste sites or by the retailer when you purchase a new product.

Black & Decker provides a facility for the collection and recycling of Black & Decker products once they have reached the end of their working life. To take advantage of this service please return your product to any authorised repair agent who will collect them on our behalf.

You can check the location of your nearest authorised repair agent by contacting your local Black & Decker office at the address indicated in this manual. Alternatively, a list of authorised Black & Decker repair agents and full details of our after-sales service and contacts are available on the Internet at: www.2helpU.com

Technical data

	MT3000K	
Voltage	V _{AC}	230
Power input	W	80
Screwdriver:		
No-load speed	min ⁻¹	250
Bit holder	mm	6.35 hex
Max. drilling capacity in steel/wood	mm	4.0-6.0
Sander:		
Oscillations (no load)	min ⁻¹	8,500
Preparation:		
Strokes (no load)	min ⁻¹	8,500
Weight		
with screwdriver head	kg	1.3
with sander head	kg	1.25
with preparation head	kg	1.25

EC declaration of conformity

MT3000K

Black & Decker declares that these products conform to:
98/37/EC, 89/336/EEC, 2002/95/EC, EN 60745, EN 55014,
EN 61000

L_{pA} (sound pressure) 80 dB(A), L_{WA} (acoustic power) 91 dB(A),
hand/arm weighted vibration 6,1 m/s²

K_{pA} (sound pressure uncertainty) 3 dB(A),
 K_{WA} (acoustic power uncertainty) 3 dB(A)



Kevin Hewitt
Director of Consumer Engineering
Spennymoor, County Durham DL16 6JG,
United Kingdom
1-12-2004

Please visit our website www.blackanddecker.co.uk to register your new Black & Decker product and to be kept up to date on new products and special offers. Further information on the Black & Decker brand and our range of products is available at www.blackanddecker.co.uk

Guarantee

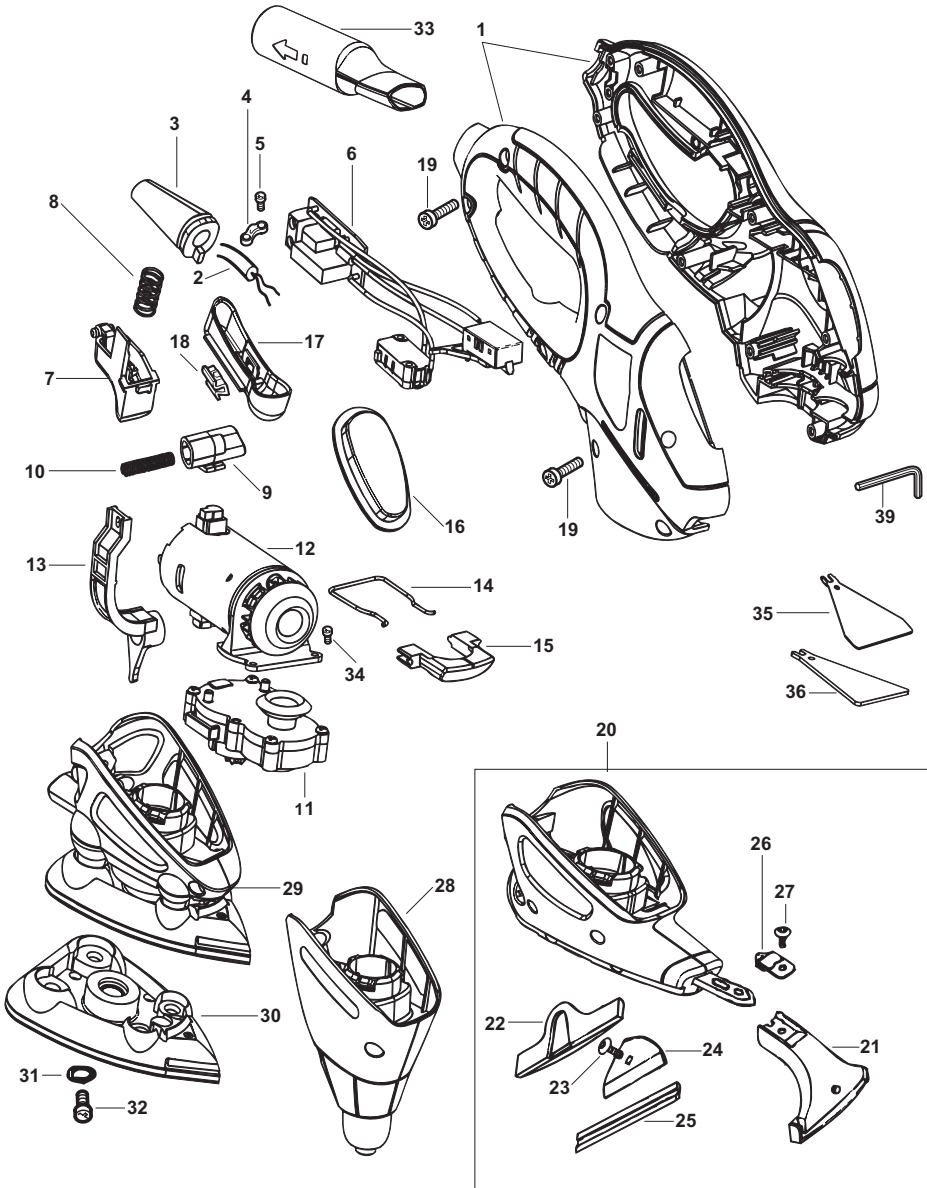
Black & Decker is confident of the quality of its products and offers an outstanding guarantee. This guarantee statement is in addition to and in no way prejudices your statutory rights. The guarantee is valid within the territories of the Member States of the European Union and the European Free Trade Area.

If a Black & Decker product becomes defective due to faulty materials, workmanship or lack of conformity, within 24 months from the date of purchase, Black & Decker guarantees to replace defective parts, repair products subjected to fair wear and tear or replace such products to ensure minimum inconvenience to the customer unless:

- ◆ The product has been used for trade, professional or hire purposes;
- ◆ The product has been subjected to misuse or neglect;
- ◆ The product has sustained damage through foreign objects, substances or accidents;
- ◆ Repairs have been attempted by persons other than authorised repair agents or Black & Decker service staff.

To claim on the guarantee, you will need to submit proof of purchase to the seller or an authorised repair agent. You can check the location of your nearest authorised repair agent by contacting your local Black & Decker office at the address indicated in this manual. Alternatively, a list of authorised Black & Decker repair agents and full details of our after-sales service and contacts are available on the Internet at:

www.2helpU.com



Australia

Black & Decker (Australia) Pty. Ltd. Tel. 03-8720 5100
20 Fletcher Road, Mooroolbark, Fax 03-9727 5940
Victoria, 3138

New Zealand

Black & Decker Tel. 09 579 7600
81 Hugo Johnston Drive Fax 09 579 8200
Penrose, Auckland, New Zealand

United Kingdom

Black & Decker Tel. 01753 511234
210 Bath Road Fax 01753 551155
Slough, Berkshire SL1 3YD Helpline 01753 574277