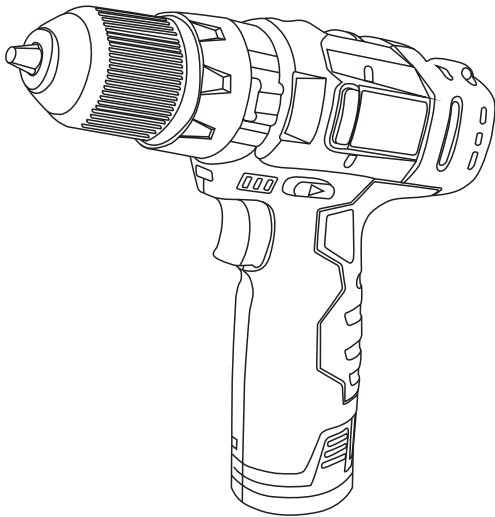


BLACK+ DECKER

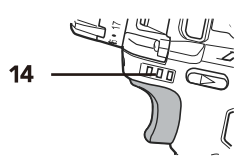
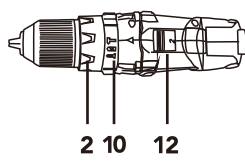
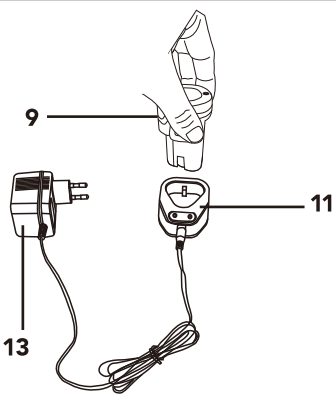
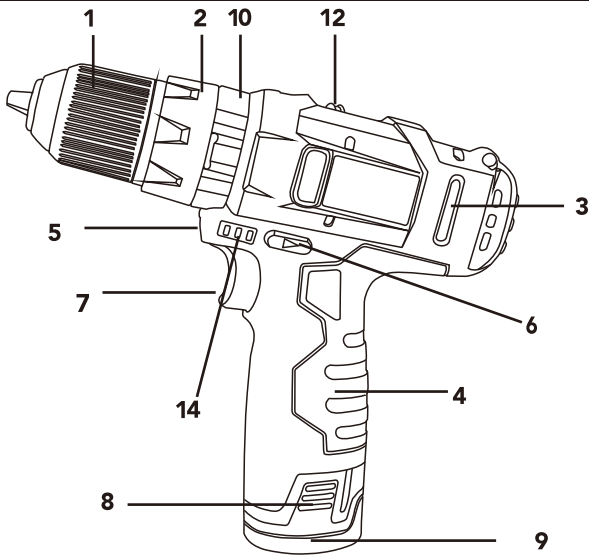
www.blackanddecker.com




BDCT108

English
한국어


03
09



Cordless Drill

 Read these ORIGINAL instructions carefully before switching on the appliance and keep them for future reference. Failure to follow and observe these instructions could lead to an accident.

GENERAL POWER TOOLS SAFETY WARNING

 **WARNING** Read all safety warnings and all instructions. Failure to follow the warnings and instructions may result in electric shock, fire and/or serious injury. Save all warnings and instructions for future reference. The term "power tool" in the warnings refers to your mainsoperated (corded) power tool or battery-operated (cordless) power tool.

Work Area Safety

- Keep the working area clean and well lit. Cluttered and dark areas invite accidents.
- Do not operate power tools in explosive atmospheres, such as in the presence of flammable liquids, gases or dust. Power tools create sparks which may ignite the dust or fumes
- Keep children and bystanders away while operating a power tool. Distractions can cause you to lose control

Electric safety

- Power tool plugs must match the outlet. Never modify the plug in any way. Do not use any adapter plugs with earthed (grounded) power tools. Unmodified plugs and matching outlets will reduce risk of electric shock
- Avoid body contact with earthed or grounded surfaces, such as pipes, radiators, ranges or refrigerators. There is an increased risk of electric shock if your body is earthed or grounded
- Do not expose power tools to rain or wet conditions. Water entering a power tool will increase the risk of electric shock
- Do not abuse the cord. Never use the cord for carrying, pulling or unplugging the power tool. Keep cord away from heat, oil, sharp edges or moving parts. Damaged or entangled cords increase the risk of electric shock

- When operating the power tool outdoors, use an extension cord suitable for outdoor use. Use a cord suitable for outdoor use reduces the risk of electric shock
- If operating a power tool in a damp location is unavoidable, use a residual current device (RCD) protected supply. Use of an RCD reduces the risk of electric shock

Personal safety

- Stay alert, Watch you are doing and use common sense when operating a power tool. Do not use a power tool while you are tired or under the influence of drugs, alcohol or medication. A moment of inattention while operating power tools may result in serious personal injury
- Use personal protective equipment. Always wear eye protection. Protective equipment such as dust mask, non-skid safety shoes, hard hat, or hearing protection used for appropriate conditions will reduce personal injuries.
- Prevent unintentional starting. Ensure the switch is in the off-position before connecting the power source and/or battery pack, picking up or carrying the tool. Carrying power tools with your finger on the switch or energizing power tools that have the switch on invites accidents
- Remove any adjusting key or wrench before turning the power tool on. A wrench or a key left attached to a rotating part of the power tool may result in personal injury
- Do not overreach. Keep proper footing and balance at all times. This enables better control of the power tool in unexpected situations
- Dress properly. Do not wear loose clothing or jewellery. Keep your hair, clothing and gloves away from moving parts. Loose clothes, jewellery or long hair can be caught in moving parts.
- If devices are provided for the connection of dust extraction and collection facilities, ensure these are connected and properly used. Use of dust collection can reduce dust-related hazards.

Power tool use and care

- Do not force the power tool. Use the correct power tool for your application. The correct power tool will do the job better and safer at the rate for which it was designed
- Do not use the power tool if the switch does not turn it on and off. Any power tool that cannot be controlled with the switch is dangerous and must be repaired
- Disconnect the plug from the power source and/or battery pack from the power tool before making any adjustments, changing accessories, or storing power tools. Such preventive safety measures reduce the risk of starting the power tool accidentally.

-Store idle power tool out of the reach of children and do not allow persons unfamiliar with the power tool or these instructions to operate the power tool. *Power tools are dangerous in the hands of untrained users*

-Maintain power tools. Check for misalignment or binding of moving parts, breakage of parts and any other condition that may affect the power tool's operation. If damaged, have the power tool repaired before use. *Many accidents are caused by poorly maintained power tools*

-Keep cutting tools sharp and clean. *Properly maintained cutting tools with sharp cutting edges are less likely to bind and are easier to control*

-Use the power tool, accessories and tool bits etc in accordance with these instructions, taking into account the working conditions and the work to be performed. *Use of the power tool for operations different from those intended could result in a hazardous situation.*

Battery tool use and care

- Recharge only with the charger specified by the manufacturer. A charger that is suitable for one type of battery pack may create a risk of fire when used with another battery pack.

- Use power tools only with specifically designated battery packs. Use of any other battery packs may create a risk of injury and fire.

- When battery pack is not in use, keep it away from other metal objects, like paper clips, coins, keys, nails, screws or other small metal objects, that can make a connection from one terminal to another. Shorting the battery terminals together may cause burns or a fire.

- Under abusive conditions, liquid may be ejected from the battery; avoid contact. If contact accidentally occurs, flush with water. If liquid contacts eyes, additionally seek medical help. Liquid ejected from the battery may cause irritation or burns.

Service

-Have your power tool serviced by a qualified repair person using only identical replacement parts. *This will ensure that the safety of the power tool is maintained*

-Any misuse or failure to follow the instructions for use renders the guarantee and the manufacturer's liability null and void.

Safety warnings for Drills and Screwdriver

- Hold power tool by insulated gripping surfaces, when performing an operation where the cutting accessory may contact hidden wiring or its own cord. Cutting accessory contacting a "live" wire may make exposed metal parts of the power tool "live" and could give the operator an electric shock.

- Switch off the power tool immediately when the tool insert jams. Be prepared for high reaction torque that can cause kickback. The tool insert jams when the power tool is subject to overload or it becomes wedged in the workpiece.

- Hold the machine with a firm grip. High reaction torque can briefly occur while driving in and loosening screws.

Protect the battery against heat, e. g., against continuous intense sunlight, fire, water, and moisture. Danger of explosion.

- In case of damage and improper use of the battery, vapours may be emitted. Ventilate the area and seek medical help in case of complaints. The vapours can irritate the respiratory system.

Additional safety warnings

- CAUTION: In order to prevent overheating do not cover the appliance.

- Ensure that neither the air access nor exit become either totally or partially covered by drapery, clothing, etc., as this increases the risk of fire.

- Do not use the appliance if the cable or plug is damaged.

- Ensure that the voltage indicated on the rating label matches the mains voltage before plugging in the appliance.

- If any of the appliance casings breaks, immediately disconnect the appliance from the mains to prevent the possibility of an electric shock.

- Do not use the appliance if it has fallen on the floor, if there are visible signs of damage or if it has a leak.

- CAUTION: Maintain the appliance dry.

- Check the state of the power cord. Damaged or tangled cables increase the risk of electric shock.

- If using the appliance outdoors, use a suitable cord extension.

- Do not touch the plug with wet hands.

- Use clamps or a vise to secure the object to be worked in place. The work will be safer if both hands are free to control the tool.

- Do not touch any of the appliance's moving parts while it is operating.

- Protect yourself from contact with and the inhalation of dust created by sanding wood and metal surfaces and surfaces coated with lead paint. Use protective equipment that complies with the appropriate health and safety regulations.

- When working in amianthus/asbestos and/or silica stone, the dust produced is extremely harmful to your health. Wear protection against inhalation of this dust, in compliance with current regulations on accident prevention.

- When working take care to avoid electric wires and gas or water pipes in order to avoid an electric shock.

- Fully unroll the appliance's power cable before each use.
- Do not use the appliance if its accessories are not properly fitted.
- Do not use the appliance if the accessories or consumables attached to it are defective. Replace them immediately.
- Do not use the appliance if the on/off switch does not work.
- Do not force the appliance's work capacity. Use the correct power tool for each application. The correct power tool will do the job better and safer at the rate for which it was designed.
- Do not open the battery/ies under any circumstances whatsoever.
- Do not short-circuit the battery terminals as this may cause an explosion or fire.
- The battery/ies should be stored at a temperature of below 40°C.
- Disconnect the battery charger from the mains when not in use and before undertaking any cleaning task.
- Remove the batteries from the appliance if you are not going to use it for some time.
- This appliance is not a toy. Children should be supervised to ensure that they do not play with the appliance.
- This appliance is intended for adult use. Ensure that this product is not used by the disabled, children or people unused to its handling.
- This appliance should be stored out of reach of children and/or the disabled.
- Keep the appliance in a dry, dust-free place, out of direct sunlight.
- Let the appliance running with no load for 30 seconds in a safe position. If you notice serious vibration or other defects stop the appliance immediately. Then check the problem and /or proceed as we describe on Anomalies and Repair clause.

Description

- 1 Keyless chuck
- 2 Torque adjustment ring.
- 3 Cooling vents
- 4 Soft grip
- 5 Power light
- 6 Forward/reverse switch
- 7 On / Off / speed adjustment switch
- 8 Battery release button
- 9 Battery
- 10 Function ring
- 11 Charger base
- 12 Gear Selector
- 13 Charger
- 14 Battery indicator

Installation

Charging the battery

- Caution: A new battery is not fully charged and must therefore be charged before the appliance is used for the first time.
- Caution: The power supplier for this charger should be protected by a residual current device (reted at 30mA or less). A residual current device reduces the risk of electric shock.
- Charge the battery at an atmospheric temperature of between 4 and 40°C.
- Plug the charger (13) into the mains. And no lights on.
- Remove the battery (9) from the appliance by pressing the battery unlocking button (8) and pulling the battery out of the appliance
- Plug charging jack into charging base. The green light will illuminate when connected.
- Insert the battery into charging base. The red & green light will illuminate when properly connected & charging.
- The green light will illuminate when the battery reaches full charge.

Check battery charge

- Press the on/off switch (7) and the battery indicator light will indicate the level of charge.



Instructions for use

Before use:

- Make sure that all the product's packaging has been removed.
- Prepare the appliance according to the function you wish to use:

Insert a drill bit:

- To open the drill's chuck (1), whilst completely switched off, turn the chuck counter clockwise.

- Insert the drill bit, screwdriver bit, or other tool/ accessory required for the task, into the chuck. In order to obtain a secure fastening of the bit, insert the bit as far as you can into the chuck. turn the the chuck clockwise until it is firmly closed.
- In order to remove accessories from the chuck, follow the same steps as indicated previously but in reverse order.

Screwing, drilling/unscrewing:

- To drill or screw, ALWAYS have the direction set to clockwise (CW).
- To unscrew, set the direction to counter clockwise (CCW).
- The appliance should not be in use when changing the screwing direction.

How to select the direction of the rotation

- Do not change the direction of the rotation whilst the tool motor is in operation.
- The appliance has a selector (6), which allows the direction of rotation to be changed

Variable speed control:

- The speed of the appliance can be regulated according to the pressure exerted on the on/off switch (7). This function is very useful, as it makes it possible to adapt the speed of the appliance to the type of work that needs to be done.
- If the appliance works continuously at low speed, working life of the appliance will be reduced considerably.

Mechanical Speed change

- 1st speed: Move backwards the selector (12)
- 2nd speed: Move forwards the selector (12)
- The appliance should not be in use when changing the speed.

Select the function

Driving

- Turn the selector (10) until the arrow on the appliance points to (→).
- Turn the selector (2) from (1) to (20) until the desired result is obtained.

Drilling

- Turn the selector (10) until the arrow on the appliance points to (⊞).

Drilling with Impact Function

- Turn the selector (10) until the arrow on the appliance points to (⊞).

Use:

- Select the appliance function desired. (2)
- Turn the appliance on, by using the on/off button (7).

Once you have finished using the appliance:

- Stop the appliance by releasing the on/off switch.



Cleaning

- Disconnect the appliance from the mains and allow it to cool before undertaking any cleaning task.
- Clean the electrical equipment and the mains connection with a damp cloth and dry. DO NOT IMMERSE IN WATER OR ANY OTHER LIQUID.
- Clean the equipment with a damp cloth with a few drops of washing-up liquid and then dry.
- Do not use solvents, or products with an acid or base pH such as bleach, or abrasive products, for cleaning the appliance.
- Do not let water or any other liquid get into the air vents to avoid damage to the inner parts of the appliance.
- Never submerge the appliance in water or any other liquid or place it under running water.
- If the appliance is not in good condition of cleanliness, its surface may degrade and inexorably affect the duration of the appliance's useful life and could become unsafe to use.

Supplies

- Always use original supplies, designed specifically for your appliance model.
- These supplies are available in specialist shops.



Anomalies and repair

- Take the appliance to an authorised technical support service if a product damage or other problems arise. Do not try to dismantle or repair without assistance, as this may be dangerous.

Specifications:

- Rated Voltage (V):	10.8
- No load speed (rpm):	0-400/0-1400
- Max drilling torque (N.m):	25
- Maximum capacity in steel (mm):	10
- Maximum capacity in wood (mm):	26
- Maximum capacity in cement block (mm):	8
- Drill chuck capacity (mm):	1.0-10
- Keyless Chuck	YES
- No. of torque settings	20+3
- Reversible / Electronic	YES
- Weight (Kg.)	1.05
Charger	
- Input voltage (V _{in})	220
- Output voltage (V _{out})	12
- Current (mA)	500
- Approximate charge time (h)	3-5
- Weight (kg)	0.26

- If the connection to the mains has been damaged, it must be replaced and you should proceed as you would in the case of damage.

- Not suitable for use in presence of flammable anaesthetic mixture with air or with Oxygen or nitrous oxide

NB: These specifications are subject to change without notice of purpose of improvement.

Ecology and recycle ability of the product

- The materials of which the packaging of this appliance consists are included in a collection, classification and recycling system. Should you wish to dispose of them, use the appropriate public recycling bins for each type of material.

- Respect the environment and do not throw used batteries into your domestic rubbish, place them in Authorised collection places. They should never be thrown onto a fire.

- At the end of the product's useful life, and before throwing it away in a container suitable for Electrical Appliances and Electronics Waste, remove the batteries and throw them away in the appropriate container.

- The product does not contain concentrations of substances that could be considered harmful to the environment.

- This appliance contains, or could contain, oil. Remember that one should abide by the regulations concerning the elimination of this type of contaminant.



This symbol means that in case you wish to dispose of the product once its working life has ended, take it to an authorised waste agent for the selective collection of Waste from Electric and Electronic Equipment (WEEE).



- This symbol means that product may include a battery or batteries; user must to remove them before disposing of the product. Remember that batteries must be disposed of in duly authorised containers. Do not dispose of them in fire.



This symbol means that user must consult instructions thoroughly before use.



Protect electrical power tool from moisture



Double insulation

Service Information

Black & Decker offers a full network of company-owned and authorized service locations throughout Asia. All Black & Decker Service Centers are staffed with trained personnel to provide customers with efficient and reliable product service.

Whether you need technical advice, repair, or genuine factory replacement parts, contact the Black & Decker location nearest to you.

NOTE

- Black & Decker's policy is one of continuous improvement to our products and, as such, we reserve the right to change product specifications without prior notice.
- Standard equipment and accessories may vary by country.
- Product specifications may differ by country.
- Complete product range may not be available in all countries. Contact your local Black & Decker dealers for range availability.

충전 드릴

⚠️ 제품의 스위치를 켜기 전에 원본 설명서를 주의깊게 읽고 향후 참조할 수 있도록 잘 보관해 두십시오. 이러한 지침 사항을 준수하지 않으면 사고로 이어질 수 있습니다.

일반 전동 공구 안전 경고

⚠️ 경고 안전 경고와 지시사항을 모두 읽으십시오.

경고와 지시 사항을 준수하지 않으면 감전, 화재 및/또는 심각한 부상을 초래할 수 있습니다.

항후 참고할 수 있도록 모든 경고 및 지시 사항을 보관해두십시오.

경고에서 사용된 "전동 공구"라는 용어는 주 공급 전원에 의해 전기가 공급되는 (유선) 전동 공구 또는 충전식 (무선) 전동 공구를 의미합니다.

작업 영역 안전

- 작업하는 영역을 청결하고 밝게 유지하십시오. 혼잡하고 어두운 작업 영역에서는 사고가 발생하기 쉽습니다.

- 가연성 액체, 가스 또는 먼지 등이 있는 폭발성 대기에서 전동 공구를 사용하지 마십시오. 전동 공구에서 먼지나 가스를 발화시킬 수 있는 불꽃이 될 수 있습니다.

- 전동 공구로 작업하는 동안에는 어린이와 주변 사람들이 작업 영역에 가까이 들어오지 못하도록 하십시오. 주변이 산만해져 통제력을 잃을 수 있습니다.

전기 안전

- 전동 공구의 플러그는 콘센트와 형식이 일치해야 합니다. 플러그를 어떤 방식으로든 절대 개조하지 마십시오. 접지된 (지면 접지) 전동 공구에 어떤 어댑터 플러그도 사용하지 마십시오. 개조되지 않은 플러그 및 형식이 일치하는 콘센트를 사용하면 감전 위험이 줄어듭니다.

- 파이프, 라디에이터, 렌즈 또는 냉장고 등과 같이 접지된 표면에 신체가 접촉하지 않도록 하십시오. 신체가 접지되어 있으면 감전 위험이 높아집니다.

- 전동 공구를 비 또는 습한 환경에 노출하지 않도록 주의하십시오.

전동 공구에 물이 들어가면 감전 위험이 높아집니다.

- 코드를 함부로 다루지 마십시오. 코드를 사용하여 전동 공구를 운반하거나 잡아당기거나 플러그를 뽑지 마십시오. 열, 오일, 날카로운 모서리 또는 움직이는 부품에서 멀리 떨어진 장소에 코드를 보관하십시오.

코드가 손상되거나 얽혀 있으면 감전 위험이 높아집니다.

- 전동 공구를 실외에서 사용할 때는 실외 사용에 적합한 연장 코드를 사용하십시오. 실외 사용에 적합한 코드를 사용하면 감전 위험이 줄어듭니다.

- 어쩔 수 없이 습한 장소에서 전동 공구를 사용해야 하는 경우에는 누전 차단기(RCD)로 보호된 전원 공급 장치를 사용하십시오. RCD를 사용하면 감전 위험이 줄어듭니다.

신체 안전 사항

- 전동 공구로 작업할 때는 방심하지 말고 작업에 주의하면서 상식을 따르십시오. 피곤한 상태이거나 약물, 술, 치료제를 복용한 상태에서는 전동 공구를 사용하지 마십시오. 전동 공구를 사용하다 잠깐만 눈을 팔아도 심각한 부상을 당할 수 있습니다.

- 신체 보호 장비를 착용하십시오. 항상 보안경을 착용하십시오. 적절한 상황에서 방진 마스크, 미끄럼 방지 안전화, 안전모 또는 청력 보호 기구 등의 보호 장비를 사용하면 신체 부상 위험이 줄어듭니다.

- 의도하지 않은 장비 가동 방지. 전원 및/또는 배터리 팩에 연결한 상태로 공구를 선택 또는 운반할 때는 사전에 스위치가 꺼진 위치에 있는지 반드시 확인하십시오. 스위치가 꺼진 위치에 있는 상태에서 스위치에 손가락이 닿은 상태로 전동 공구를 운반하거나 전동 공구에 전원을 공급하면 사고가 발생합니다.

- 전동 공구를 켜기 전에 모든 조정 키 또는 렌치를 제거하십시오. 전동 공구의 회전 부품에 렌치가 키가 부착되어 있으면 부상을 당할 수 있습니다.

- 무리하게 팔을 뻗지 마십시오. 항상 올바른 자세로 서서 균형을 유지하십시오. 그러면 예기치 않은 상황에서 전동 공구에 대한 제어력이 향상됩니다.

- 적절한 작업복을 착용합니다. 헐렁한 옷이나 장신구를 착용하지 마십시오. 머리카락, 옷 및 장갑이 움직이는 부품에 닿지 않도록 유의하십시오. 헐렁한 옷, 장신구 또는 긴 머리카락 움직이는 부품에 낄 수 있습니다.

- 먼지 배출 및 집진 시설 연결을 위한 장치가 제공된 경우, 이들 장치가 연결되어 적절히 사용되고 있는지 반드시 확인하십시오. 집진 장치를 사용하면 먼지와

관련된 위험을 줄일 수 있습니다.

전동 공구 사용 및 관리

- 전동 공구에 무리한 힘을 가하지 마십시오. 해당 용도에 맞는 올바른 전동 공구를 사용하십시오. 올바른 전동 공구를 사용해 설계된 속도로 작업을 더욱 안전하고 정확하게 수행할 수 있습니다.

- 켜지지 않거나 꺼지지 않는 경우 전동 공구를 사용하지 마십시오. 스위치로 제어되지 않는 전동 공구는 위험하므로 수리해야 합니다.

- 전동 공구를 조정하거나 액세서리를 변경하거나 보관하기 전에 전원 및 / 또는 배터리 팩에서 플러그를 빼십시오. 이러한 예방적 안전 조치를 따라야 전동 공구가 갑자기 작동할 위험이 줄어듭니다.

- 사용하지 않는 전동 공구는 어린이의 손이 닿지 않는 곳에 보관하고, 전동 공구나 본 지시 사항에 익숙하지 않은 사람이 전동 공구를 절대 사용하지 못하게 하십시오. 전동 공구는 훈련을 받지 않은 사용자가 다루면 위험합니다.

- 전동 공구 유지 보수. 움직이는 부품의 잘못된 정렬이나 바인딩, 부품 파손 및 기타 전동 공구의 작동에 영향을 미칠 수 있는 기타 모든 상태를 확인하십시오. 손상된 부분이 있는 경우 사용하기 전에 전동 공구를 수리하십시오. 많은 사고는 전동 공구를 제대로 유지 보수하지 않아 발생합니다.

- 절단 공구를 예리하고 깨끗한 상태로 유지하십시오. 절단지식 가장자리를 예리하게 잘 유지하면 절단기를 사용할 때 바인딩이 적고 다루기가 용이합니다.

- 작업 환경과 수행할 작업을 고려하여, 본 지시 사항에 따라 전동 공구, 액세서리 및 톨 비트 등을 사용하십시오. 본 사용 설명서의 내용과 다른 용도로 전동 공구를 사용하면 위험한 상황이 발생할 수 있습니다.

배터리 공구 사용 및 관리

- 다시 충전할 때는 제조업체에서 지정한 충전기만 사용하십시오. 한 배터리 팩 유형에 적합한 충전기를 다른 배터리의 팩과 함께 사용할 경우 화재의 위험이 있습니다.

- 전동 공구를 사용할 때는 특수 설계된 배터리 팩을 함께 사용하십시오. 다른 배터리 팩을 사용하면 부상을 입거나 화재의 위험이 있습니다.

- 배터리 팩을 사용하지 않을 때에는 클립, 동전, 키, 못, 나사 등의 금속 물체나, 단자 간에 연결할 수 있는 작은 금속 물체가 닿지 않도록 멀리 두십시오. 배터리 단자가 단락되면 화상을 입거나 화재가 발생할 위험이 있습니다.

- 배터리를 과다 사용하면 액체가 배터리에서 흘러 나올 수 있으므로 접촉을 피하십시오. 실수로 접촉한 경우에는 물로 씻으십시오. 액체가 눈에 들어가면 치료를 받으십시오. 배터리에서 나온 액체는 통증을 유발하거나 화상을 입힐 수 있습니다.

정비

- 자격을 갖춘 기술자가 동일 교체 부품을 사용하여 정비 작업을 수행해야 합니다. 그레야 전동 공구의 안전이 보장됩니다.

- 모든 오용 또는 사용 지침을 준수하지 않으면 보증 및 제조업체의 책임이 무효 상태로 됩니다.

드릴 및 드라이버에 대한 안전 경고

- 절삭 액세서리가 숨겨진 배선 또는 자체 코드에 접촉할 수 있는 작업을 수행할 때는 절연된 손잡이 표면만 닿도록 하여 전동 공구를 잡으십시오. "전류가 흐르는" 전선에 접촉된 절삭 액세서리는 전동 공구의 노출된 금속 부품을 "전류가 흐르는" 상태로 만들어 작업자를 감전시킬 수 있습니다.

- 공구에 걸림이 발생한 경우 즉시 전동 공구의 스위치를 끄십시오. 반동을 야기할 수 있는 고반동 톨에 대비하십시오. 전동 공구가 과부하되거나 작업물에 박혀서 꼼짝 않으면 공구가 걸린 것입니다.

- 기계를 꼭 잡으십시오. 나사를 조이고 풀 때 고반동 톨이 짧게 발생할 수 있습니다.

열, 예를 들어, 지속적으로 강렬한 햇빛, 불, 물 및 습기로부터 배터리를 보호하십시오.

폭발 위험.

- 배터리의 손상 또는 부적절한 사용 시 증기가 나올 수 있습니다. 작업장을 환기하고 통풍이 있는 경우 치료를 받으십시오. 증기가 호흡기계를 자극할 수 있습니다.

추가 안전 경고

- 주의: 과열을 방지하려면 제품을 덮지 마십시오.

- 공기 과잉이 없는지 또는 출구가 직물, 옷 등으로 전체 또는 부분적으로 덮혀 있지 않은지 확인하십시오. 이는 화재의 위험을 높입니다.

- 케이블 또는 플러그가 손상된 경우 제품을 사용하지 마십시오.

- 제품에 플러그를 꽂기 전에 정격 라벨에 표시된 전압이 주 전압과 일치하는지 확인하십시오.

- 제품 포장에 파손된 경우, 감전의 가능성을 방지하려면 즉시 제품을 주 전원에서 차단하십시오.

- 바닥 위에 떨어뜨렸거나, 눈에 보이는 손상이 있거나 누출이 있는 경우, 제품을 사용하지 마십시오.

- 주의 : 제품을 건조한 상태로 유지하십시오 .

- 전원 코드의 상태를 확인하십시오 . 케이블이 손상되거나 얽혀 있으면 감전 위험이 높아집니다 .

- 제품을 실외에서 사용하는 경우, 적절한 연장 코드를 사용하십시오 .

- 젖은 손으로 플러그를 만지지 마십시오 .

- 클램프나 바이스를 이용해 작업할 물체를 제 자리에 고정하십시오 . 공구를 제어하기에 양 손이 자유로우면 작업이 더 안전해 집니다 .

- 조작 중에는 제품의 움직이는 부분을 만지지 마십시오 .

- 샌딩 우드, 금속 표면 및 백 페인트로 코팅되어 있는 표면에서 발생하는 먼지의 흡입 및 접촉으로부터 자신을 보호하십시오 . 적절한 보건 및 안전 규정을 준수하는 보호 장비를 사용하십시오 .

- 석면의 일종 / 석면 및 / 또는 규석에서 작업할 때, 발생하는 먼지는 건강에 매우 해롭습니다 . 사고 방지에 대한 현재 규정에 따라 이러한 먼지 흡입을 막는 보호 장치를 착용하십시오 .

- 작업할 때는 감전을 방지하기 위해 전선 및 가스 또는 배수관을 주의하십시오 .

- 매번 사용하기 전에 제품의 전원 케이블을 완전히 후십시오 .

- 액세서리가 제대로 장착되지 않은 경우 제품을 사용하지 마십시오 .

- 액세서리 또는 제품에 장착되어 있는 소모품에 결함 이 있는 경우 제품을 사용하지 마십시오 . 즉시 교체하십시오 .

- 켜짐 / 꺼짐 스위치가 작동되지 않는 경우 제품을 사용하지 마십시오 .

- 제품의 작업 용량을 초과하지 마십시오 . 각 용도에 맞 는 올바른 전동 공구를 사용하십시오 . 올바른 전동 공 구를 사용해야 설계된 속도로 작업을 더욱 안전하고 정 확하게 수행할 수 있습니다 .

- 어떤 상황에서도 배터리를 열지 마십시오 .

- 배터리 단자를 단락시키지 마십시오 . 이로 인해 폭발 또는 화재가 발생할 수 있습니다 .

- 배터리는 40° C 미만의 온도에서 보관해야 합니다 .

- 사용하지 않을 때와 청소를 하기 전에는 배터리 충전 기를 분리해 놓으십시오 .

- 당분간 제품을 사용하지 않을 예정인 경우 제품에서 배터리를 빼 놓으십시오 .

- 본 제품은 장난감이 아닙니다 . 어린이가 본 제품을 가지고 놀지 못하도록 항상 주의해야 합니다 .

- 본 제품은 성인이 사용하도록 제작되었습니다 . 장애인, 어린이 또는 취급에 익숙하지 않은 사람들이 본 제품을 사용하지 않는지 확인하십시오 .

- 본 제품은 어린이 및 / 또는 장애인의 손이 닿지 곳에 보관해야 합니다 .

- 건조하고, 먼지가 없으며 직사광선이 닿지 않는 곳에 제품을 보관하십시오 .

- 안전한 위치에서 제품을 무부하 상태로 30 초간 작동 시키십시오 . 심한 진동 또는 기타 결함을 발견한 경우 즉시 제품 사용을 멈추십시오 . 그런 다음 고장 및 수리 조항에 설명된 대로 문제를 확인하고 해결하십시오 .

설명

- 1 키레스 척
- 2 토크 조절 링
- 3 냉각용 통풍구
- 4 소프트 그립
- 5 전원 등
- 6 전진 / 후진 스위치
- 7 온 / 오프 / 속도 조절 스위치
- 8 배터리 탈착 버튼
- 9 배터리
- 10 가능 링
- 11 충전기 대
- 12 기어 셀렉터
- 13 충전기
- 14 배터리 표시기

설치

배터리 충전

- 주의 : 새 배터리는 완전히 충전되어 있지 않으므로 처음 제품을 사용하기 전에 충전해야 합니다 .

- 주의 : 이 충전기의 전원 장치는 누전 차단기 (RCD) 로 보호되어야 합니다 (정격 30mA 이하) . 차단기가 감전의 위험을 줄여줍니다 .

- 배터리는 4° C ~ 40° C 사이의 기온에서 충전하십시오 .

- 충전기 (13) 플러그를 주 전원에 꽂으십시오 . 그리고 켜진 등이 없습니다 .

- 배터리 잠금 해제 버튼 (8) 을 눌러서 제품에서 배터

리 (9) 를 분리하고 배터리를 제품에서 빼냅니다 .

- 충전기 잭의 플러그를 충전기 대에 꽂습니다 . 연결되면 녹색 등이 켜집니다 .

- 배터리를 충전 거치대에 끼웁니다 . 올바르게 연결 및 충전되면 적색 및 녹색 등이 켜집니다 .

- 배터리가 완전히 충전되면 녹색 등이 켜집니다 .

배터리 충전 확인

- on/off 스위치 (7) 를 누르면 배터리 표시등이 충전 단계를 표시합니다 .

- 제품에 셀렉터 (6) 가 있어 , 회전 방향을 바꿀 수 있습니다 .

변속 제어 :

- 제품의 속도는 on/off 스위치 (7) 에 가해진 압력에 따라 조절할 수 있습니다 . 이 기능은 수행해야 하는 작업의 종류에 제품의 속도를 적용하는 것이 가능하므로 매우 유용합니다 S .

- 제품을 계속해서 저속에서 작동하는 경우 , 제품의 수명이 크게 감소할 수 있습니다 .

기계 속도 변경

1 단계 속도 셀렉터 (12) 를 뒤쪽으로 이동합니다

2 단계 속도 : 셀렉터 (12) 를 앞으로 이동합니다

- 속도 변경 시에는 제품을 사용해서는 안됩니다 .

기능 선택

조이기

- 제품의 화살표가 (←) 을 가리킬 때까지 셀렉터 (10) 를 돌립니다 .

- 원하는 결과를 얻을 때까지 셀렉터 (2) 를 (1) 에서 (20) 까지 돌립니다 .

드릴 작업

- 제품의 화살표가 (Ⓜ) 을 가리킬 때까지 셀렉터 (10) 를 돌립니다 .

햄머 기능을 사용하는 드릴 작업

- 제품의 화살표가 (⚡) 을 가리킬 때까지 셀렉터 (10) 를 돌립니다 .

사용법 :

- 원하는 제품 기능을 선택합니다 . (2)

- on/off 버튼 (7) 을 사용하여 제품을 켭니다 .

- 콘크리트 천공 작업시에는 전동공구를 양손으로 잡고 수직 - 수평을 맞추면서 작업하세요 .

- 콘크리트 작업시 해당비트가 콘크리트 전용 비트인지 다시 한번 확인하세요 . 부상의 위험이 있습니다 .

일반적으로 은색 빛을 가진 비트가 콘크리트용이나 자세한 사항은 제조사에 문의하여 확인 하시기 바랍니다 .

사용 지침

사용하기 전에 :

- 제품의 모든 포장이 제거되었는지 확인하십시오 .

- 사용할 기능에 따라 제품을 준비하십시오 .

드릴 비트 끼우기 :

- 드릴 척 (1) 을 열려면 , 완전히 꺼진 상태에서 척 카운터를 시계 방향으로 돌립니다 .

- 작업에 필요한 드릴 비트 , 드라이버 비트 또는 기타 공구 / 액세서리를 척에 끼웁니다 . 비트를 확실하게 고정하려면 , 가능한 멀리 척에 비트를 끼우고 , 단단히 닫힐 때까지 척을 시계 방향으로 돌립니다 .

- 척에서 액세서리를 분리하려면 , 이전에 표시된 대로 동일한 단계를 따르십시오 (단 , 역순으로) .

나사 조이기 , 드릴 작업 / 나사 풀기 :

- 드릴 작업을 하거나 나사를 조이려면 , 항상 방향을 시계 방향 (CW) 으로 설정해 놓으십시오 .

- 나사를 빼려면 , 방향을 시계 반대 방향 (CCW) 으로 설정하십시오 .

- 나사 조임 방향을 변경할 때는 제품을 사용해서는 안 됩니다 .

회전 방향을 선택하는 방법

- 공구 모터가 작동 중에 있을 때 회전 방향을 바꾸지 마십시오 .

제품 사용을 끝마쳤으면 :

- on/off 스위치를 눌러서 제품을 정지시킵니다 .

청소

- 주 전원에서 제품 연결을 차단하고 청소를 하기 전에 제품의 열을 식하십시오 .

- 전기 장비와 주 접속부를 젖은 헝겊으로 청소한 다음 건조시킵니다 . 물이나 기타 액체에 담그지 마십시오 .

- 설거지 세제액을 몇 방울 묻힌 젖은 헝겊으로 장비를 청소한 다음 건조시킵니다 .

- 제품을 청소하기 위해 용제 또는 표백제 또는 연마제 등의 산 또는 염기 pH 가 포함된 제품을 사용하지 마십시오 .

- 제품의 내부 부품이 손상되지 않도록 물이나 기타 모

든 액체가 환기 구멍으로 들어가지 않도록 하십시오 .

- 제품을 물이나 기타 액체에 담그거나 흐르는 물 아래에 절대로 놓지 마십시오 .

- 제품의 청결 상태가 양호하지 않은 경우, 표면이 품질이 저하되어 제품의 유용한 수명 기간에 영향을 미칠 수 있고 사용하기에 안전하지 않을 수 있습니다 .

소모품

- 항상 제품 모델 전용으로 설계된 정품 소모품을 사용하십시오 .

- 이러한 소모품은 전문점에서 구입할 수 있습니다 .

고장 및 수리

- 제품 손상 또는 기타 문제가 발생하는 경우 공인 기술 지원 서비스로 제품을 맡기십시오 . 지원을 받지 않고 분해하거나 수리하려고 하지 마십시오 . 위험할 수 있습니다 .

사양 :

- 정격 전압 (V):	10.8
- 무부하회전수 (rpm):	0-400/0-1400
- 최대 드릴 토크 (N.m):	25
- 최대 스틸 용량 (mm):	10
- 최대 목재 용량 (mm):	26
- 최대 시멘트 블록 용량 (mm):	8
- 드릴 척 용량 (mm):	1.0-10
- 키레스 척	예
- 토크 설정 번호	20+3
- 가역 / 전자	예
- 무게 (Kg:)	1.05
충전기	
- 입력 전압 (VAC)	220
- 출력 전압 (VDC)	12
- 전류 (mA)	500
- 대략적 충전 시간 (h)	3-5
- 무게 (Kg:)	0.26

- 주 전원으로 가는 접속부가 손상된 경우, 교체해야 하고 손상된 경우에 하는 방식으로 진행되어야 합니다.

- 공기가 혼합되어 있거나 산소 또는 아산화질소가 포함되어 있는 가연성 마취제가 있는 곳에서 사용하는 경우 적합하지 않음

주의: 이 사양은 개선을 위해 사전 통지 없이 변경될 수 있습니다.



이 기호는 사용자가 사용하기 전에 지침 사항을 철저히 검토해야 한다는 의미입니다.



전기 전동 공구를 습기로부터 보호

제품의 상태 및 재활용 능력

- 이 기기의 포장재를 구성하는 물질은 수거, 분류 및 재활용 시스템에 포함되어 있습니다. 폐기하고자 할 경우, 각 물질의 유형에 맞는 공용 재활용 봉지를 사용하십시오.

- 환경을 생각하고, 사용한 배터리를 가정용 쓰레기통에 버리지 말고 공인 수거 장소에 갖다 놓으십시오. 절대로 불 속에 던져 넣어서는 안됩니다.

- 제품의 사용 수명이 다 한 경우, 그리고 전기 기기 및 전자 폐기물에 적합한 용기에 처리하기 전에, 배터리를 빼고 해당하는 용기에 버리십시오.

- 제품에 환경에 유해하고 고려될 수 있는 물질이 포함되어 있지 않습니다.

- 이 제품에는 기름이 포함되어 있거나 포함되어 있을 수 있습니다. 이러한 종류의 오염 물질 제거에 관한 규정을 따라야 함을 잊지 마십시오.



이중 절연

서비스 정보

블랙앤데커 전동공구는 동부대우전자서비스 (1588-1588) 또는직영센터 (1577-0933) 에서 수리 받으실 수 있습니다.

모든 Black & Decker 서비스 센터에는 교육을 이수한 전문 인원이 배치되어 있어 고객에게 효과적이고 믿을 수 있는 제품 서비스를 제공하고 있습니다.

기술 지원, 수리 또는 순정 교체 부품이 필요한 모든 경우에 가까운 Black & Decker 로 연락하십시오.

참고

◆ Black & Decker 는 제품을 지속적으로 개선하는 정책을 취하고 있기 때문에 사전 통지 없이 제품 사양이 변경될 수 있습니다.

◆ 기본 장비 및 액세서리 구성은 국가에 따라 다를 수 있습니다.

◆ 제품 사양은 국가에 따라 다를 수 있습니다.

◆ 국가에 따라 판매하지 않는 제품도 있을 수 있습니다. 제품 판매 여부는 해당 지역에 있는 Black & Decker 판매점으로 문의하십시오.



이 기호는 제품 수명이 다하여 제품을 폐기하고자 할 경우 전자 전기 제품 및 폐기물 (WEEE) 의 선택적 수거를 위해 공인 폐기물 센터로 보내라는 의미입니다.



- 이 기호는 제품에 배터리 배터리가 포함되어 있을 수 있다는 의미이므로, 제품을 폐기하기 전에 사용자가 제거해야 합니다. 배터리는 적절한 절차에 따른 공인 컨테이너에 넣어서 폐기해야 함을 잊지 마십시오. 배터리를 불 속에 넣어 폐기하지 마십시오.

