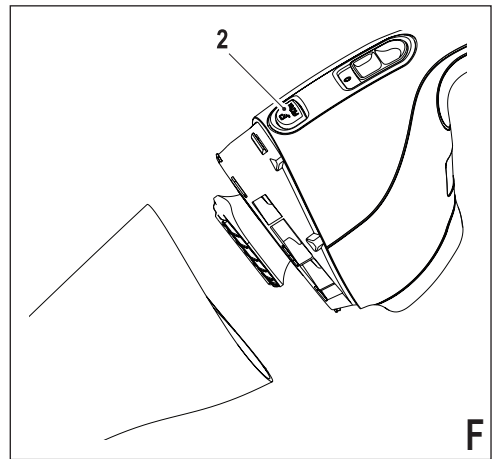
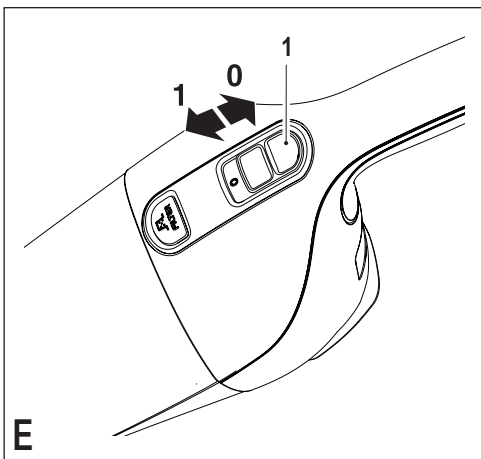
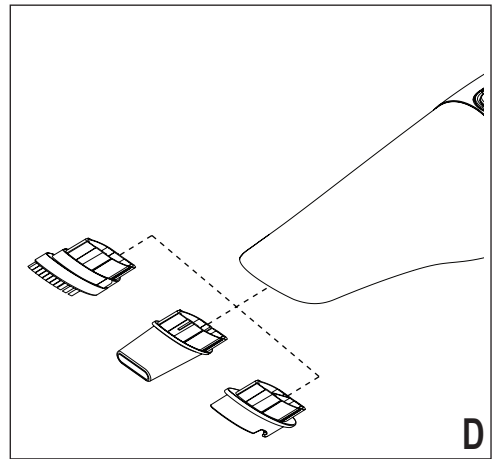
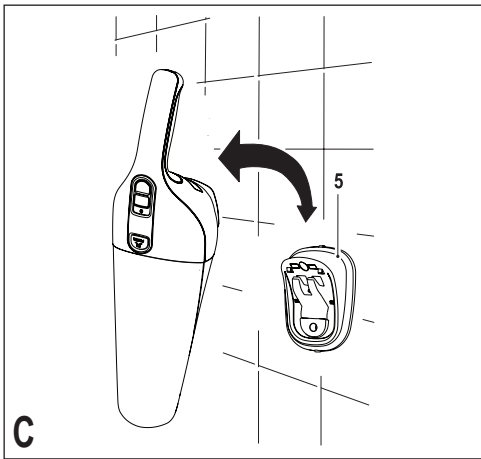
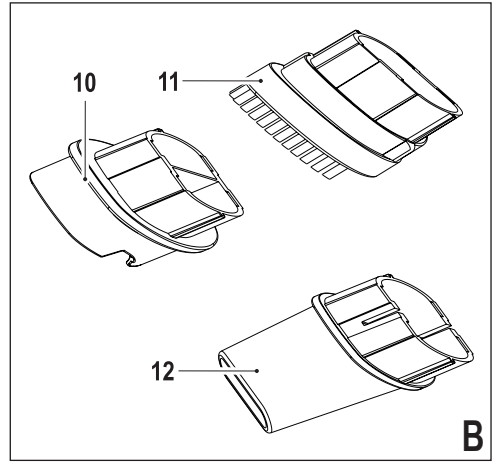
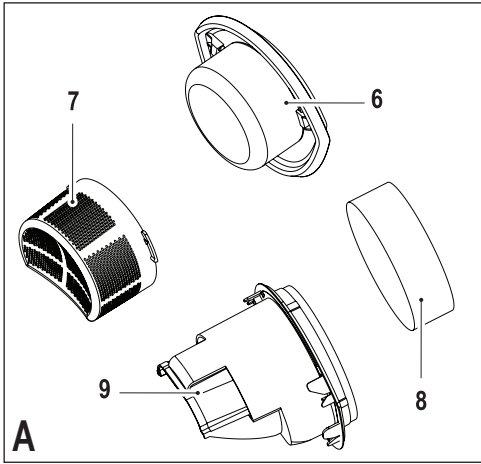
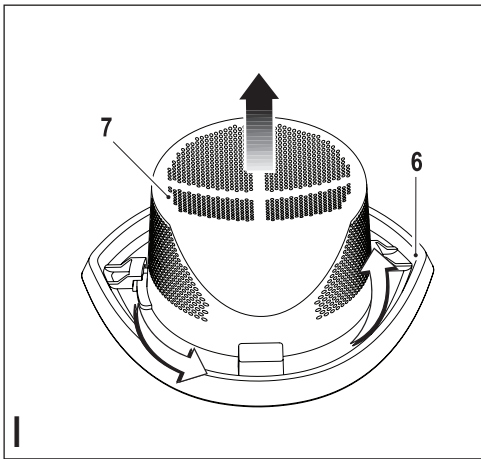
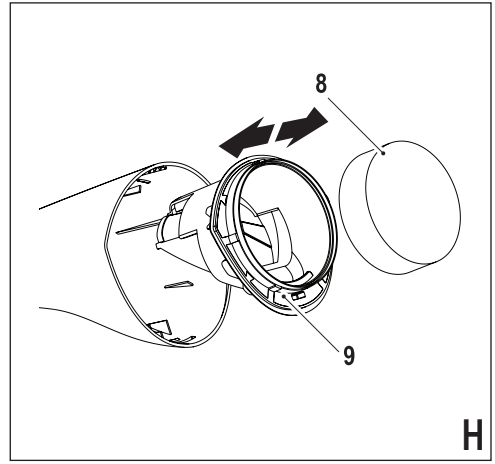
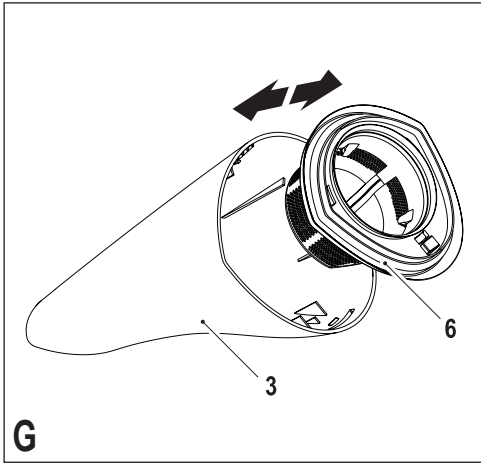


NV3620
NV4820
NV6020
NW3620
NW4820

English	4
简体中文	10
中文(繁體)	14
한글판	18
Bahasa Indonesia	22
TIẾNG VIỆT	27
ภาษาไทย	31





NV3620, NV4820, NV6020, NW3620 & NW4820 DUSTBUSTER

Technical data

Dustbuster	NV4820(H1)		NV3620(H1)		NV6020(H1)
	NW4820(H1)		NW3620(H1)		
Voltage	V _{dc}	4.8	3.6	6.0	
Battery	Type	NiCd	NiCd	NiCd	
Weight	kg	0.77	0.72	0.8	
Charger					
Input voltage	V _{ac}	220	120	100-240	
Output voltage		5.8V _{dc}	5V _{ac}	27 V _{dc}	
Current	mA	130	200	85	
Approximate charge time	h	16	16	28	
Weight	kg	0.15	0.14	0.06	

Intended use

Your Black & Decker Dustbuster® handheld vacuum cleaner has been designed for light dry vacuum cleaning purposes (NV3620, NV4820 & NV6020). This appliance is intended for household use only.

Your Black & Decker Dustbuster® handheld vacuum cleaner has been designed for light wet and dry vacuum cleaning purposes (NW3620 & NW4820). This appliance is intended for household use only.

Safety instructions



Warning! Read all safety warnings and all instructions. Failure to follow the warnings and instructions listed below may result in electric shock, fire and/or serious injury.



Warning! When using battery-powered appliances, basic safety precautions, includ-

ing the following, should always be followed to reduce the risk of fire, leaking batteries, personal injury and material damage.

- ◆ Read all of this manual carefully before using the appliance.
- ◆ The intended use is described in this manual. The use of any accessory or attachment or the performance of any operation with this appliance other than those recommended in this instruction manual may present a risk of personal injury.
- ◆ Retain this manual for future reference.

Using your appliance

- ◆ Do not use the appliance to pick up liquids or any materials that could catch fire.
- ◆ Do not use the appliance near water.
- ◆ Do not immerse the appliance in water.
- ◆ Never pull the charger lead to disconnect the charger from the socket. Keep the charger lead away from heat, oil and sharp edges.
- ◆ This appliance can be used by children aged from 8 years and above and persons with reduced physical, sensory or mental capabilities or lack of experience and knowledge if they have been given supervision or instruction concerning use of the appliance in a safe way and understand the hazards involved. Children shall not play with the appliance. Cleaning and

user maintenance shall not be made by children without supervision.

Inspection and repairs

- ◆ Before use, check the appliance for damaged or defective parts. Check for breakage of parts, damage to switches and any other conditions that may affect its operation.
- ◆ Do not use the appliance if any part is damaged or defective.
- ◆ Have any damaged or defective parts repaired or replaced by an authorized repair agent.
- ◆ Regularly check the charger lead for damage. Replace the charger if the lead is damaged or defective.
- ◆ Never attempt to remove or replace any parts other than those specified in this manual.

Additional safety instructions

Residual risks.

Additional residual risks may arise when using the tool which may not be included in the enclosed safety warnings. These risks can arise from misuse, prolonged use etc. Even with the application of the relevant safety regulations and the implementation of safety devices, certain residual risks can not be avoided. These include:

- ◆ Injuries caused by touching any moving parts.
- ◆ Injuries caused by touching any hot parts.

- ◆ Injuries caused when changing any parts or accessories.
- ◆ Injuries caused by prolonged use of the appliance. When using any appliance for prolonged periods ensure you take regular breaks.

Batteries and chargers

Batteries

- ◆ Never attempt to open for any reason.
- ◆ Do not expose the battery to water.
- ◆ Do not expose the battery to heat.
- ◆ Do not store in locations where the temperature may exceed 40°C.
- ◆ Charge only at ambient temperatures between 10°C and 40°C.
- ◆ Charge only using the charger provided with the appliance/tool. Using the wrong charger could result in an electric shock or overheating of the battery.
- ◆ When disposing of batteries, follow the instructions given in the section "Protecting the environment".
- ◆ Do not damage/deform the battery pack either by puncture or impact, as this may create a risk of injury and fire.
- ◆ Do not charge damaged batteries.
- ◆ Under extreme conditions, battery leakage may occur. When you notice liquid on the batteries carefully wipe the liquid off using a cloth. Avoid skin contact.
- ◆ In case of skin or eye contact, follow the instructions below.

Warning! The battery fluid may cause personal injury or damage to property. In case of skin contact, immediately rinse with water. If redness, pain or irritation occurs seek medical attention. In case of eye contact, rinse immediately with clean water and seek medical attention.

Chargers

Your charger has been designed for a specific voltage. Always check that the mains voltage corresponds to the voltage on the rating plate and the information in the technical data table.

Warning! Never attempt to replace the charger unit with a regular mains plug.

- ◆ Use your Black & Decker charger only to charge the battery in the appliance/tool with which it was supplied. Other batteries could burst, causing personal injury and damage.
- ◆ Never attempt to charge nonrechargeable batteries.
- ◆ If the supply cord is damaged, it must be replaced by the manufacturer or an authorised Black & Decker Service Centre in order to avoid a hazard.
- ◆ Do not expose the charger to water.
- ◆ Do not open the charger.
- ◆ Do not probe the charger.
- ◆ The appliance/tool/battery must be placed in a well ventilated area when charging.

Electrical safety

Your charger has been designed for a specific voltage. Always check that the mains voltage corresponds to the voltage on the rating plate. Never attempt to replace the charger unit with a regular mains plug.

Symbols on the charger



The symbol means this tool is double insulated; therefore no earth wire is required. Always check that the power supply corresponds to the voltage on the rating plate.

Features

This tool includes some or all of the following features.

1. On/off switch
2. Bowl release button
3. Dust bowl
4. Charger
5. Charging bracket

Fig. A

6. Dry pick up cloth filter (NV3620, NV4820 & NV6020 Only)
7. Pre-filter (NV3620, NV4820 & NV6020 Only)
8. Wet/Dry foam insert (NW3620 & NW4820 Only)
9. Wet/Dry deflector (NW3620 & NW4820 Only)

Fig. B

10. Squeegee (NW3620 & NW4820 Only)
11. Brush tool (NV3620, NV4820 & NV6020 Only)
12. Crevice tool (NV3620, NV4820 & NV6020 Only)

Installation

Wall Mounting (fig. C)

The product can be attached to a wall to provide a convenient storage and charging point for the appliance.

When fixing to a wall, make sure that the fixing method is suitable for the wall type and is appropriate to the weight of the appliance.

- ◆ Mark the location of the screw holes (within reach of an electrical outlet for charging the vac while it is on the wall bracket).
- ◆ Fix the mounting bracket to the wall using appropriate screws and plugs for the type of wall and weight of the appliance.
- ◆ Hang the appliance on the wall by placing the opening on the base of the vac over the hooks in the wall mount charging bracket.

Assembly

Accessories (fig .B)

These models may be supplied with some of the following accessories:

- ◆ A squeegee tool (10) for wet use on hard surfaces.
- ◆ A brush tool (11) for furniture and stairs.
- ◆ A crevice tool (12) for confined spaces.

Fitting (Fig. D)

- ◆ Insert the appropriate accessory into the front of the appliance. Make sure that the accessory is pushed fully in.

Use

- ◆ Before first use, the battery must be charged for at least 24 hours.
- ◆ Place the appliance on the charging bracket whenever it is not in use.

Warning! Before charging, be sure to empty all liquid contents and dry thoroughly, to avoid damage to your appliance.

Charging the battery (Fig. C)

- ◆ Make sure that the appliance is switched off. The battery will not be charged with the on/off switch in the on position.
- ◆ Place the appliance on the charging bracket (5).
- ◆ Plug in the charger. Switch on at the mains.
- ◆ Leave the appliance to charge for at least 19 hours.

While charging, the charger may become warm. This is normal and does not indicate a problem. The appliance can be left connected to the charger indefinitely.

Warning! Do not charge the battery at ambient temperatures below 10 °C or above 40 °C.

Switching on and off (fig. E)

- ◆ To switch the appliance on, slide the on/off switch (1) forward to position 1.
- ◆ To switch the appliance off, slide the on/off switch (1) back to position 0.

Dry pick up (NV3620, NV4820 & NV6020 Only)

- ◆ For everyday spills of dry material.

Wet and dry pick up (NW3620 & NW4820 Only)

- ◆ For everyday spills of dry material, use your appliance without the squeegee accessory.

Warning! Your product is designed for light spills only.

- ◆ This appliance can also be used to pick up everyday liquid spills. Use the squeegee accessory on non-absorbent, hard surfaces. On absorbent surfaces, such as carpet, your appliance will pick up wet spills better without the accessory.
- ◆ For best performance on hard surface wet pickups, insert squeegee into the bowl nozzle opening.
- ◆ For best results when using this accessory, hold the appliance at an angle of 45° and pull it slowly towards you.
- ◆ Do not fill the bowl beyond the end of the intake chute. If there is any liquid in the bowl, do not turn the unit upside down, sideways, point the nozzle upward, or shake the vac excessively.
- ◆ After picking up liquid substances clean the appliance and filter immediately. Mold and mildew may form if the unit is not properly cleaned after wet pickups.
- ◆ Before charging, be sure to empty all liquid contents and dry thoroughly, to avoid damage to your appliance.

Optimising the suction force

In order to keep the suction force optimised, the filters must be cleared regularly during use.

Emptying and cleaning the product.

Removing the dust bowl and filters (fig. F & G).

Warning! The filters are re-usable and should be cleaned regularly.

- ◆ Press the bowl release button (2) and pull the dust bowl (3) straight off.
- ◆ While holding the dust bowl over a bin or sink, pull out the filter to empty the contents of the bowl.
- ◆ To replace the dust bowl, place it back onto the handle until it "clicks" firmly into position.

Warning! Never use the appliance without the filters. Optimum dust collection will only be achieved with clean filters.

Foam insert (fig. H) (NW3620 & NW4820 Only)

- ◆ Place the foam insert (8) into the centre of the wet/dry deflector (9).

Warning! Never use the appliance for wet applications without the water deflector and foam insert fitted.

Pre-filter (fig. 1) (NV3620, NV4820 & NV6020)

The Filter and pre-filter can be separated to allow better cleaning.

- ◆ Twist the pre-filter (7) in an anti-clockwise direction and lift from the filter (6).

Cleaning the dust bowls and filters

- ◆ The dust bowls and filters can be washed in warm soapy water.
- ◆ Make sure that the filters and the dust bowl are dry before re-fitting.

Replacing the filters

The filters should be replaced every 6 to 9 months and whenever worn or damaged.

Replacement filters are available from your Black & Decker dealer:

For models: NV3620, NV4820 & NV6020 use filter part number FLVD10-XJ

For models: NW3620 & NW4820 use filter part number FLWD10-XJ

Maintenance

Your Black & Decker corded/cordless appliance/tool has been designed to operate over a long period of time with a minimum of maintenance. Continuous satisfactory operation depends upon proper tool care and regular cleaning.

Warning! Before performing any maintenance on corded/cordless power tools:

- ◆ Switch off and unplug the appliance/tool.
- ◆ Or switch off and remove the battery from the appliance/tool if the appliance/tool has a separate battery pack.
- ◆ Or run the battery down completely if it is integral and then switch off.
- ◆ Unplug the charger before cleaning it. Your charger does not require any maintenance apart from regular cleaning.
- ◆ Regularly clean the ventilation slots in your appliance/tool/charger using a soft brush or dry cloth.
- ◆ Regularly clean the motor housing using a damp cloth. Do not use any abrasive or solvent-based cleaner.

Protecting the environment



Separate collection. This product must not be disposed of with normal household waste.

Should you find one day that your Black & Decker product needs replacement, or if it is of no further use to you, do not dispose of it with household waste. Make this product available for separate collection.



Separate collection of used products and packaging allows materials to be recycled and used again. Re-use of recycled materials helps prevent environmental pollution and reduces the demand for raw materials.

Local regulations may provide for separate collection of electrical products from the household, at municipal waste sites or by the retailer when you purchase a new product.

Battery



If you want to dispose of the product yourself, the battery must be removed as described below and disposed of in accordance with local regulations.

- ◆ Preferably discharge the battery by operating the appliance until the motor stops.
- ◆ Press the bowl release button (2) and remove the dust bowl (3).
- ◆ Remove the five screws holding the body of the appliance together.
- ◆ Lift the housing cover away from the assembly.
- ◆ Detach all lead connections from the battery pack.
- ◆ Remove battery pack and motor assembly.
- ◆ Place the battery pack and motor assembly in suitable packaging to ensure that the terminals cannot be short-circuited.
- ◆ Take the battery pack and motor assembly to your service agent or to a local recycling station.

Once removed, the battery cannot be refitted.

Service Information

Black & Decker offers a full network of company-owned and authorized service locations throughout Asia. All Black & Decker Service Centers are staffed with trained personnel to provide customers with efficient and reliable power tool service. Whether you need technical advice, repair, or genuine factory replacement parts, contact the Black & Decker location nearest to you.

Notes

- Black & Decker's policy is one of continuous improvement to our products and, as such, we reserve the right to change product specifications without prior notice.
- Standard equipment and accessories may vary by country.
- Product specifications may differ by country.
- Complete product range may not be available in all countries.
- Contact your local Black & Decker dealers for range availability.

Service Information

Black & Decker offers a full network of company-owned and authorized service locations throughout Asia. All Black & Decker Service Centers are staffed with trained personnel to provide customers with efficient and reliable power tool service. Whether you need technical advice, repair, or genuine factory replacement parts, contact the Black & Decker location nearest to you.

Notes

- Black & Decker's policy is one of continuous improvement to our products and, as such, we reserve the right to change product specifications without prior notice.
- Standard equipment and accessories may vary by country.
- Product specifications may differ by country.
- Complete product range may not be available in all countries.
- Contact your local Black & Decker dealers for range availability.

NV3620, NV4820, NV4820C, NV6020, NW3620 和 NW4820 吸尘器

技术数据

吸尘器		NV4820(H1)	NV3620(H1)	NV6020(H1)	NV4820C
		NW4820(H1)	NW3620(H1)		
电压	V _{dc}	4.8	3.6	6.0	4.8
电池	型号	镍镉	镍镉	镍镉	镍镉
重量	千克	0.77	0.72	0.8	0.8

充电器

输入电压	V _{ac}	220	120	100-240	220
输出电压		5.8V _{dc}	5V _{ac}	27V _{dc}	27V _{dc}
电流	mA	130	200	85	85
大约充电时间	小时	16	16	28	28
重量	千克	0.15	0.14	0.06	0.06

设计用途

Black & Decker Dustbuster® 手持式吸尘器的设计用途为干燥环境下的轻型真空吸尘 (NV3620、NV4820、NV4820C 和 NV6020)。本吸尘器仅适用于家庭用途。

Black & Decker Dustbuster® 手持式吸尘器的设计用途为干燥和潮湿环境下的轻型真空吸尘 (NW3620 和 NW4820、NV4820C)。本吸尘器仅适用于家庭用途。

安全说明



警告! 请仔细阅读所有安全警告和指示说明。如不遵守以下任何警告和指示说明, 可能会导致触电、火灾和/或严重伤害。



警告! 使用电池供电的设备时, 请务必始终遵守下列基本安全预防措施, 从而降低火灾、触电、人身伤害和材料损坏等风险。

- ◆ 使用设备前, 请仔细阅读本手册。
- ◆ 本手册描述了设备的设计用途。如果配件或附件的使用、本设备的操作超出本手册建议的范围, 则可能出现人身伤害的危险。
- ◆ 请保存好本手册, 以备将来查阅。

使用设备时

- ◆ 请不要使用本吸尘器吸水或其他液体或任何可能会引起火灾的材料。

- ◆ 请不要在靠近水的地方使用本吸尘器。
- ◆ 请不要将本吸尘器浸泡在水中。
- ◆ 切勿猛力拉扯充电器以使充电器脱离电源。请确保充电器远离热源、油脂及尖锐的边缘。
- ◆ 在有他人监督的情况下, 或在接受过安全使用该产品的指导并已了解了可能存在的危险的情况下, 8 岁或以上的小孩, 以及身体、感官或精神较差的人员, 或者对该类产品缺少使用经验和认识的人员, 也可以使用本吸尘器。确保儿童没有耍玩本设备。在没有他人监督的情况下, 禁止儿童使用本设备或对其进行维护保养。

检查与维修

- ◆ 使用前, 请检查吸尘器是否受损或存在缺陷部件。检查部件是否破裂、开关是否损坏, 以及是否存在影响设备操作的其它情况。
- ◆ 如果部件损坏或存在缺陷, 不要使用设备。
- ◆ 损坏或缺陷部件必须交由授权维修代理处维修与更换。
- ◆ 定期检查充电器导线是否损坏。如有损坏与缺陷, 请更换充电器。
- ◆ 禁止试图拆卸或更换本手册规定之外的任何部件。

附加安全说明

其他风险。

使用设备时, 可能出现本安全警示之外的其他风险。这些风险可能来自使用不当, 使用时间过长等。尽管遵守了相关的安全法规并采用了安全装备, 某些风险仍然是无法避免的。这些风险包括:

- ◆ 接触移动部件时的伤害风险。
- ◆ 接触发热部件时的伤害风险。
- ◆ 更换部件或配件时的伤害风险。
- ◆ 长期使用设备的伤害风险。长期使用任何设备时, 均应定期休息。

电池和充电器

电池

- ◆ 不论基于任何理由, 都不要尝试打开电池。
- ◆ 不要将电池暴露在水中。
- ◆ 不要将电池暴露在热源中。
- ◆ 不要将电池存放在温度可能超过 40°C 的地方。
- ◆ 只在环境温度介于 10°C 和 40°C 之间的情况下充电。
- ◆ 只能使用本设备/工具随附的充电器为电池充电。使用错误的充电器可能会导致触电或电池过热。
- ◆ 处理电池时, 请遵循“保护环境”部分所提供的说明进行。

- ◆ 不要通过刺破或摔打方式损坏电池组或改变其形状，因为这可能会造成人身伤害或火灾危险。
- ◆ 不要对损坏的电池充电。
- ◆ 在极端条件下，电池可能会发生泄漏。如果您发现电池上有液体，请用布仔细拭去液体。避免皮肤接触。
- ◆ 如果与皮肤或眼睛接触，请按照下面的说明操作。

警告！ 电池液可能会导致人身伤害或财产损失。如果与皮肤接触，请立即用清水冲洗。如果出现红肿、疼痛或刺激，请就医。如果与眼睛接触，请立即用清水冲洗并就医。

充电器

您的充电器专门设计用于特定电压。请务必检查电源电压是否与铭牌和技术数据表上的信息一致。

警告！ 切勿尝试使用一般的电源插头替换充电器。

- ◆ 只能使用随附的 Black & Decker 充电器为设备/工具内的电池充电。其他非原厂电池可能会爆裂，导致人身伤害和损害。
- ◆ 切勿尝试为不可再充电的电池充电。
- ◆ 如果电源线损坏，必须让制造商或授权的 Black & Decker 服务中心更换以避免发生危险。
- ◆ 不要将充电器暴露在水中。
- ◆ 不要打开充电器。
- ◆ 不要刺破充电器。
- ◆ 充电时，设备/工具/电池必须放在通风良好的地方。

电气安全

您的充电器专门设计用于特定电压。请务必检查电源电压是否与铭牌一致。切勿尝试使用一般的电源插头替换充电器。

充电器上的符号



本符号表示此工具为双重绝缘，因此无需接地线。请务必检查电源是否与铭牌上的电压一致。

部件名称

本产品包含如下部分或全部部件。

1. 开关
2. 集尘仓释放按钮
3. 集尘仓
4. 充电器
5. 充电座支架

图 A

6. 过滤器（仅适用于 NV3620、NV4820、NV4820C 和 NV6020）

7. 预过滤器（仅适用于 NV3620、NV4820、NV4820C 和 NV6020）
8. 湿/干泡沫衬垫（仅适用于 NW3620 和 NW4820）
9. 湿/干偏转板（仅适用于 NW3620 和 NW4820）

图 B

10. 橡胶清洁剂（仅适用于 NW3620 和 NW4820）
11. 硬毛刷头（仅适用于 NV3620、NV4820 和 NV6020）
12. 缝隙吸嘴（仅适用于 NV3620、NV4820、NV4820C 和 NV6020）

安装

壁挂式安装（图 C）

该产品可以安装到墙上，以为设备提供方便的存放和充电点。安装到墙上时，请确保安装方法适合墙壁类型并能承受设备的重量。

- ◆ 标记螺丝孔的位置（在对置于墙上支架上的真空吸尘器进行充电时电源插座可及的范围内）。
- ◆ 请使用适合墙壁类型并能承受设备重量的螺丝和插头，将安装支架安装到墙上。
- ◆ 通过将真空吸尘器底座上的孔放到壁挂充电座支架中的挂钩上将设备挂在墙上。

组装

配件（图 B）

不同型号的吸尘器将配有相应配件：

- ◆ 橡胶清洁剂 (10)，用于在硬质表面上清理液体。
- ◆ 针对家具和楼梯的硬毛刷头 (11)。
- ◆ 针对狭窄空间的缝隙吸嘴 (12)。

安装（图 D）

- ◆ 将合适的配件插入设备前部。请确定已将配件完全推入，锁定到位。

使用

- ◆ 首次使用之前，必须让电池至少充电 24 个小时。
- ◆ 不使用时，将设备放在充电座支架上。

警告！ 充电前，请确保将设备里的所有液体倒空并擦干，以避免设备在充电时出现损坏。

为电池充电（图 C）

- ◆ 确保设备开关关闭。开关置于开位置时，电池将无法充电。
- ◆ 将设备放在充电座支架 (5) 上。
- ◆ 插入充电器。打开电源。
- ◆ 让设备至少充电 16 个小时。

充电时，充电器可能会变热。这是正常现象，而且并不表示出现问题。设备可以长期连接充电器。

警告！ 请不要在环境温度低于 10 °C 或高于 40 °C 的情况下为电池充电。

打开和关闭 (图 E)

- ◆ 如果要打开设备电源, 将开关 (1) 向前滑动到位置 1。
- ◆ 如果要关闭设备电源, 将开关 (1) 向后滑动到位置 0。

干吸取 (仅适用于 NV3620、NV4820、NV4820C 和 NV6020)

- ◆ 清理日常溢漏干燥物质。

湿与干吸取 (仅适用于 NW3620 和 NW4820)

- ◆ 若要使用设备清理日常溢漏干燥物质, 请不要使用橡胶清洁剂。

警告! 您的产品只适用于清理少量的溢漏物质。

- ◆ 本设备也可用于吸取日常溢漏液体。在无吸收性硬质表面上, 请使用橡胶清洁剂进行清洁。在如地毯等具吸收性的表面上, 若不使用橡胶清洁剂, 吸取液体的效果会更好。
- ◆ 将橡胶清洁剂插入集尘仓吸尘嘴开口, 以在硬质表面上吸取液体方面达到最佳效果。
- ◆ 要达到该配件的最佳使用效果, 请以 45° 角握紧设备, 然后慢慢将它拉向你。
- ◆ 请不要让尘埃溢满集尘仓的吸入槽。如果集尘仓中有任何液体, 不要将设备倒置、侧放、将吸尘嘴朝上, 或过度摇晃设备。
- ◆ 吸取液体之后, 请立即清洗设备和过滤器。设备使用后应当适当清洗, 以避免发霉。
- ◆ 充电前, 请确保将设备里的所有液体倒空并擦干, 以避免设备在充电时出现损坏。

吸尘力优化

为了达到最佳吸尘力, 使用过程中必须定期清洁过滤器。

清空并清洁产品。**取下集尘仓和过滤器 (图 F 和 G)。**

警告! 过滤器可以重复使用, 应定期清洁。

- ◆ 按下集尘仓释放按钮 (2), 从设备直接取下集尘仓 (3)。
- ◆ 握住集尘仓, 在垃圾箱或水槽上方拉出过滤器, 进行清洁。
- ◆ 将集尘仓重新安装到手柄上, 直到锁定到位并发出咔哒声。

警告! 切勿在没有使用过滤器的情况下使用本设备。只有使用清空的过滤器才能达到最佳除尘效果。

泡沫衬垫 (图 H) (仅适用于 NW3620 和 NW4820)

- ◆ 将泡沫衬垫 (8) 置于湿/干偏转板 (9) 的中心。

警告! 切勿在没有安装液体偏转板和泡沫衬垫的情况下使用设备清理/吸取液体。

预过滤器 (图 I) (仅适用于 NV3620、NV4820、NV4820C 和 NV6020)

过滤器和预过滤器可以独立使用以达到最佳清洁效果。

- ◆ 逆时针旋转预过滤器 (7), 从过滤器 (6) 上取下预过滤器。

清洗集尘仓和过滤器

- ◆ 集尘仓和过滤器可以使用温肥皂水清洗。
- ◆ 重新安装前, 确保过滤器和集尘仓干燥。

更换过滤器

每 6 到 9 个月, 或当过滤器磨损或损坏时, 即应更换过滤器。

Black & Decker 零售商均有提供过滤器备件。

设备型号: NV3620、NV4820、NW4820C 和 NV6020 的过滤器部件编号为 FLVD10-XJ

设备型号: NW3620 和 NW4820 的过滤器部件编号为 FLWD10-XJ

维护

Black & Decker 有线/无线设备/工具设计精良, 可以长期使用, 仅需极少维护。要连续获得令人满意的工作效果, 需要进行合适的工具维护和定期清洁。

警告! 对有线/无线电动工具进行任何维护工作之前, 必须:

- ◆ 关闭电源并拔出设备/工具插头。
- ◆ 如果设备/工具配有独立电池组, 关闭电源并从设备/工具上取下电池。
- ◆ 如果配有一体式电池, 把电池电量耗尽后关闭电源。
- ◆ 清洁之前将充电器拔出。您的充电器除了定期清洁外, 并不需要执行任何保养操作。
- ◆ 定期使用软刷或干布清洁设备/工具/充电器内的通风槽。
- ◆ 定期使用湿布清洁电动机外壳。请不要使用任何研磨性或基于溶剂的清洁剂。

保护环境

分类回收。本产品不得与普通家庭垃圾一起处理。

如果您发现您的 Black & Decker 产品需要进行替换, 或您已经不再需要使用这些产品, 请勿将它们与家庭废物一起处理。请将它们单独分类回收。



分类回收使用过的产品和包装能够让材料得以再循环和再利用。再生材料的再利用有助于防止环境污染, 并降低对原材料的需求。

当地法规可能要求由市政废物处理点或向您出售新产品的零售商提供从家庭中分类回收电气产品的服务。

电池



如果希望自行处置产品，必须按如下所述将电池取出，并根据当地法规进行处置。

- ◆ 最好通过操作设备直至电机停止将电池放电。
- ◆ 按下集尘仓释放按钮 (2)，然后取下集尘仓 (3)。
- ◆ 取下固定设备主体的五个螺丝。
- ◆ 提起组件上的外壳盖。
- ◆ 断开电池组的所有导线连接。
- ◆ 取下电池组和电机组件。
- ◆ 将电池组和电机组件装在合适的包装中，确保电池两极不会发生短路。
- ◆ 将电池组和电机组件送到您的服务代理处或当地的回收站。

一旦取出，电池无法重装。

服务信息

Black & Decker 提供覆盖整个亚洲的公司隶属和授权服务地点。所有的 Black & Decker 服务中心都具有训练有素的人员，为客户提供高效和可靠的电动工具服务。不论您需要技术建议、维修或原厂替换部件，请联系最靠近您的 Black & Decker 地点。

备注

- Black & Decker 的政策是持续改进我们的产品，因此，我们保留随时更改产品规格的权利，恕不另行通知。
- 标准设备和配件可能会因为不同的国家而有所不同。
- 产品规格可能会因为不同的国家而有所不同。
- 并非所有的国家都有提供完整的产品系列。
- 有关各产品系列的供应情况，请联系您当地的 Black & Decker 代理商。

生产商：史丹利百得精密制造（深圳）有限公司
中国深圳

NV3620, NV4820, NV6020, NW3620 及 NW4820 DUSTBUSTER

技術資料

Dustbuster		NV4820(H1) NW4820(H1)	NV3620(H1) NW3620(H1)	NV6020(H1)
電壓	V _{dc}	4.8	3.6	6.0
電池	類型	鎳鎘	鎳鎘	鎳鎘
重量	公斤	0.77	0.72	0.8

充電器

輸入電壓	V _{ac}	220	120	100-240
輸出電壓		5.8V _{dc}	5V _{ac}	27V _{dc}
電流	mA	130	200	85
大約充電時間	h	16	16	28
重量	公斤	0.15	0.14	0.06

設計用途

您的 Black & Decker Dustbuster® 手持真空吸塵器設計用於輕量的乾式吸塵用途 (NV3620、NV4820 及 NV6020)。本器具僅供家庭使用。

您的 Black & Decker Dustbuster® 手持真空吸塵器設計用於輕量的乾式吸塵用途 (NW3620 及 NW4820)。本器具僅供家庭使用。

安全指示



警告！請閱讀所有安全警告及使用指示。不遵循下列的這些警告和指示可能會導致觸電、火災及/或嚴重傷害。



警告！使用電池驅動的器具時，應始終遵循基本的安全預防措施，包括以下安全預防措施，以降低發生火災、電池漏電以及人身傷害和材料損壞的風險。

- ◆ 使用器具前，請仔細閱讀本手冊全部內容。
- ◆ 器具的設計用途在本手冊中進行了描述。使用非本使用手冊所建議的任何其他配件或附件，或使用本工具執行本使用手冊中所建議之外的任何其他操作，可能會導致人身傷害及/或財產損害的危險。
- ◆ 請妥善保存本手冊以備將來查閱。

使用您的器具

- ◆ 請勿使用器具吸取任何液體或任何易燃材料。
- ◆ 請勿在靠近水的地方使用器具。
- ◆ 請勿將器具浸入水中。
- ◆ 請勿拉扯充電器引線以將充電器從插座上拔下。讓充電器遠離熱、油和銳邊。
- ◆ 八歲以上的兒童，以及體力、感覺或智力不足，或者缺乏經驗及知識的人員若已獲得關於使用器具的監督或指示，並瞭解使用器具所包含的危險，均可以使用器具。不能讓小孩耍玩器具。請勿在沒有監督的情況下讓小孩對器具進行清潔和維護。

檢查和維修

- ◆ 使用前，請檢查器具是否有損壞或有故障的零件。檢查零件是否斷裂，開關是否損壞，以及是否有任何其他可能影響運行的情況。
- ◆ 若發現任何零件已損壞或有故障，請勿使用器具。
- ◆ 將所有受損或有故障的零件送往授權的維修中心進行維修或更換。
- ◆ 定期檢查充電器引線是否損壞。如有任何損壞或出現故障，請立即替換。
- ◆ 除了本手冊中指定的零件之外，切勿嘗試卸下任何其他零件或對其進行替換。

額外安全指示

剩餘風險

使用工具時可能會出現未包括於隨附安全警告中的其他剩餘風險。濫用、長時間使用等也會導致這些風險。即使應用有關的安全規定並採用安全設備，仍然還有一些無法避免的剩餘風險。這些風險包括：

- ◆ 接觸旋轉/活動零件所引起的傷害。
- ◆ 接觸熱零件所引起的傷害。
- ◆ 更換任何零件或配件所引起的傷害。
- ◆ 長時間使用工具所引起的傷害。長時間使用任何工具時，請確保定期休息。

電池和充電器

電池

- ◆ 無論什麼原因，都不要嘗試打開電池。
- ◆ 請勿將電池暴露在水中。
- ◆ 請勿將電池暴露在熱力中。
- ◆ 不要將電池儲存在溫度有可能會超過 40°C 的地方。
- ◆ 只在環境溫度介於 10°C 和 40°C 之間的情況下充電。

- ◆ 只能使用本器具/工具隨附的充電器為電池充電。使用不適當的充電器可能會導致觸電或電池過熱。
- ◆ 處置電池時，請遵循「保護環境」部份所提供的指示執行。
- ◆ 請勿刺穿或衝擊電池組導致其損壞或變形，這將有可能導致傷害及火災。
- ◆ 請勿為損壞的電池組充電。
- ◆ 在極端情形下，可能會出現電池漏電。當電池上出現液體時，請用布小心將其擦掉。避免與液體接觸。
- ◆ 若與皮膚接觸，請遵循以下指示。

警告！ 電池液體可能會導致個人傷害或財產損壞。如果電池液體接觸到皮膚，請立即以清水沖洗。如皮膚出現紅腫、痛楚或刺激反應，請尋求醫療協助。如電池液體接觸到眼睛，請立即以清水沖洗並尋求醫療協助。

充電器

您的充電器設計用於特定電壓。請務必檢查主電壓是否與銘牌以及技術資料表上的資訊一致。

警告！ 切勿嘗試使用一般的電源插頭取代充電器裝置。

- ◆ 只能使用器具/工具隨附的 Black & Decker 充電器為工具內的電池充電。其他非原廠電池可能會爆裂，導致人身傷害和損害。
- ◆ 切勿嘗試為不可再充電的電池充電。
- ◆ 若電源線損毀，必須送往製造廠商或授權的 Black & Decker 服務中心更換以避免發生危險。
- ◆ 請勿將充電器暴露在水中。
- ◆ 請勿打開充電器。
- ◆ 請勿刺破充電器。
- ◆ 充電時，必須將器具/工具/電池組置放在一個通風良好的地方。

電氣安全

您的充電器設計用於特定電壓。請務必檢查主電壓是否與銘牌一致。切勿嘗試使用一般的電源插頭取代充電器裝置。

功能零件

本工具包括以下部份或全部功能零件。

1. 電源開關
2. 釋放按鈕
3. 集塵筒
4. 充電器
5. 充電托架

圖 A

6. 乾用濾心 (僅用於 NV3620、NV4820 及 NV6020)
7. 外濾心 (僅用於 NV3620、NV4820 及 NV6020)
8. 濕/乾泡棉 (本款產品不適用)
9. 濕/乾變流裝置 (本款產品不適用)

圖 B

10. 橡膠清潔器 (本款產品不適用)
11. 刷具 (僅用於 NV3620、NV4820 及 NV6020)
12. 細縫吸嘴 (僅用於 NV3620、NV4820 及 NV6020)

安裝

牆面安裝 (圖 C)

本產品可以安裝於牆面，方便儲存以及為器具充電。安裝於牆面時，請確保安裝方式適合牆面類型，適合器具重量。

- ◆ 標記螺絲洞的位置 (確保將器具置放在牆面支架上時，附近有電源插座可充電)
- ◆ 請使用符合牆面類型與器具重量的螺絲和插頭，將充電托架安裝於牆面。
- ◆ 要將器具掛在牆上，請將器具底部的開口掛在牆面充電托架的鉤子上。

裝配

配件 (圖 B)

這些型號可能隨附下列一些配件：

- ◆ 橡膠清潔器 (本款產品不適用) 以在較硬的表面上清理液體。
- ◆ 刷具 (11) 以清潔傢具和樓梯。
- ◆ 細縫吸嘴 (12) 以清潔狹窄的空間。

安裝 (圖 D)

- ◆ 將適當的配件插入器具前方。確保配件已完全安裝於器具內。

使用說明

- ◆ 第一次使用之前，必須讓電池充電 24 個小時。
- ◆ 不使用時，請將器具置放在充電托架上。

警告！ 本款產品只能乾用，不能濕用，以避免您的器具在充電時出現損壞。

為電池充電 (圖 C)

- ◆ 確保器具電源已關閉。若器具開關處於“開啓”的位置，電池是無法充電的。
- ◆ 將器具置放在充電托架 (5) 上。
- ◆ 插入充電器。打開電源。
- ◆ 讓器具充電至少 16 小時。

電池在充電時可能會變熱，這是正常現象，不代表工具故障。器具可以一直與充電器保持連接。

警告！ 請勿在環境溫度低於 10°C 或高於 4°C 的情況下為電池充電。

開啓和關閉電源(圖 E)

- ◆ 若要開啓器具電源，請將電源開關 (1) 撥到位置 1。
- ◆ 若要關閉器具電源，請將電源開關 (1) 撥到位置 0。

乾用吸取(僅用於 NV3620、NV4820 及 NV6020)

- ◆ 清理日常散落的乾性物質。

濕用與乾用吸取(僅用於 NW3620 及 NW4820，本款產品不適用)

- ◆ 若要用器具清理日常散落的乾性物質，請勿使用橡膠清潔器。

警告！ 您的產品僅設計用於清理少量的散落物質。

- ◆ 本器具也可用於吸取日常的溢漏液體。在較硬、不吸收液體的表面上，請使用橡膠清潔器進行清潔。在能吸收液體的表面上，如地毯，若不使用橡膠清潔器，吸取液體的效果會更佳。
- ◆ 將橡膠清潔器插入集塵筒吸塵嘴開口，以方便在較硬表面上吸取液體。
- ◆ 要達到該配件的最佳使用效果，請將其以 45° 角握緊，然後將它拉向您。
- ◆ 請勿讓塵埃溢漏吸入槽。如集塵筒中有任何液體，請勿將裝置倒置、側放、將吸塵嘴朝上，或過渡搖晃裝置。
- ◆ 吸取液體之後，請立即清潔器具和濾心，避免裝置發霉或滋生細菌。
- ◆ 充電前，請確保將器具裡的所有液體倒空並擦乾淨，以避免您的器具在充電時出現損壞。

最佳化吸力

為保持吸力最佳化，請定期將濾心清潔乾淨。

清空和清潔產品。**卸下集塵筒和濾心(圖 F 及 G)。**

警告！ 濾心可以重複使用，並應定期清潔。

- ◆ 按下釋放按鈕 (2) 然後拔下集塵筒 (3)。
- ◆ 手持集塵筒放置於垃圾桶或水槽上方，然後拉出濾心將集塵筒清空。
- ◆ 若要重置集塵筒，請將其擺放回手柄上，直到聽到鎖定到位的“卡達”聲。

警告！ 操作器具時，一定要與濾心配合使用。清潔的濾心方可最佳化塵埃收集。

泡棉材料(圖 H)(僅用於 NW3620 及 NW4820，本款產品不適用)

- ◆ 將泡棉材料 (8) 置於濕/乾變流裝置 (9) 的中間。

警告！ 請勿在沒有安裝變流裝置和泡棉材料的情況下使用器具清理/吸取液體。

外濾心(圖 I)(僅用於 NV3620、NV4820 及 NV6020)

濾心和外濾心能夠被分開，讓清潔成果更有效。

- ◆ 逆時針轉動外濾心 (7) 然後將其與濾心 (6) 分開。

清潔集塵筒和濾心

- ◆ 可以使用溫肥皂水清洗集塵筒和濾心。
- ◆ 在重新安裝濾心和集塵筒前，請確保它們已完全乾透。

替換濾心

每次濾心磨損或損壞時，應該替換濾心。

您的 Black & Decker 代理商為您提供替換濾心：型號 NV3620、NV4820 及 NV6020：使用濾心零件編號 FLVD10-XJ

型號 NW3620 及 NW4820：使用濾心零件編號 FLWD10-XJ

維護

您的 Black & Decker 插電/充電器具/工具採用卓越的設計，能夠長時間使用，並且只需最少的維護。若要持續獲得滿意的操作效果，需進行正確的工維護和定期的清潔。

警告！ 在插電/充電電動工具上執行任何維護工作之前：

- ◆ 請關閉電源並拔下器具/工具的插頭。
- ◆ 或者，若器具/工具使用獨立電池組，請關閉電源並將電池從器具/工具卸下。
- ◆ 又或者，若電池屬於內建電池，請讓電池完全放電，然後再關閉電源。
- ◆ 清潔之前請拔下充電器的插頭。您的充電器除了定期清潔之外，並不需要執行任何維護操作。
- ◆ 定期使用軟刷或乾布清潔器具/工具/充電器內的通風槽。
- ◆ 定期使用濕布清潔電動機外殼。請勿使用任何研磨性或基於溶劑的清潔劑。

保護環境

分類收集。本產品必須與一般家庭廢物分開處置。

若您發現您的 Black & Decker 產品需要進行替換，或您已經不再需要使用這些產品，請不要將它們與家庭廢物一起處置。務必將本產品送往個別收集處。



分類收集用過的產品和包裝允許材料循環再生利用。重新使用循環利用的材料有助於防止環境污染，並減少原材料的需求。

當地法規可能要求由市政廢物回收點，或由向您出售新產品的經銷商來提供從家庭中分類收集電子產品的服務。

電池



如您想自行處置產品，請照以下指示取出電池並根據當地規定將其處置。

- ◆ 最好操作器具直至電動機停止，以將電池完全放電。
- ◆ 按下釋放按鈕 (2) 然後取下集塵筒 (3)。
- ◆ 取下器具的五個固定螺絲。
- ◆ 將外殼從裝置卸下。
- ◆ 拆下所有與電池組連接的電線。
- ◆ 取出電池組與電動機裝配。
- ◆ 將電池組與電動機裝配置放於特殊的包裝袋中，確保電源兩極不得短路。
- ◆ 將電池組與電動機裝配送往您的經銷商或當地的回收站。

電池取出後就無法重新裝回。

檢修資訊

Black & Decker 提供覆蓋整個亞洲的公司隸屬和授權服務地點。所有的 Black & Decker 檢修中心都具有訓練有素的人員，為客戶提供高效、可靠的電動工具服務。無論您需要技術建議、維修或原廠替換零件，請聯絡最靠近您的 Black & Decker 地點。

注意

- Black & Decker 的政策是持續改善我們的產品，因此，我們保留隨時變更產品規格的權利，恕不另行通知。
- 標準裝置和配件可能會根據不同的國家而有所不同。
- 產品規格可能會根據不同的國家而有所不同。
- 並非所有的國家都將提供完整的產品系列。
- 如需各產品系列的供應情況，請聯絡您當地的 Black & Decker 代理商。

經銷商: 特力股份有限公司
地址: 台北市內湖區新湖三路23號1.2.5樓
電話: 0800-552888

進口/委製廠商: 新加坡商百得電動工具(股)公司台灣分公司
地址: 台北市北投區裕民六路120號4樓
電話: 02-2820-1065

NV3620, NV4820, NV6020, NW3620 & NW4820 DUSTBUSTER

기술 데이터

진공청소기		NV4820(H1) NW4820(H1)	NV3620(H1) NW3620(H1)	NV6020(H1)
전압	V _{dc}	4.8	3.6	6.0
배터리	유형	NiCd	NiCd	NiCd
무게	kg	0.77	0.72	0.8
충전기				
입력 전압	V _{ac}	220	120	100-240
출력 전압		5.8V _{dc}	5V _{ac}	27V _{dc}
전류	mA	130	200	85
대략적 충전 시간	h	16	16	24
무게	kg	0.15	0.14	0.06

용도

Black & Decker Dustbuster® 핸디형 진공청소기는 초경량(NV3620, NV4820 및 NV6020)으로 설계되었습니다. 본 제품은 가정용입니다.

Black & Decker Dustbuster® 휴대용 진공 청소기는 가벼운 건습 진공 청소용(NW3620 및 NW4820)으로 설계되었습니다.

안전 지침



경고! 모든 안전 경고와 지시사항을 읽으십시오. 아래 나열된 경고와 지시 사항을 준수하지 않으면 감전, 화재 및/또는 심각한 부상을 초래할 수 있습니다.



경고! 배터리로 구동되는 제품을 사용할 때는 화재, 배터리 누액, 신체 부상 및 중대한 손상의 위험을 줄이기 위해 항상 다음과 같은 기본적인 안전 주의 사항에 따라 사용해야 합니다.

- ◆ 제품을 사용하기 전에 본 사용 설명서 전체 내용을 잘 읽고 숙지하십시오.
- ◆ 본 사용 설명서에 제품의 용도가 설명되어 있습니다. 본 사용 설명서에서 권장하는 방식 이외의 다른 방식으로 본 제품을 조작하거나 액세서리 또는 부착물을 사용하는 경우 신체 부상의 위험이 있을 수 있습니다.

- ◆ 향후 참고할 수 있도록 본 사용 설명서를 잘 보관하십시오.

제품 사용

- ◆ 본 제품으로 화재를 일으킬 수 있는 액체나 물질을 빨아들이지 마십시오.
- ◆ 본 제품을 물 근처에서 사용하지 마십시오.
- ◆ 본 제품을 물에 담그지 마십시오.
- ◆ 충전기를 소켓에서 분리할 때 절대로 충전기 리드 선을 잡아당기지 마십시오. 충전기 리드선이 열, 오일 및 날카로운 가장자리에 닿지 않도록 하십시오.
- ◆ 안전 책임자의 감독 또는 제품 사용과 관련된 지시 사항이 제공되고 관련된 위험 사항을 이해한 경우에만 8세 이상의 어린이 및 신체, 지각 또는 정신 능력이 낮거나 경험 및 지식이 부족한 사람이 본 제품을 사용할 수 있습니다. 어린이가 제품을 가지고 놀게 해서는 안됩니다. 청소 및 사용자 유지 보수를 할 때 감독 없이 어린이 혼자 해서는 안됩니다.

검사 및 수리

- ◆ 사용 전, 제품에 손상되거나 결함 있는 부품이 있는지 점검하십시오. 부품 파손, 스위치 손상 등 정상적 사용에 영향을 미칠 수 있는 부품이 있는지 점검하십시오.
- ◆ 손상되거나 결함 있는 부품이 있는 경우에는 제품을 사용하지 마십시오.
- ◆ 손상되거나 결함 있는 부품은 공인 수리 대리점에 의뢰하여 교체 또는 수리하십시오.
- ◆ 충전기 리드 선의 손상 여부를 주기적으로 점검하십시오. 리드 선이 손상되거나 결함이 발견되면 충전기를 교체하십시오.
- ◆ 본 사용 설명서에 명시된 내용 이외에는 어떤 부품도 제거하거나 교체하지 마십시오.

추가 안전 지침

기타 발생 가능한 위험.

청소기를 사용할 때 포함되어 있지 않은 위험이 발생할 수 있습니다. 이러한 위험은 오용, 장시간 사용 등으로 인해 발생할 수 있습니다. 관련된 안전 규정을 준수하고 안전 장치를 사용한다고 해도 어떤 위험은 피할 수 없습니다. 이러한 위험으로는 다음과 같은 것들이 있습니다.

- ◆ 작동 부품을 만져 발생하는 부상.
- ◆ 뜨거운 부품을 만져 발생하는 부상.
- ◆ 부품 또는 액세서리 변경으로 인한 부상.
- ◆ 장시간에 걸친 제품 사용으로 인한 부상. 어떤 제품이든 장시간에 걸쳐 사용할 때는 반드시 정기적인 휴식을 취하십시오.

배터리 및 충전기

배터리

- ◆ 어떤 이유론든 배터리 팩을 절대 열려고 하지 마십시오.
- ◆ 배터리에 물이 닿지 않도록 하십시오.
- ◆ 배터리가 열에 노출되지 않도록 하십시오.
- ◆ 온도가 40°C를 초과할 수 있는 곳에 보관하지 마십시오.
- ◆ 주변 온도가 10°C - 40°C 사이에 있을 때에만 충전하십시오.
- ◆ 충전할 때는 이 제품/공구와 함께 제공된 충전기만 사용해야 합니다. 잘못된 충전기를 사용하면 감전되거나 배터리가 과열될 수 있습니다.
- ◆ 배터리를 폐기할 때는 "환경 보호" 섹션에 나와 있는 지시 사항을 따르십시오.
- ◆ 부상을 당하거나 화재의 위험이 있을 수 있으므로 구멍이나 충격 등으로 배터리 팩을 손상/변형시키지 마십시오.
- ◆ 손상된 배터리를 충전하지 마십시오.
- ◆ 극한 상황에서, 배터리액 누출이 발생할 수 있습니다. 배터리에 액체가 보일 경우 행경을 사용하여 주의 깊게 닦아내십시오. 피부에 닿지 않도록 하십시오.
- ◆ 피부나 눈에 닿은 경우, 아래의 지침을 따르십시오.

경고! 배터리 액은 신체의 부상이나 재산상 손실을 가져올 수 있습니다. 피부에 닿으면, 즉시 물로 씻어내십시오. 홍반이나, 통증 또는 염증이 발생할 경우, 치료를 받으십시오. 눈에 들어간 경우, 즉시 깨끗한 물로 씻어내고 치료를 받으십시오.

충전기

본 충전기는 특정 전압에서 작동하도록 설계되었습니다. 전원 전압이 명판에 기재된 전압 및 기술 데이터 표의 정보와 일치하는지 항상 확인하십시오.

경고! 충전기를 절대로 일반 전원 플러그로 교체하지 마십시오.

- ◆ 제품/공구와 함께 제공된 배터리를 충전할 때는 Black & Decker 충전기만 사용하십시오. 다른 배터리를 사용하면 배터리가 폭발하여 신체 부상을 당하거나 손해를 입을 수 있습니다.
- ◆ 절대로 비충전식 배터리를 충전하려고 하지 마십시오.
- ◆ 전원 코드가 손상된 경우 사고가 발생하지 않도록 제조업체 또는 공인 Black & Decker 서비스 센터에서 교체해야 합니다.
- ◆ 충전기에 물이 닿지 않도록 하십시오.
- ◆ 충전기를 해체하거나 열지 마십시오.
- ◆ 충전기를 시험하지 마십시오.

- ◆ 제품/공구/배터리는 충전 시 환기가 잘되는 장소에 두어야 합니다.

전기 안전

본 충전기는 특정 전압에서 작동하도록 설계되었습니다. 전원 전압이 명판에 기재된 전압과 일치하는지 항상 확인하십시오. 충전기를 절대로 일반 전원 플러그로 교체하지 마십시오.

충전기에 붙은 기호



이 기호는 공구가 이중으로 절연되어 있으므로 접지선이 필요 없다는 의미입니다. 전원이 전동기 네임 플레이트에 기재된 전압과 일치하는지 항상 확인하십시오.

기능

본 공구에는 다음 기능들 중 일부 또는 모두가 포함되어 있습니다.

1. On/Off 스위치
2. 먼지통 탈착 버튼
3. 먼지통
4. 충전기
5. 충전 브라켓

그림 A

6. 드라이 픽업 형경 필터(NV3620, NV4820 및 NV6020만 해당)
7. 프리필터(NV3620, NV4820 및 NV6020만 해당)
8. 건습 폼 인서트(NW3620 및 NW4820만 해당)
9. 건습 디플렉터(NW3620 및 NW4820만 해당)

그림 B

10. 고무 청소기(NW3620 및 NW4820만 해당)
11. 브러시 도구(NV3620, NV4820 및 NV6020만 해당)
12. 틈새 도구(NV3620, NV4820 및 NV6020만 해당)

설치

벽 장착(그림 C)

제품을 벽에 고정시켜 청소기를 편리하게 보관하며 충전을 할 수 있습니다. 벽면에 고정하는 경우 벽의 재질에 맞는 고정 방법을 이용하고 제품 무게를 견딜 수 있는지 확인하십시오.

- ◆ 나사 구멍의 위치를 표시합니다(벽 브라켓에 있을 때는 진공 청소기 충전을 위해 전기 콘센트 도달 범위 내에).
- ◆ 벽의 유형과 제품 무게에 적절한 나사와 플러그를 사용하여 벽에 장착 브라켓을 고정합니다.
- ◆ 벽 장착 충전 브라켓의 고리에 진공 청소기 하단에 있는 구멍을 넣어서 벽에 제품을 겁니다.

조립

액세서리(그림 C)

이 모델은 다음과 같은 몇 가지 액세서리와 함께 제공될 수 있습니다.

- ◆ 딱딱한 표면에서 습식 사용을 위한 고무 롤러(10).
- ◆ 가구 및 계단을 청소할 때 이용하는 브러시 도구(11).
- ◆ 비좁은 공간을 청소할 때 이용하는 틈새 도구(12).

장착(그림 D)

- ◆ 제품 전면에 해당 액세서리를 끼웁니다. 액세서리가 완전히 들어갔는지 확인하십시오.

사용 방법

- ◆ 처음 사용하기 전에 배터리를 적어도 24시간 동안 충전해야 합니다.
- ◆ 제품을 사용하지 않을 때에는 항상 충전 브라켓에 놓으십시오.

경고! 제품 손상을 방지하려면 충전하기 전에 모든 액체 내용물을 비우고 완전히 건조시키십시오.

배터리 충전(그림 C)

- ◆ 제품 스위치가 꺼져 있는지 반드시 확인합니다. On/Off 스위치가 On 위치에 있으면 배터리가 충전되지 않습니다.
- ◆ 제품을 충전 브라켓(5) 위에 올려 놓습니다.
- ◆ 충전기 플러그를 꽂습니다. 전원 스위치를 켭니다.
- ◆ 제품을 그대로 두어 적어도 19시간 동안 충전합니다.

충전 중에 충전기가 뜨거워질 수도 있습니다. 이는 정상적 현상이며 고장이 아닙니다. 제품을 충전기에 계속 꽂아두어도 무방합니다.

경고! 주변 온도가 4°C 미만이거나 40°C를 초과했을 때는 배터리를 충전하지 마십시오.

전원 켜기 및 끄기(그림 E)

- ◆ 제품을 켜려면 on/off 스위치(1)를 1 위치 앞쪽으로 밀습니다.
- ◆ 제품을 끄려면 on/off 스위치(1)를 0 위치 뒤로 밀습니다.

드라이 픽업(NV3620, NV4820 및 NV6020만 해당)

- ◆ 일상적으로 발생하는 마른 부스레기들.

건습 픽업(NW3620 및 NW4820만 해당)

- ◆ 일상적으로 흘리는 건성 물질의 경우 고무 롤러 액세서리 없이 제품을 사용하십시오.

경고! 본 제품은 가볍게 흘린 액체 전용입니다.

- ◆ 이 제품은 또한 일상적으로 흘리는 액체를 치우는 데 사용할 수도 있습니다. 흡수력이 없는 단단한 표면에서는 고무 롤러 액세서리를 사용하십시오.

카펫 등 흡수력이 있는 표면에서는 액세서리 없이 젖은 유출물을 더 잘 치울 수 있습니다.

- ◆ 단단한 표면에서 최상의 젖은 물질 청소를 위해 먼지통 노즐 구멍에 고무 롤러를 끼웁니다.
- ◆ 이 액세서리를 사용할 때 최상의 결과를 위해 제품을 45도 각도로 잡고 천천히 사용자 쪽으로 당기십시오.
- ◆ 흡입구 활송 장치 끝을 넘게 먼지통을 채우지 마십시오. 먼지통에 액체가 남아 있을 경우, 장치를 거꾸로, 옆으로 돌리거나, 노즐이 위쪽을 향하게 하거나 진공 청소기를 과도하게 흔들지 마십시오.
- ◆ 액체 물질을 치운 후에는 제품과 필터를 즉시 청소하십시오. 젖은 액체를 청소한 후 제품을 제대로 청소하지 않을 경우 곰팡이가 필 수 있습니다.
- ◆ 제품 손상을 방지하려면 충전하기 전에 모든 액체 내용물을 비우고 완전히 건조시키십시오.

흡입력 최적화

흡입력을 최적 상태로 유지하려면 사용 중에 필터를 정기적으로 청소해야 합니다.

제품 비우기 및 청소.

먼지통 및 필터 분리(그림 F 및 G)

경고! 필터는 재사용이 가능하며 주기적으로 청소해야 합니다.

- ◆ 먼지통 탈착 버튼(2)을 누르고 먼지통(3)을 똑바로 당깁니다.
- ◆ 먼지통을 쓰레기통 또는 싱크대 위로 잡고 있는 상태에서, 필터를 빼서 먼지통의 내용물을 비웁니다.
- ◆ 먼지통을 교체하려면, 제자리에서 “딸깍”하는 소리를 낼 때까지 제자리에 다시 놓습니다.

경고! 절대로 필터 없이 제품을 사용하지 마십시오. 깨끗한 필터가 장착되어 있어야 먼지 청소가 최적으로 수행됩니다.

폼 인서트(그림 H) (NW3620 및 NW4820만 해당)

- ◆ 건습 디플렉터(9)의 중앙에 폼 인서트(8)를 놓으십시오.

경고! 워터 디플렉터와 폼 인서트를 장착하지 않은 상태에서 젖은 물질을 청소하는 데 본 제품을 사용하지 마십시오.

프리필터(그림 I) (NV3620, NV4820 및 NV6020만 해당)

필터와 프리 필터는 더 깨끗한 청소를 위해 분리할 수 있습니다.

- ◆ 프리필터(7)를 시계 반대 방향으로 비틀어 필터(6)에서 들어 올립니다.

먼지통 및 필터 청소

- ◆ 먼지통과 필터는 따뜻한 비눗물로 씻을 수 있습니다.
- ◆ 다시 장착하기 전에 필터와 먼지통이 건조되었는지 확인하십시오.

필터 교체

필터는 매 6~9개월에 한 번 또는 닳거나 손상될 때마다 교체해야 합니다.

교체 필터는 Black & Decker 판매점에서 구입할 수 있습니다.

모델 번호: NV3620, NV4820 및 NV6020의 경우 부품 번호 FLVD10-XJ 사용.

모델 번호: NW3620 및 NW4820의 경우 필터 부품 번호 FLWD10-XJ 사용.

유지 보수

Black & Decker 유선/무선 기기/공구는 최소한의 유지보수로 장기간에 걸쳐 작업이 가능하도록 설계되어 있습니다. 만족스러운 연속 작동은 적절한 공구 관리와 정기적인 청소에 따라 그 성능이 달라질 수 있습니다.

경고! 유선/무선 전동 공구에 유지보수를 수행하기 전에:

- ◆ 제품/공구의 전원 플러그를 뽑으십시오.
- ◆ 또는 제품/공구에 별도의 배터리 팩이 있을 경우 전원을 끄고 제품/공구에서 배터리를 분리합니다.
- ◆ 또는 내장되어 있는 경우 배터리를 완전히 멈춘 다음 전원을 끕니다.
- ◆ 충전기를 청소하기 전에 충전기의 플러그를 뽑으십시오. 충전기는 정기적인 청소 이외에 유지 보수가 필요하지 않습니다.
- ◆ 부드러운 브러시와 마른 헝겊으로 기기/공구/충전기의 환기 슬롯을 주기적으로 청소하십시오.
- ◆ 젖은 헝겊으로 모터 하우징을 주기적으로 청소하십시오. 연마제 및 유성 클리너를 사용하지 마십시오.

환경 보호



분리 수거. 본 제품을 일반 가정용 쓰레기로 처리하면 안됩니다.

Black & Decker 제품을 교체해야 하거나 더 이상 쓸모가 없어졌다고 판단되면 본 제품을 가정용 쓰레기로 처리하지 마십시오. 이 제품은 분리 수거하십시오.



사용하던 제품과 포장을 분리 수거하면 자원을 재활용 및 재사용할 수 있습니다. 재활용 자원을 이용하면 환경 오염이 방지되고 고철 자원에 대한 수요를 줄일 수 있습니다.

지역에 따라 가정용 가전제품을 분리 수거하는 규정이 마련되어 있거나 새로운 제품을 구입할 때 판매점에서 폐기 방법을 알려줄 수 있습니다.

배터리



제품을 자체적으로 폐기하려는 경우, 아래 설명에 따라 배터리를 제거하고 지역 법규에 따라 폐기해야 합니다.

- ◆ 모터가 멈출 때까지 제품을 작동시켜 배터리를 방전시키는 것이 좋습니다.
- ◆ 먼지통 탈착 버튼(2)을 누르고 먼지통(3)을 제거합니다.
- ◆ 제품 몸체를 함께 고정하고 있는 나사 5개를 제거합니다.
- ◆ 조립에서 하우징 덮개를 들어 올립니다.
- ◆ 배터리 팩에서 모든 납 접속부를 떼어냅니다.
- ◆ 배터리 팩과 모터 어셈블리를 분리합니다.
- ◆ 단자가 단락되지 않도록 주의하여 배터리 팩과 모터 어셈블리를 적당히 포장합니다.
- ◆ 배터리 팩과 모터 어셈블리를 서비스 대리점이나 지역 재활용 센터로 가져가십시오.

일단 떼어낸 배터리는 다시 장착하여 사용할 수 없습니다.

서비스 정보

Black & Decker는 대한민국 전역에 영업소를 자체 운영하거나 공인 서비스 센터를 두고 있습니다. 모든 Black & Decker 서비스 센터에는 교육을 이수한 전문 직원이 배치되어 있어 고객에게 효과적이고 믿을 수 있는 전동 공구 서비스를 제공하고 있습니다. 기술 지원, 수리 또는 순정 교체 부품이 필요한 모든 경우에 가까운 Black & Decker로 연락하십시오.

참고사항

- Black & Decker는 제품을 지속적으로 개선시키기 때문에 사전 통지 없이 제품 사양이 변경될 수 있습니다.
- 기본 장비 및 액세서리 구성은 각 국가에 따라 다를 수 있습니다.
- 제품 사양은 국가에 따라 다를 수 있습니다.
- 국가에 따라 판매하지 않는 제품도 있을 수 있습니다.
- 제품 판매 여부는 해당 지역에 있는 Black & Decker 판매점으로 문의하십시오.

PEMBERSIH DEBU NV3620, NV4820, NV6020, NW3620, & NW4820

Data teknis

Pembersih debu		NV4820(H1) NW4820(H1)	NV3620(H1) NW3620(H1)	NV6020(H1)
Voltase	V_{dc}	4,8	3,6	6,0
Baterai	Tipe	NiCd	NiCd	NiCd
Berat	kg	0,77	0,72	0,8

Pengisi daya

Voltase input	V_{ac}	220	120	100-240
Voltase output		$5,8V_{dc}$	$5V_{ac}$	$27V_{dc}$
Arus	mA	130	200	85
Kisaran waktu isi ulang daya	h	16	16	28
Berat	kg	0,15	0,14	0,06

Tujuan penggunaan

Pengisap debu genggam Black & Decker Dustbuster® Anda dirancang sebagai pengisap debu ringan untuk kondisi kering (NV3620, NV4820 & NV6020). Peralatan ini hanya ditujukan untuk penggunaan di rumah.

Pengisap debu genggam Black & Decker Dustbuster® Anda dirancang sebagai pengisap debu ringan untuk kondisi kering dan basah (NW3620 & NW4820). Peralatan ini hanya ditujukan untuk penggunaan di rumah.

Petunjuk keselamatan



Peringatan! Baca seluruh peringatan keselamatan dan seluruh petunjuk. Kelalaian dalam mengikuti semua peringatan dan petunjuk yang tercantum di bawah ini dapat mengakibatkan sengatan listrik, kebakaran, dan/atau cedera serius.



Peringatan! Bila menggunakan peralatan bertenaga baterai, tindakan pencegahan dasar untuk keselamatan, termasuk yang berikut, harus selalu diikuti untuk mengurangi risiko kebakaran, kebocoran baterai, cedera tubuh, dan kerusakan bahan.

- ◆ Bacalah seluruh isi panduan ini dengan saksama sebelum mengoperasikan peralatan.
- ◆ Tujuan penggunaan alat ini dijelaskan dalam buku

petunjuk ini. Penggunaan aksesoris atau peralatan tambahan atau pengoperasian peralatan selain yang disarankan dalam panduan yang disarankan dalam panduan penggunaan ini dapat menimbulkan risiko cedera diri.

- ◆ Simpan buku petunjuk ini sebagai referensi di masa mendatang.

Menggunakan peralatan Anda

- ◆ Jangan gunakan peralatan untuk membersihkan cairan atau bahan yang dapat terbakar.
- ◆ Jangan gunakan peralatan di dekat air.
- ◆ Jangan masukkan peralatan ke dalam air.
- ◆ Jangan tarik kepala pengisi daya untuk melepaskan sambungan pengisi daya dari soket. Jauhkan kepala pengisi daya dari panas, minyak, dan tepi tajam.
- ◆ Peralatan ini dapat digunakan oleh anak-anak yang berusia 8 tahun ke atas dan orang-orang dengan fisik, indera, atau mental yang terbatas atau kurang pengalaman dan pengetahuan jika mereka telah diberi pengawasan atau petunjuk yang berkaitan dengan penggunaan peralatan ini dengan cara yang aman dan memahami adanya bahaya yang terkait. Anak-anak dilarang bermain-main dengan peralatan ini. Pembersihan dan perawatan pengguna tidak boleh dilakukan oleh anak-anak tanpa pengawasan.

Pemeriksaan dan perbaikan

- ◆ Sebelum digunakan, periksa apakah ada komponen peralatan yang rusak atau cacat. Periksa apakah ada bagian yang patah, kerusakan tombol, dan kondisi lain yang dapat mempengaruhi pengoperasiannya.
- ◆ Jangan gunakan peralatan ini jika ada komponen yang rusak atau cacat.
- ◆ Minta agen perbaikan resmi untuk memperbaiki atau mengganti bagian yang rusak maupun cacat.
- ◆ Periksa secara rutin kepala pengisi daya untuk mengetahui adanya kerusakan. Ganti pengisi daya jika kepala rusak atau cacat.
- ◆ Jangan pernah coba melepas atau mengganti bagian apa pun selain yang ditentukan dalam panduan ini.

Petunjuk keselamatan tambahan

Risiko residual.

Risiko-risiko lain dapat timbul saat menggunakan perkakas, yang mungkin tidak tercantum dalam peringatan keselamatan yang disertakan. Risiko ini dapat timbul karena penggunaan yang salah atau penggunaan yang dalam jangka waktu yang lama, dll. Sekalipun peraturan keselamatan terkait sudah diterapkan dan peralatan pengaman sudah digunakan, risiko-risiko residual tidak dapat dihindari. Ini meliputi:

- ◆ Cedera karena menyentuh komponen bergerak mana pun.
- ◆ Cedera akibat menyentuh komponen panas mana pun.
- ◆ Cedera yang terjadi saat mengganti komponen atau aksesoris.
- ◆ Cedera akibat penggunaan peralatan ini selama jangka waktu yang lama. Jika menggunakan peralatan apa pun selama jangka waktu yang lama, pastikan Anda mengistirahatkannya secara berkala.
- ◆ Jangan pernah mengisi ulang daya baterai yang tidak dapat diisi ulang.
- ◆ Jika rusak, kabel daya harus diganti oleh produsen atau Pusat Layanan Black & Decker resmi guna menghindari terjadinya bahaya.
- ◆ Jangan paparkan pengisi daya pada air.
- ◆ Jangan membuka pengisi daya.
- ◆ Jangan membongkar untuk memeriksa bagian dalam pengisi daya.
- ◆ Peralatan/perkakas/baterai harus diletakkan di tempat dengan sirkulasi udara yang baik saat melakukan pengisian daya.

Baterai dan pengisi daya

Baterai

- ◆ Jangan pernah membuka baterai dengan maksud apa pun.
- ◆ Jangan paparkan baterai pada air.
- ◆ Jangan paparkan baterai pada panas.
- ◆ Jangan simpan di lokasi yang suhunya melebihi 40°C.
- ◆ Lakukan pengisian daya hanya pada suhu lingkungan antara 10°C hingga 40°C.
- ◆ Isi ulang daya hanya menggunakan pengisi daya yang disertakan bersama peralatan/perkakas tersebut. Memakai pengisi daya yang tidak sesuai dapat mengakibatkan sengatan listrik atau baterai terlalu panas.
- ◆ Saat membuang baterai, ikuti petunjuk yang diberikan dalam bagian "Melindungi Lingkungan".
- ◆ Jangan merusak/mengubah kemasan baterai baik dengan cara menusuk atau menembuknya, karena hal tersebut dapat menimbulkan risiko cedera dan kebakaran.
- ◆ Jangan mengisi daya baterai yang sudah rusak.
- ◆ Dalam kondisi ekstrem, kebocoran baterai dapat terjadi. Bila Anda mendapati ada cairan pada baterai, segera bersihkan cairan tersebut menggunakan kain lap. Hindari bersentuhan dengan kulit.
- ◆ Jika terjadi sentuhan dengan kulit atau mata, ikutilah petunjuk-petunjuk di bawah.

Peringatan! Cairan baterai dapat mengakibatkan cedera diri atau kerusakan pada benda-benda milik pribadi. Jika tersentuh kulit, segera bilas dengan air. Jika terjadi radang, nyeri, atau iritasi, carilah bantuan medis. Jika terkena mata, segera bilas dengan air dan cari bantuan medis.

Pengisi daya

Pengisi daya Anda telah dirancang untuk beroperasi pada voltase tertentu. Selalu periksa apakah voltase listrik sudah sesuai dengan tegangan yang tercantum pada pelat spesifikasi dan informasi yang ada pada tabel data teknis.

Peringatan! Jangan pernah mencoba untuk mengganti unit pengisi daya dengan steker listrik biasa.

- ◆ Hanya gunakan pengisi daya Black & Decker Anda yang telah disertakan untuk mengisi daya baterai dalam peralatan/perkakas. Baterai lain dapat meledak, menyebabkan cedera diri dan kerusakan.

Keselamatan kelistrikan

Pengisi daya Anda telah dirancang untuk beroperasi pada voltase tertentu. Selalu periksa apakah voltase listrik sudah sesuai dengan tegangan yang tercantum pada pelat spesifikasi. Jangan pernah mencoba untuk mengganti unit pengisi daya dengan steker listrik biasa.

Simbol pada pengisi daya



Simbol ini menandakan perkakas ini berisolasi ganda; oleh sebab itu tidak perlu kabel arde (ground). Selalu periksa apakah catu daya sesuai dengan nilai tegangan yang tercantum pada papan nilai.

Fitur-Fitur

Peralatan ini memiliki beberapa atau semua fitur berikut ini.

1. Sakelar on/off
2. Tombol pelepas wadah
3. Wadah debu
4. Pengisi daya
5. Siku pengisi daya

Gbr. A

6. Penyaring kain untuk pembersihan kering (Khusus NV3620, NV4820, & NV6020)
7. Penyaring depan (Khusus NV3620, NV4820, & NV6020)
8. Masukan busa basah/kering (Khusus NW3620 & NW4820)
9. Deflektor masukan basah/kering (Khusus NW3620 & NW4820)

Gbr. B

10. Alat pembersih dari karet (Khusus NW3620 & NW4820)
11. Sikat (Khusus NV3620, NV4820, & NV6020)
12. Pembersih celah (Khusus NV3620, NV4820, & NV6020)

Pemasangan

Pemasangan Di Tembok (gbr. C)

Produk dapat dipasang ke dinding untuk kemudahan penyimpanan serta sebagai titik pengisian daya untuk perkakas ini. Saat memasangnya di dinding, pastikan bahwa metode pemasangannya sesuai dengan jenis dinding dan sesuai dengan berat peralatan.

- ◆ Tandai lokasi lubang sekrup (terjangkau oleh stopkontak untuk pengisian daya alat pembersih saat berada pada siku dinding).
- ◆ Pasang siku pemasangan ke dinding menggunakan sekrup dan colokan yang sesuai dengan jenis dinding dan berat peralatan.
- ◆ Gantungkan peralatan di dinding dengan menempatkan bukaan dudukan alat pembersih di atas kait yang ada dalam siku pengisi daya pemasangan dinding.

Perakitan

Aksesori (gbr.B)

Model-model ini dapat dilengkapi dengan beberapa aksesori berikut:

- ◆ Alat pembersih dari karet (10) untuk digunakan pada permukaan keras yang basah.
- ◆ Sikat (11) untuk furnitur dan tangga.
- ◆ Pembersih celah (12) untuk tempat sempit.

Pemasangan (Gbr. D)

- ◆ Masukkan aksesori yang tepat ke dalam bagian depan peralatan. Pastikan aksesornya dimasukkan secara penuh.

Penggunaan

- ◆ Sebelum penggunaan pertama, daya baterai harus diisi minimal selama 24 jam.
- ◆ Letakkan peralatan di atas siku pengisi daya bila sedang tidak digunakan.

Peringatan! Sebelum mengisi daya, pastikan Anda mengosongkan semua cairan dan keringkan secara menyeluruh, agar peralatan Anda tidak rusak.

Mengisi ulang baterai (Gbr. C)

- ◆ Pastikan peralatan dimatikan. Daya baterai tidak akan terisi bila tombol hidup/mati berada di posisi hidup.
- ◆ Letakkan peralatan di atas siku pengisi baterai (5).
- ◆ Sambungkan pengisi daya ke sumber listrik. Hidupkan daya.
- ◆ Biarkan daya peralatan diisi minimal selama 19 jam. Sewaktu mengisi daya, pengisi daya mungkin menjadi hangat. Ini normal dan tidak menunjukkan adanya masalah. Peralatan dapat dibiarkan terus tersambung ke pengisi daya.

Peringatan! Jangan isi daya baterai pada suhu sekitar di bawah 10°C atau di atas 40°C.

Menghidupkan dan mematikan (gbr. E)

- ◆ Untuk menghidupkan, geser maju sakelar on/off (1) ke posisi 1.
- ◆ Untuk mematikan, geser mundur sakelar on/off (1) ke posisi 0.

Pembersihan kering (Khusus NV3620, NV4820, & NV6020)

- ◆ Untuk tumpahan bahan kering setiap hari.

Pembersihan kotoran basah/kering (Khusus NW3620 & NW4820)

- ◆ Untuk tumpahan materi kering setiap hari, gunakan peralatan Anda tanpa menggunakan aksesori pembersih dari karet.

Peringatan! Produk Anda dirancang hanya untuk tumpahan ringan.

- ◆ Peralatan ini juga dapat digunakan untuk membersihkan tumpahan cair setiap hari. Gunakan aksesori pembersih dari karet pada permukaan keras dan tidak menyerap. Pada permukaan yang menyerap seperti karpet, peralatan akan membersihkan cairan secara lebih baik tanpa aksesori.
- ◆ Untuk kinerja terbaik pada pembersihan kotoran basah permukaan yang keras, masukkan alat pembersih dari karet ke dalam bukaan nosel wadah.
- ◆ Untuk hasil terbaik saat menggunakan aksesori ini, pegang peralatan ini dengan sudut 45° dan tarik perlahan ke arah Anda.
- ◆ Jangan isi wadah melebihi ujung saluran masuk. Jika terdapat cairan dalam wadah, jangan balikkan unit, jangan putar ke samping, jangan arahkan corong ke atas, atau jangan goyangkan alat pembersih secara berlebihan.
- ◆ Setelah membersihkan cairan, segera bersihkan peralatan dan penyaring. Lumut dan jamur dapat terbentuk jika unit tidak dibersihkan dengan benar setelah membersihkan kotoran yang basah.
- ◆ Sebelum mengisi daya, pastikan Anda mengosongkan semua cairan dan keringkan secara menyeluruh, agar peralatan Anda tidak rusak.

Mengoptimalkan daya hisap

Agar daya hisap peralatan ini terus dapat dioptimalkan, penyaring harus dibersihkan secara berkala setelah digunakan.

Mengosongkan dan membersihkan produk.

Melepas wadah dan penyaring debu (gbr. F & G).

Peringatan! Penyaring ini dapat digunakan kembali dan harus dibersihkan secara teratur.

- ◆ Tekan tombol pelepas (2), lalu lepas wadah debu (3).

- ◆ Saat memegang peralatan di atas wadah atau wastafel, tarik keluar penyaringnya untuk mengosongkan isi yang ada dalam wadah tersebut.
- ◆ Untuk mengganti wadah debu, masukkan wadah debu ini ke dalam pegangan sampai benar-benar "pas" pada posisinya.

Peringatan! Jangan pernah gunakan peralatan tanpa penyaring. Pengumpulan debu yang optimal hanya dapat dicapai jika menggunakan penyaring yang bersih.

Masukan busa (gbr. H) (Khusus NW3620 & NW4820)

- ◆ Letakkan masukan busa (8) ke bagian tengah deflektor basah/kering (9).

Peringatan! Jangan pernah gunakan peralatan ini untuk aplikasi basah tanpa dipasang deflektor air dan masukan busa.

Penyaring depan (gbr. I) (Khusus NV3620, NV4820, & NV6020)

Penyaring dan penyaring depan dapat dipisahkan agar mendapatkan hasil pembersihan yang lebih baik.

- ◆ Putar penyaring depan (7) berlawanan jarum jam dan angkat dari penyaring (6).

Membersihkan wadah debu dan penyaring

- ◆ Wadah debu dan penyaring dapat dicuci dengan air sabun yang hangat.
- ◆ Pastikan filter dan wadah debu dalam keadaan kering sebelum dipasang ulang.

Mengganti penyaring

Penyaring harus diganti setiap 6 hingga 9 bulan dan ketika dalam kondisi aus atau rusak.

Penyaring pengganti tersedia di dealer Black & Decker Anda:

Untuk model: NV3620, NV4820, & NV6020, gunakan bagian penyaring nomor FLVD10-XJ

Untuk model: NW3620 & NW4820, gunakan bagian penyaring nomor FLWD10-XJ

Perawatan

Perkakas/peralatan listrik berkabel/nirkabel Black & Decker telah dirancang untuk penggunaan jangka panjang dengan perawatan minimal. Kelanjutan hasil pengoperasian yang memuaskan tergantung pada pemeliharaan alat yang benar serta pembersihan yang teratur.

Peringatan! Sebelum melakukan pemeliharaan apa pun pada perkakas listrik berkabel/nirkabel:

- ◆ Matikan dan cabut peralatan/perkakas.
- ◆ Atau, matikan dan lepaskan baterai dari peralatan/perkakas jika peralatan/perkakas memiliki kemasan baterai terpisah.

- ◆ Atau, jika baterai terintegrasi, kosongkan baterai sama sekali, kemudian matikan.
- ◆ Lepas pengisi daya sebelum membersihkannya. Pengisi daya tidak membutuhkan perawatan lain di luar pembersihan berkala.
- ◆ Bersihkan celah-celah ventilasi peralatan/perkakas/pengisi daya Anda secara berkala menggunakan sikat lembut atau kain kering.
- ◆ Bersihkan kerangka mesin secara teratur dengan menggunakan kain bersih yang lembap. Jangan gunakan bahan pembersih abrasif atau pembersih berbahan dasar larutan apa pun.

Melindungi lingkungan



Pengumpulan terpisah. Produk ini tidak boleh dibuang bersama limbah rumah tangga biasa.

Jika produk Black & Decker Anda perlu diganti, atau tidak lagi digunakan, jangan buang bersama sampah rumah tangga. Pisahkan pengumpulan produk ini.



Pengumpulan produk dan kemasan bekas secara terpisah memungkinkan material untuk didaur ulang dan digunakan lagi. Penggunaan kembali bahan yang didaur ulang akan membantu mencegah pencemaran lingkungan serta mengurangi kebutuhan akan bahan baku.

Undang-undang setempat mungkin memfasilitasi pengumpulan produk-produk elektrik terpisah dari sampah rumah tangga, di tempat pembuangan sampah kota atau oleh pedagang ritel pada saat Anda membeli produk baru.

Baterai



Jika Anda ingin membuang sendiri produk, baterai harus dilepaskan seperti yang dijelaskan di bawah dan dibuang sesuai dengan peraturan setempat.

- ◆ Sebaiknya habiskan daya baterai dengan mengoperasikan peralatan hingga mesin berhenti.
- ◆ Tekan tombol pelepas wadah (2), lalu lepas wadah debu (3).
- ◆ Lepas lima sekrup sambil menahan bodi peralatan tersebut secara bersama.
- ◆ Angkat tutup wadah dari rangkaian.
- ◆ Lepas semua sambungan utama dari kemasan baterai.
- ◆ Lepas kemasan baterai dan rangkaian mesin.
- ◆ Letakkan kemasan baterai dan rangkaian mesin dalam kemasan yang sesuai untuk memastikan terminal tidak mengalami hubungan arus pendek.

- ◆ Bawa kemasan baterai dan rangkaian mesin ke agen layanan Anda atau stasiun daur ulang setempat. Setelah dilepas, baterai tidak dapat dipasang kembali.

Informasi Servis

Black & Decker menawarkan jaringan lengkap milik perusahaan dan lokasi servis resmi di seluruh Asia. Semua Pusat Layanan Black & Decker memiliki staf terlatih agar dapat memberikan layanan alat listrik yang efisien dan andal kepada konsumen. Bila Anda membutuhkan saran teknis, perbaikan, atau suku cadang pengganti asli pabrik, hubungi lokasi Black & Decker terdekat.

Catatan

- Black & Decker memiliki kebijakan untuk terus meningkatkan produk dan karenanya, kami berhak mengubah spesifikasi produk tanpa pemberitahuan sebelumnya.
- Perlengkapan dan aksesoris standar mungkin akan berbeda di setiap negara.
- Spesifikasi produk dapat berbeda menurut negara.
- Rangkaian produk yang lengkap mungkin tidak tersedia di semua negara.
- Untuk mengetahui ketersediaan rangkaian, hubungi dealer Black & Decker setempat.

MÁY HÚT BỤI NV3620, NV4820, NV6020, NW3620 & NW4820

Thông số kỹ thuật

Máy hút bụi		NV4820(H1) NW4820(H1)	NV3620(H1) NW3620(H1)	NV6020(H1)
Điện áp	V _{dc}	4,8	3,6	6,0
Pin	Loại	NiCd	NiCd	NiCd
Trọng lượng	kg	0,77	0,72	0,8

Bộ sạc

Điện áp đầu vào	V _{ac}	220	120	100-240
Điện áp đầu ra		5,8V _{dc}	5V _{ac}	27V _{dc}
Dòng điện	mA	130	200	85
Thời gian sạc xấp xỉ	h	16	16	28
Trọng lượng	kg	0,15	0,14	0,06

Mục đích sử dụng

Máy hút bụi chân không cầm tay Black & Decker Dustbuster® được thiết kế để hút bụi khô và nhẹ (NV3620, NV4820 & NV6020). Thiết bị này được thiết kế sử dụng trong hộ gia đình.

Máy hút bụi chân không cầm tay Black & Decker Dustbuster® đã được thiết kế để hút bụi khô và ướt nhẹ (NW3620 & NW4820). Thiết bị này được thiết kế sử dụng trong hộ gia đình.

Hướng dẫn an toàn



Cảnh báo! Đọc tất cả các cảnh báo và hướng dẫn về an toàn. Việc không tuân theo các cảnh báo và hướng dẫn được liệt kê dưới đây có thể gây giật điện, cháy nổ và/hoặc chấn thương nghiêm trọng.



Cảnh báo! Khi sử dụng các dụng cụ chạy bằng pin, luôn đảm bảo tuân theo các biện pháp phòng ngừa an toàn cơ bản dưới đây để giảm thiểu nguy cơ cháy nổ, rò rỉ pin, chấn thương cá nhân và làm hỏng vật liệu.

- ◆ Đọc toàn bộ hướng dẫn này cẩn thận trước khi sử dụng thiết bị.

- ◆ Mục đích sử dụng được mô tả trong tài liệu hướng dẫn này. Việc sử dụng bất kỳ phụ kiện hay đồ gá hoặc thực hiện vận hành thiết bị này ngoài các mục đích sử dụng khuyến nghị trong tài liệu hướng dẫn này có thể dẫn đến nguy cơ chấn thương cá nhân.
- ◆ Giữ lại hướng dẫn này để tham khảo về sau.

Sử dụng thiết bị

- ◆ Không sử dụng thiết bị để hút các chất lỏng hoặc vật liệu có khả năng bắt lửa.
- ◆ Không sử dụng thiết bị gần nước.
- ◆ Không ngâm thiết bị trong nước.
- ◆ Tuyệt đối không kéo dây dẫn bộ sạc để rút bộ sạc khỏi ổ cắm. Bảo quản dây dẫn bộ sạc tránh xa nguồn nhiệt, dầu và các cạnh sắc.
- ◆ Không cho phép trẻ em từ 8 tuổi trở lên và những người bị suy giảm khả năng thể chất, trí tuệ hoặc cảm giác, hay người thiếu kinh nghiệm và kiến thức sử dụng dụng cụ này, trừ khi có sự giám sát hoặc hướng dẫn của người chịu trách nhiệm về vấn đề an toàn của họ. Không để trẻ nghịch thiết bị này. Không để trẻ vệ sinh và bảo trì mà không giám sát.

Kiểm tra và sửa chữa

- ◆ Trước khi sử dụng, hãy kiểm tra các bộ phận bị hỏng hoặc lỗi của thiết bị. Kiểm tra các bộ phận bị gãy, công tắc bị hỏng và các điều kiện khác có thể ảnh hưởng đến vận hành của thiết bị.
- ◆ Không sử dụng thiết bị nếu có bất kỳ bộ phận nào bị hỏng hoặc lỗi.
- ◆ Mang các bộ phận bị hỏng hoặc lỗi đến đại lý được ủy quyền để sửa chữa hoặc thay thế.
- ◆ Thường xuyên kiểm tra dây dẫn bộ sạc xem có hư hỏng không. Thay bộ sạc nếu dây dẫn bị hỏng hoặc lỗi.
- ◆ Tuyệt đối không tháo hoặc thay bất kỳ bộ phận nào ngoài những bộ phận được quy định

Hướng dẫn an toàn khác

Các nguy cơ còn lại.

Các nguy cơ còn lại khác có thể phát sinh khi sử dụng dụng cụ không nằm trong các cảnh báo an toàn đính kèm. Những nguy cơ này có thể phát sinh từ việc sử dụng sai mục đích, sử dụng trong thời gian dài,... Kể cả việc áp dụng các quy tắc an toàn liên quan và dùng các dụng cụ an toàn cũng không thể tránh được một số nguy cơ còn lại. Những nguy cơ này gồm:

- ◆ Chấn thương do chạm vào bất kỳ bộ phận đang chuyển động nào.
- ◆ Chấn thương do chạm vào bất kỳ bộ phận nóng nào.

- ◆ Chấn thương do thay đổi bất kỳ bộ phận hay phụ kiện nào.
- ◆ Chấn thương do sử dụng thiết bị trong thời gian dài. Khi sử dụng bất kỳ thiết bị nào trong khoảng thời gian dài, bạn phải đảm bảo nghỉ giải lao thường xuyên.

Pin và bộ sạc

Pin

- ◆ Không được cố mở pin dù bất cứ lý do nào.
- ◆ Không để pin tiếp xúc với nước.
- ◆ Không để pin tiếp xúc với nguồn nhiệt.
- ◆ Không bảo quản ở nơi có nhiệt độ có khả năng vượt quá 40°C.
- ◆ Chỉ sạc khi nhiệt độ môi trường trong khoảng từ 10°C đến 40°C.
- ◆ Chỉ sử dụng bộ sạc pin được cung cấp cùng với thiết bị/dụng cụ. Sử dụng sai bộ sạc có thể dẫn đến điện giật hoặc quá nhiệt pin.
- ◆ Khi vứt bỏ pin, phải tuân theo các hướng dẫn nêu trong phần "Bảo vệ môi trường".
- ◆ Không làm hỏng/làm méo vỏ pin bằng cách đâm hay va đập, vì điều này có thể dẫn đến nguy cơ cháy nổ và chấn thương.
- ◆ Không sạc pin khi đã bị hư hỏng.
- ◆ Trong điều kiện khắc nghiệt, pin có thể bị rò rỉ. Khi bạn thấy có dung dịch trên pin, hãy lau cẩn thận dung dịch bằng khăn. Tránh tiếp xúc với da.
- ◆ Trong trường hợp tiếp xúc với da hoặc mắt, hãy làm theo hướng dẫn sau.

Cảnh báo! Dung dịch điện phân có thể gây chấn thương cá nhân hoặc thiệt hại tài sản. Trong trường hợp tiếp xúc với da, hãy rửa ngay bằng nước. Nếu thấy đau, rát, đỏ, hãy tìm kiếm trợ giúp y tế. Trong trường hợp tiếp xúc với mắt, hãy rửa ngay bằng nước sạch và tìm kiếm trợ giúp y tế.

Bộ sạc

Bộ sạc của bạn đã được thiết kế với điện áp cụ thể. Luôn kiểm tra điện áp nguồn tương ứng với điện áp trên tấm ghi thông số định mức và thông tin trong bảng thông số kỹ thuật.

Cảnh báo! Tuyệt đối không thay bộ sạc bằng loại phích cắm điện thông thường.

- ◆ Chỉ sử dụng bộ sạc của Black & Decker để sạc pin đi kèm với thiết bị/dụng cụ của bạn. Các loại pin khác có thể gây cháy nổ, hư hỏng và chấn thương cá nhân.
- ◆ Tuyệt đối không cố sạc loại pin dùng một lần.
- ◆ Dây cắm điện bị hỏng phải được thay thế bởi nhà sản xuất hoặc trung tâm bảo hành Black & Decker được ủy quyền để tránh gây nguy hiểm.

- ◆ Không để bộ sạc tiếp xúc với nước.
- ◆ Không mở bộ sạc ra.
- ◆ Không chọc que vào bộ sạc.
- ◆ Thiết bị/dụng cụ/pin phải được đặt ở nơi thông thoáng khi sạc.

An toàn điện

Bộ sạc của bạn đã được thiết kế với điện áp cụ thể. Luôn kiểm tra điện áp nguồn xem có bằng với điện áp trên tấm định mức hay không. Tuyệt đối không cố thay thế bộ sạc bằng phích cắm thông thường.

Ký hiệu trên bộ sạc



Do ký hiệu này có nghĩa là dụng cụ được cách điện kép nên không cần dây nối đất. Luôn kiểm tra nguồn điện có tương ứng với điện áp trên biển thông số định mức hay không.

Tính năng

Dụng cụ này gồm một số hoặc tất cả những tính năng sau.

1. Công tắc bật/tắt
2. Núm nhà phểu
3. Phểu dụng cụ
4. Bộ sạc
5. Giá đỡ sạc

Hình A

6. Bộ lọc vải hút khô (Dành cho kiểu máy NV3620, NV4820 & NV6020)
7. Bộ lọc sơ bộ (Dành cho kiểu máy NV3620, NV4820 & NV6020)
8. Lớp đệm bọt khô/ướt (Dành cho kiểu máy NW3620 & NW4820)
9. Vòng chắn dầu khô/ướt (Dành cho kiểu máy NW3620 & NW4820)

Hình B

10. Ống lăn (Dành cho kiểu máy NW3620 & NW4820)
11. Chổi điện (Dành cho kiểu máy NV3620, NV4820 & NV6020)
12. Ống hút (Dành cho kiểu máy NV3620, NV4820 & NV6020)

Lắp đặt

Treo tường (hình C)

Gắn sản phẩm lên tường để bảo quản thuận tiện và sạc thiết bị. Khi cố định vào tường, hãy đảm bảo áp dụng phương pháp cố định phù hợp đối với loại tường và phù hợp với trọng lượng thiết bị.

- ◆ Đánh dấu vị trí lỗ vít (trong phạm vi ổ cắm điện để sạc máy hút bụi khi nó đang ở trên giá đỡ treo tường).
- ◆ Cố định giá đỡ vào tường bằng vít và phích cắm phù hợp với loại tường và trọng lượng thiết bị.
- ◆ Treo thiết bị lên tường bằng cách đặt khe hở trên đế của máy hút bụi trên móc tại giá đỡ sạc treo tường.

Lắp ráp

Phụ kiện (hình B)

Các kiểu máy này có thể được cung cấp cùng với một vài phụ kiện sau:

- ◆ Ống lăn (10) sử dụng trong điều kiện ẩm ướt trên các bề mặt cứng.
- ◆ Chổi điện (11) dùng cho bàn ghế và cầu thang.
- ◆ Ống hút (12) dùng cho các không gian hạn chế.

Lắp (Hình D)

- ◆ Gắn phụ kiện vào mặt trước của thiết bị. Đảm bảo ấn phụ kiện vào trong hết cỡ.

Sử dụng

- ◆ Trước khi sử dụng lần đầu, phải sạc pin ít nhất 24 giờ.
- ◆ Đặt thiết bị trên giá đỡ sạc khi không sử dụng.

Cảnh báo! Trước khi sạc, đảm bảo loại bỏ hết dung dịch bẩn và sấy khô cẩn thận để tránh làm hỏng thiết bị.

Sạc pin (Hình C)

- ◆ Đảm bảo tắt thiết bị. Không sạc pin khi công tắc bật/tắt ở vị trí bật.
- ◆ Đặt thiết bị trên giá đỡ sạc (5).
- ◆ Cắm bộ sạc vào nguồn điện. Bật nguồn điện.
- ◆ Sạc thiết bị ít nhất 19 giờ.

Trong khi sạc, bộ sạc có thể ấm lên. Điều này là bình thường và không có vấn đề gì. Thiết bị có thể kết nối liên tục với bộ sạc.

Cảnh báo! Không sạc pin khi nhiệt độ xung quanh dưới 10 °C hoặc trên 40 °C.

Bật và tắt (Hình E)

- ◆ Bật thiết bị, trượt công tắc bật/tắt (1) vào vị trí 1.
- ◆ Tắt thiết bị, trượt công tắc bật/tắt (1) trở lại vị trí 0.

Hút khô (Dành cho kiểu máy NV3620, NV4820 & NV6020)

- ◆ Hàng ngày đổ vật liệu khô.

Hút khô và ướt (Dành cho kiểu máy NW3620 & NW4820)

- ◆ Hàng ngày đổ vật liệu khô, sử dụng thiết bị mà không có ống lăn.

Cảnh báo! Sản phẩm của bạn được thiết kế chỉ để đổ vật liệu nhẹ.

- ◆ Cũng có thể sử dụng thiết bị để thu gom dung dịch tràn hàng ngày. Sử dụng ống lăn trên càng bề mặt cứng, không hút ẩm. Trên các bề mặt hút ẩm như tấm thảm, thiết bị sẽ hút dung dịch ẩm tốt hơn mà không cần phụ kiện.
- ◆ Để đạt được hiệu quả tốt nhất trên bề mặt cứng cần thu gom ướt, lắp ống lăn vào khe miệng phễu.
- ◆ Để có kết quả tốt nhất khi sử dụng phụ kiện này, hãy giữ thiết bị một góc 45° và đẩy từ từ về phía bạn.
- ◆ Không đổ vào phễu qua đầu cuối máng nạp. Nếu có bất kỳ dung dịch nào trong phễu, không xoay thiết bị xuống, sang bên, chỉ đầu vòi hướng lên, hoặc lắc máy hút bụi quá mạnh.
- ◆ Sau khi hút dung dịch, hãy vệ sinh thiết bị và bộ lọc ngay lập tức. Nấm mốc có thể hình thành nếu không vệ sinh hợp lý sau khi hút ẩm.
- ◆ Trước khi sạc, đảm bảo loại bỏ hết dung dịch bẩn và sấy khô cẩn thận để tránh làm hỏng thiết bị.

Tối ưu lực hút

Để duy trì lực hút tối ưu, cần vệ sinh bộ lọc thường xuyên trong quá trình sử dụng.

Làm sạch và vệ sinh sản phẩm.

Tháo phễu đựng bụi và bộ lọc (hình F & G)

Cảnh báo! Tái sử dụng bộ lọc và vệ sinh thường xuyên.

- ◆ Ấn nút nhả phễu (2) và kéo phễu đựng bụi (3) thẳng ra.
- ◆ Trong khi giữ phễu đựng bụi trên thùng hoặc chậu, kéo bộ lọc ra ngoài để lấy hết rác rưởi bên trong phễu.
- ◆ Thay phễu đựng bụi, đặt phễu vào tay cầm cho đến khi nó "khớp" chặt vào vị trí.

Cảnh báo! Tuyệt đối không sử dụng thiết bị nếu không có bộ lọc. Chỉ đạt được hiệu quả hút bụi tối ưu bằng bộ lọc sạch.

Lớp đệm bọt (hình H) (Dành cho kiểu máy NW3620 & NW4820)

- ◆ Đặt lớp đệm bọt (8) vào tâm vành chắn dầu khô/ướt (9).

Cảnh báo! Tuyệt đối không sử dụng thiết bị trong điều kiện ẩm ướt mà không lắp vành chắn và lớp đệm bọt.

Bộ lọc sơ bộ (hình I) (Dành cho kiểu máy NV3620, NV4820 & NV6020)

Có thể tách Bộ lọc và bộ lọc sơ bộ để vệ sinh tốt hơn.

- ◆ Vặn bộ lọc sơ bộ (7) theo hướng ngược chiều kim đồng hồ và nâng khỏi bộ lọc (6).

Vệ sinh phễu đựng bụi và bộ lọc

- ◆ Có thể rửa phễu đựng bụi và bộ lọc bằng nước xà phòng ấm.
- ◆ Đảm bảo bộ lọc và phễu đựng bụi khô trước khi lắp lại.

Thay thế bộ lọc

Cần thay bộ lọc cứ 6 đến 9 tháng một lần và bất cứ khi nào hao mòn hoặc hư hỏng.

Có sẵn bộ lọc để thay thế từ nhà bán lẻ Black & Decker của bạn:

Đối với các kiểu máy: NV3620, NV4820 & NV6020 sử dụng bộ phận lọc số FLVD10-XJ

Đối với các kiểu máy: NW3620 & NW4820 sử dụng bộ phận lọc số FLWD10-XJ

Bảo trì

Thiết bị/dụng cụ điện cầm tay có dây/không dây của Black & Decker được thiết kế để vận hành trong thời gian dài và ít phải bảo trì nhất. Dụng cụ vận hành liên tục theo ý muốn tùy thuộc vào việc bảo quản dụng cụ đúng cách và vệ sinh thường xuyên.

Cảnh báo! Trước khi bảo dưỡng các dụng cụ điện cầm tay có dây/không dây:

- ◆ Tắt và rút dây nguồn của thiết bị/dụng cụ.
- ◆ Hoặc tắt nguồn và tháo pin khỏi thiết bị/dụng cụ nếu thiết bị/dụng cụ có pin rời.
- ◆ Hoặc chạy hết sạch pin nếu là loại pin tích hợp sẵn và sau đó tắt máy.
- ◆ Rút phích cắm bộ sạc trước khi vệ sinh. Bộ sạc không cần bảo dưỡng nhưng phải thường xuyên lau chùi.
- ◆ Thường xuyên lau chùi các khe thông gió trong thiết bị/dụng cụ/bộ sạc bằng chổi mềm hoặc khăn khô.
- ◆ Thường xuyên lau chùi vỏ động cơ bằng khăn ẩm. Không dùng chất tẩy rửa có chứa dung môi hay chất mài mòn.

Bảo vệ Môi trường



Thu gom riêng. Không được vứt bỏ sản phẩm này với rác thải sinh hoạt thông thường.

Nếu sản phẩm Black & Decker của bạn cần phải thay thế, hoặc bạn không sử dụng nó trong tương lai nữa, đừng thải bỏ cùng với rác thải sinh hoạt. Sản phẩm phải được thu gom riêng.



Thu gom riêng sản phẩm đã qua sử dụng và đóng gói lại sẽ cho phép tái chế và tái sử dụng vật liệu. Tái sử dụng vật liệu tái chế giúp ngăn chặn ô nhiễm môi trường và giảm nhu cầu vật liệu thô.

Luật lệ địa phương có thể quy định việc thu gom riêng các sản phẩm điện gia dụng, tại các bãi rác thải đô thị hoặc bởi những người bán lẻ khi bạn mua sản phẩm mới.

Pin



Nếu bạn muốn tự mình thải bỏ sản phẩm, phải tháo pin như quy định bên dưới và thải bỏ theo luật lệ địa phương.

- ◆ Ưu tiên rút pin bằng cách vận hành thiết bị cho đến khi động cơ ngừng lại.
- ◆ Ấn nút nhà phễu (2) và tháo phễu đựng bụi (3).
- ◆ Tháo đồng thời nắm vít giữ thân của thiết bị.
- ◆ Nâng nắp vỏ khỏi cụm máy.
- ◆ Tháo các đầu nối dây khỏi vỏ pin.
- ◆ Tháo vỏ pin và cụm động cơ.
- ◆ Đặt vỏ pin và cụm động cơ trong hộp phù hợp để đảm bảo rằng các đầu cuối không bị ngắn mạch.
- ◆ Hãy mang vỏ pin và cụm động cơ đến bất kỳ đại lý dịch vụ hoặc trạm tái chế địa phương.

Không thể lắp lại pin đã tháo.

Thông tin Dịch vụ

Black & Decker có sẵn một mạng lưới các trung tâm trực thuộc và ủy quyền trên toàn Châu Á. Tất cả các trung tâm dịch vụ của Black & Decker đều có đội ngũ nhân viên lành nghề để cung cấp tới khách hàng dịch vụ hiệu quả và đáng tin cậy. Khi cần tư vấn kỹ thuật, sửa chữa hoặc phụ kiện thay thế chính hãng, liên hệ với cơ sở Black & Decker gần nhất.

Lưu ý

- Chính sách của Black & Decker không ngừng cải thiện với các sản phẩm và do đó, chúng tôi có quyền thay đổi thông số kỹ thuật sản phẩm mà không cần báo trước.
- Các trang thiết bị chuẩn có thể khác nhau tùy theo từng nước.
- Thông số kỹ thuật sản phẩm có thể thay đổi giữa các quốc gia.
- Danh mục sản phẩm hoàn chỉnh có thể không có mặt tại tất cả các quốc gia.
- Liên hệ với các đại lý của Black & Decker tại quốc gia bạn để được cung cấp danh mục sản phẩm.

DUSTBUSTER รุ่น NV3620(H1), NV4820(H1), NV6020(H1), NW3620(H1) และ NW4820(H1)

ข้อมูลทางเทคนิค

Dustbuste		NV4820(H1) NW4820(H1)	NV3620(H1) NW3620(H1)	NV6020(H1)
แรงดันไฟฟ้า	Vdc	4.8	3.6	6.0
แบตเตอรี่	ชนิด	NiCd	NiCd	NiCd
น้ำหนัก	กก.	0.77	0.72	0.8
เครื่องชาร์จ				
แรงดันไฟเข้า	Vac	220	120	100-240
แรงดันไฟออก		5.8 V _{dc}	5 V _{dc}	27 V _{dc}
กระแสไฟฟ้า	มิลลิแอมป์	130	200	85
ระยะเวลาชาร์จ โดยประมาณ	ชม.	16	16	28
น้ำหนัก	กก.	0.15	0.14	0.06

วัตถุประสงค์ในการใช้งาน

เครื่องดูดฝุ่นมือถือ Dustbuster® ของ Black & Decker ออกแบบมาสำหรับการทำความสะอาดสะอาดสิ่งที่แห้งและมีน้ำหนักเบา (NV3620, NV4820 และ NV6020)

เครื่องดูดฝุ่นมือถือ Dustbuster® ของ Black & Decker ออกแบบมาสำหรับการทำความสะอาดสิ่งที่แห้งและเปียกที่มีน้ำหนักเบา (NW3620 และ NW4820) เครื่องมือนี้มีวัตถุประสงค์เพื่อการใช้งานภายในบ้านเท่านั้น

คำแนะนำเพื่อความปลอดภัย



คำเตือน! อ่านคำเตือนและคำแนะนำด้านความปลอดภัยทั้งหมด การไม่ปฏิบัติตามคำเตือนและคำแนะนำเหล่านี้อาจทำให้ถูกไฟดูด เกิดเพลิงไหม้และ/หรือบาดเจ็บสาหัสได้



คำเตือน! เมื่อใช้เครื่องมือไฟฟ้าที่ใช้ไฟจากแบตเตอรี่ ต้องปฏิบัติตามข้อควรระวังเพื่อความปลอดภัยพื้นฐานรวมทั้งข้อควรระวังต่อไปนี้ เพื่อลดความเสี่ยงต่อการเกิดไฟไหม้ แบตเตอรี่รั่ว ได้รับความเจ็บ และวัสดุเสียหาย

- ♦ อ่านคู่มือเล่มนี้ทั้งหมดอย่างละเอียดก่อนใช้งานเครื่องมือนี้
- ♦ วัตถุประสงค์ในการใช้งานได้อธิบายไว้ในคู่มือนี้แล้ว การใช้อุปกรณ์เสริมหรืออุปกรณ์ยึดติด หรือการใช้งานใดๆ กับเครื่องมือนี้นอกเหนือจากที่ได้แนะนำในคู่มือการใช้งานนี้ อาจเสี่ยงต่อการได้รับบาดเจ็บ
- ♦ เก็บรักษาเครื่องมือนี้ไว้เพื่อการอ้างอิงในอนาคต

การใช้เครื่องมือของคุณ

- ♦ ห้ามใช้เครื่องมือนี้ดูดของเหลวหรือวัสดุใดๆ ที่อาจก่อให้เกิดไฟไหม้
- ♦ ห้ามใช้แบตเตอรี่ใกล้บริเวณที่มีน้ำ
- ♦ อย่าจุ่มเครื่องมือลงในน้ำ
- ♦ ห้ามดึงสายชาร์จเพื่อถอดเครื่องชาร์จออกจากตัวรับเก็บสายชาร์จให้พ้นจากความร้อน น้ำมัน และของมีคม
- ♦ เด็กที่มีอายุตั้งแต่ 8 ปีขึ้นไป และบุคคลที่มีความบกพร่องทางร่างกาย ทางกรับความรู้สึก หรือทางจิตประสาท หรือขาดประสบการณ์และความรู้สามารถใช้เครื่องมือนี้ได้ หากมีการควบคุมดูแลหรือให้คำแนะนำการใช้เครื่องมืออย่างปลอดภัยและเข้าใจถึงอันตรายที่อาจเกิดขึ้น ห้ามเด็กเล่นเครื่องมือ ไม่ควรให้เด็กทำความสะอาดและบำรุงรักษาเครื่องมือโดยไม่มีการควบคุมดูแล

การตรวจสอบและการซ่อมแซม

- ♦ ก่อนการใช้งาน ตรวจสอบเครื่องเพื่อหาชิ้นส่วนที่บกพร่องหรือชำรุดเสียหาย ตรวจสอบว่ามีกรแตกหักของชิ้นส่วน ความเสียหายของตัวสวิตช์ และสภาพอื่นใดที่อาจส่งผลกระทบต่อการใช้งานหรือไม่
- ♦ ห้ามใช้เครื่องมือที่มีชิ้นส่วนใดๆ ชำรุดเสียหายหรือบกพร่อง
- ♦ ให้ศูนย์ซ่อมที่ได้รับอนุญาตเป็นผู้ซ่อมแซมหรือเปลี่ยนชิ้นส่วนที่ชำรุดหรือบกพร่อง
- ♦ ตรวจสอบความเสียหายของสายชาร์จอยู่เสมอ
- ♦ เปลี่ยนเครื่องชาร์จหากสายเกิดชำรุดเสียหายหรือบกพร่อง
- ♦ อย่าพยายามถอดหรือเปลี่ยนชิ้นส่วนใดๆ นอกเหนือจากที่ระบุใน

คำแนะนำเพื่อความปลอดภัยเพิ่มเติม

ความเสี่ยงที่เหลืออยู่

ความเสี่ยงที่เหลืออยู่อาจเกิดขึ้นเมื่อใช้เครื่องมือนี้ และอาจไม่ได้มีอยู่ในคำเตือนเพื่อความปลอดภัยที่กล่าวไว้แล้ว ความเสี่ยงเหล่านี้อาจเกิดขึ้นจากการใช้อย่างไม่ถูกต้อง การใช้งานเป็นเวลานาน เป็นต้น แม้ว่าจะปฏิบัติตามข้อกำหนดด้านความปลอดภัยที่เกี่ยวข้อง และใช้อุปกรณ์รักษา แต่ความเสี่ยงที่เหลืออยู่บางอย่างก็ไม่สามารถหลีกเลี่ยงได้ ความเสี่ยงเหล่านั้นได้แก่:

- ♦ การบาดเจ็บจากการสัมผัสชิ้นส่วนที่กำลังเคลื่อนที่
- ♦ การบาดเจ็บจากการสัมผัสชิ้นส่วนที่ร้อน
- ♦ การบาดเจ็บที่เกิดขึ้นขณะเปลี่ยนชิ้นส่วนหรืออุปกรณ์เสริมใดๆ
- ♦ การบาดเจ็บที่เกิดจากการใช้เครื่องต่อเนื่องเป็นเวลานาน เมื่อใช้เครื่องมือเป็นระยะเวลาสั้น ต้องแน่ใจว่าคุณได้หยุดพักเป็นระยะ

แบตเตอรี่และเครื่องชาร์จ

แบตเตอรี่

- ♦ ห้ามพยายามแกะตัวแบตเตอรี่ในทุกกรณี
- ♦ อย่าให้แบตเตอรี่สัมผัสน้ำ
- ♦ อย่าให้แบตเตอรี่สัมผัสความร้อน
- ♦ ห้ามเก็บแบตเตอรี่ในสถานที่อุณหภูมิอาจสูงเกิน 40°C
- ♦ ชาร์จแบตเตอรี่ที่อุณหภูมิห้องระหว่าง 10°C ถึง 40°C เท่านั้น
- ♦ ชาร์จแบตเตอรี่ด้วยเครื่องชาร์จที่ให้มาพร้อมเครื่อง/อุปกรณ์เท่านั้น
- ♦ การใช้เครื่องชาร์จที่ไม่ถูกต้องอาจทำให้เกิดไฟดูดหรือทำให้แบตเตอรี่ร้อนจัดได้
- ♦ เมื่อจะทิ้งแบตเตอรี่ ให้ทำตามคำแนะนำในส่วน “การปกป้องสิ่งแวดล้อม”
- ♦ อย่าทำให้แบตเตอรี่ชาร์จหรือปิดเบี๋ยด้วยการเจาะหรือการทุบ มิฉะนั้นอาจทำให้เกิดความเสี่ยงจากการบาดเจ็บและเพลิงไหม้ได้
- ♦ ห้ามชาร์จแบตเตอรี่ที่ชำรุด
- ♦ ในสภาพที่หนักที่สุดอาจเกิดการรั่วของแบตเตอรี่ได้เมื่อคุณสังเกตเห็นของเหลวบนแบตเตอรี่ ให้ใช้ผ้าเช็ดของเหลวออกอย่างระมัดระวัง หลีกเลี่ยงการสัมผัสถูกผิวหนัง
- ♦ ในกรณีที่สัมผัสถูกผิวหนังหรือดวงตา ให้ปฏิบัติตามคำแนะนำด้านล่าง

คำเตือน! ของเหลวจากแบตเตอรี่อาจทำให้เกิดการบาดเจ็บหรือความเสียหายต่อทรัพย์สิน ในกรณีที่สัมผัสถูกผิวหนัง ให้รีบล้างออกด้วยน้ำ ถ้าผิวหนังเป็นรอยแดง แสบ หรือระคายเคือง ให้รีบพบแพทย์ ในกรณีที่สัมผัสถูกผิวหนัง ให้รีบล้างออกด้วยน้ำสะอาดและไปพบแพทย์

เครื่องชาร์จ

เครื่องชาร์จของคุณได้รับการออกแบบมาสำหรับแรงดันไฟฟ้าที่กำหนดไว้โดยเฉพาะ ต้องตรวจสอบแรงดันไฟเมนว่าตรงกับแรงดันไฟบนแผ่นแสดงพิกัดและข้อมูลในตารางข้อมูลทางด้านเทคนิคเสมอ

คำเตือน! ห้ามเปลี่ยนสายปลั๊กไฟของเครื่องชาร์จเป็นสายปลั๊กไฟธรรมดาโดยเด็ดขาด

- ♦ ใช้เครื่องชาร์จ Black & Decker เพื่อชาร์จแบตเตอรี่ภายในเครื่อง/อุปกรณ์ที่ให้มาพร้อมกันเท่านั้น
- ♦ การชาร์จแบตเตอรี่ชนิดอื่น ๆ อาจทำให้แบตเตอรี่ระเบิดและเกิดการบาดเจ็บและความเสียหายได้
- ♦ ห้ามชาร์จแบตเตอรี่ชนิดชาร์จซ้ำไม่ได้
- ♦ ถ้าสายไฟของตัวเครื่องชำรุดเสียหาย ต้องได้รับการเปลี่ยนโดยผู้ผลิตหรือศูนย์บริการของ Black & Decker ที่ได้รับอนุญาตเพื่อหลีกเลี่ยงอันตรายที่อาจเกิดขึ้นได้
- ♦ อย่าให้เครื่องชาร์จสัมผัสน้ำ
- ♦ ห้ามแกะเปิดเครื่องชาร์จ
- ♦ ห้ามใช้สิ่งใดเหย้าเข้าไปในตัวเครื่องชาร์จ
- ♦ ต้องวางเครื่องมือ/อุปกรณ์/แบตเตอรี่ไว้ในบริเวณที่มีการระบายอากาศเป็นอย่างดีในขณะที่ชาร์จ

ความปลอดภัยทางไฟฟ้า

เครื่องชาร์จของคุณได้รับการออกแบบมาสำหรับแรงดันไฟฟ้าที่กำหนดไว้โดยเฉพาะ ต้องตรวจสอบกำลังไฟเพื่อให้ตรงกับแรงดันไฟฟ้าบนแผ่นแสดงพิกัดเสมอ ห้ามเปลี่ยนสายปลั๊กไฟของเครื่องชาร์จเป็นสายปลั๊กไฟธรรมดาโดยเด็ดขาด

สัญลักษณ์ต่าง ๆ บนเครื่องชาร์จ



สัญลักษณ์นี้ หมายถึง เครื่องนี้มีฉนวนสองชั้น ดังนั้นจึงไม่จำเป็นต้องต่อสายดิน ต้องตรวจสอบกำลังไฟเพื่อให้ตรงกับแรงดันไฟฟ้าบนแผ่นแสดงพิกัดเสมอ

ส่วนประกอบสำคัญ

เครื่องมือนี้มีส่วนประกอบสำคัญบางอย่างหรือทั้งหมดดังต่อไปนี้

1. สวิตช์เปิด/ปิด
2. ปุ่มปลดล๊อคหัวเก็บฝุ่น
3. หัวเก็บฝุ่น
4. เครื่องชาร์จ
5. ขายึดสำหรับชาร์จ

รูป A

6. แผ่นกรองดูดฝุ่นแห้ง (เฉพาะรุ่น NV3620, NV4820 และ NV6020 เท่านั้น)
7. แผ่นกรองฟิวส์ฟิวเตอร์ (เฉพาะรุ่น NV3620, NV4820 และ NV6020 เท่านั้น)
8. โฟมอุดแห้ง/เปียก (เฉพาะรุ่น NW3620 และ NW4820 เท่านั้น)
9. ตัวป้องกันแบบแห้ง/เปียก (เฉพาะรุ่น NW3620 และ NW4820 เท่านั้น)

รูป B

10. หัวกวาดน้ำ (เฉพาะรุ่น NW3620 และ NW4820 เท่านั้น)
11. หัวแปรง (เฉพาะรุ่น NV3620, NV4820 และ NV6020 เท่านั้น)
12. หัวดูดตามซอก (เฉพาะรุ่น NV3620, NV4820 และ NV6020 เท่านั้น)

การติดตั้ง

การติดตั้งบนผนัง (รูป C)

ผลิตภัณฑ์นี้สามารถยึดติดกับผนังเพื่อการจัดเก็บที่สะดวกและเป็นจุดชาร์จเครื่องมือเมื่อยึดกับผนังแล้ว ตรวจสอบให้แน่ใจว่าวิธีการยึดเหมาะสมกับประเภทของผนังและเหมาะสมกับน้ำหนักของเครื่องหรือไม่

- ◆ กำหนดตำแหน่งของรูสกรู (ให้อยู่ใกล้เต้าเสียบเพื่อชาร์จเครื่องดูดฝุ่นขณะที่แขวนบนผนัง)
- ◆ ยึดขายึดเข้ากับผนังโดยใช้สกรูและปลั๊กที่เหมาะสมสำหรับประเภทของผนังและน้ำหนักของเครื่อง
- ◆ แขวนเครื่องบนผนัง โดยวางช่องเปิดที่ฐานเครื่องดูดฝุ่นบนตะขอกับขายึดสำหรับชาร์จบนผนัง

การประกอบ

อุปกรณ์เสริม (รูป B)

เครื่องดูดฝุ่นรุ่นเหล่านี้อาจมาพร้อมกับอุปกรณ์เสริมบางชิ้นต่อไปนี้

- ◆ หัวกวาดน้ำ (10) เพื่อใช้กับของเหลวบนพื้นที่แข็ง
- ◆ หัวแปรง (11) สำหรับเฟอร์นิเจอร์และบันได
- ◆ หัวดูดตามซอก (12) สำหรับพื้นที่จำกัด

การติดตั้ง (รูป D)

- ◆ ใส่อุปกรณ์เสริมที่เหมาะสมเข้ากับส่วนหน้าของเครื่อง ตรวจสอบให้แน่ใจว่าด้ามอุปกรณ์เสริมลงจนสุดแล้ว

การใช้งาน

- ◆ ก่อนใช้งานครั้งแรกต้องชาร์จแบตเตอรี่อย่างน้อย 24 ชั่วโมง
 - ◆ แขวนเครื่องบนขายึดสำหรับชาร์จทุกครั้งที่ไม่ใช้งาน
- คำเตือน!** ก่อนชาร์จ ตรวจสอบให้แน่ใจว่าแห้งสนิทและไม่มีของเหลวหลงเหลืออยู่แล้ว เพื่อหลีกเลี่ยงความเสี่ยงที่จะเกิดกับเครื่อง

การชาร์จแบตเตอรี่ (รูป C)

- ◆ ตรวจสอบให้แน่ใจว่าเครื่องปิดสวิตช์อยู่ แบตเตอรี่จะไม่ชาร์จขณะที่สวิตช์เปิด/ปิดอยู่ในตำแหน่ง ON
- ◆ วางเครื่องบนขายึดสำหรับชาร์จ (5)
- ◆ เสียบปลั๊กเครื่องชาร์จ เปิดสวิตช์แหล่งจ่ายไฟหลัก
- ◆ ชาร์จอุปกรณ์อย่างน้อย 19 ชั่วโมง

เครื่องชาร์จอาจอุ่นขึ้นระหว่างการชาร์จ นี่เป็นสภาพปกติของเครื่องมือและไม่ได้แสดงว่าเครื่องเกิดปัญหาแต่อย่างใด การต่อเครื่องมือกับเครื่องชาร์จนั้นสามารถปล่อยให้เชื่อมต่อได้ไม่จำกัดเวลา

คำเตือน! ห้ามชาร์จแบตเตอรี่ในอุณหภูมิห้องที่ต่ำกว่า 10 °C หรือสูงกว่า 40 °C

การเปิดและปิดสวิตช์ (รูป E)

- ◆ เมื่อต้องการเปิดเครื่อง ให้เลื่อนสวิตช์เปิด/ปิด (1) ไปที่ตำแหน่ง 1
- ◆ เมื่อต้องการปิดเครื่อง ให้เลื่อนสวิตช์เปิด/ปิด (1) ไปที่ตำแหน่ง 0

เครื่องดูดฝุ่นแห้ง (เฉพาะรุ่น NV3620, NV4820 และ NV6020 เท่านั้น)

- ◆ ใช้สำหรับดูดเศษวัสดุแห้งเป็นประจำทุกวัน

เครื่องดูดฝุ่นแห้งและเปียก (เฉพาะรุ่น NW3620 และ NW4820 เท่านั้น)

- ♦ สำหรับการดูดเศษวัสดุแห้งเป็นประจำทุกวัน ให้ใช้เครื่องมือนี้โดยไม่ต้องติดหัวกวาดน้ำเสริม

คำเตือน! ผลิตภัณฑ์นี้ออกแบบมาสำหรับดูดเศษวัสดุที่เบาเท่านั้น

- ♦ อุปกรณ์นี้ใช้ดูดของเหลวที่หกหล่นเป็นประจำทุกวันได้เช่นกัน ใช้หัวกวาดน้ำเสริมบนพื้นผิวที่แข็งและไม่ดูดซึมเข้า บนพื้นผิวที่ดูดซึมเข้า เช่น พรม เครื่องจะดูดของเหลวได้ดีกว่าโดยไม่ต้องใช้อุปกรณ์เสริม
- ♦ เพื่อประสิทธิภาพที่ดีที่สุดในการดูดของเหลวบนพื้นแข็ง ให้ใส่หัวกวาดน้ำเข้ากับช่องเปิดของหัวเก็บฝุ่น
- ♦ เพื่อผลลัพธ์ที่ดีที่สุดในการใช้อุปกรณ์เสริมชนิดนี้ ให้ถืออุปกรณ์ท่ามุม 45 องศาและดึงเข้าหาตัวคุณช้าๆ
- ♦ ห้ามต่อหัวเก็บฝุ่นเลยปลายช่องใส่ หากมีของเหลวอยู่ในหัวเก็บฝุ่น ห้ามคว่ำเครื่อง เอียงไปทางด้านข้าง เจยหัวเก็บฝุ่นขึ้น หรือเขย่าเครื่องดูดฝุ่นแรงเกินไป
- ♦ หลังจากดูดของเหลวเสร็จแล้ว ให้ทำความสะอาดเครื่องและแผ่นกรองทันที หากไม่ทำความสะอาดเครื่องอย่างถูกต้องหลังใช้ดูดของเหลวอาจเกิดเชื้อราขึ้นได้
- ♦ ก่อนชาร์จ ตรวจสอบให้แน่ใจว่าแห้งสนิทและไม่มีของเหลวหลงเหลืออยู่แล้ว เพื่อหลีกเลี่ยงความเสี่ยงที่จะเกิดกับเครื่อง

การใช้แรงดูดอย่างมีประสิทธิภาพสูงสุด

เพื่อรักษาประสิทธิภาพของแรงดูด ต้องทำความสะอาดแผ่นกรองเป็นประจำระหว่างใช้งาน

เคล็ดลับที่อยู่ข้างในและทำความสะอาดผลิตภัณฑ์

การถอดหัวเก็บฝุ่นและแผ่นกรอง (รูป F และ G)

คำเตือน! แผ่นกรองสามารถนำมาใช้ใหม่ได้และควรทำความสะอาดเป็นประจำ

- ♦ กดปุ่มปลดล็อกหัวเก็บฝุ่น (2) และดึงหัวเก็บฝุ่น (3) ออกมาตรงๆ
- ♦ ในขณะที่ถือหัวเก็บฝุ่นเหนือถังขยะหรืออ่างล้าง ให้ดึงแผ่นกรองออกเพื่อเคล็ดลับที่อยู่ภายในหัวเก็บฝุ่นออก
- ♦ การเปลี่ยนหัวเก็บฝุ่น ให้ใส่หัวเก็บฝุ่นกลับไปที่มือจับจนล็อกเข้าตำแหน่งพอดี

คำเตือน! ห้ามใช้เครื่องมือโดยไม่มีแผ่นกรองเด็ดขาด การเก็บฝุ่นได้อย่างมีประสิทธิภาพสูงสุดจะทำให้เกิดด้วยแผ่นกรองที่สะอาด

โฟมอุด (รูป H) (เฉพาะรุ่น NW3620 และ NW4820 เท่านั้น)

- ♦ ใส่โฟมอุด (8) ลงที่กึ่งกลางของตัวป้องกันแบบแห้ง/เปียก (9)

คำเตือน! ห้ามใช้เครื่องนี้กับการทำงานที่เปียกโดยไม่ใส่ตัวป้องกันน้ำและโฟมอุด

แผ่นกรองพรีฟิลเตอร์ (รูป I) (เฉพาะรุ่น NV3620, NV4820 และ NV6020 เท่านั้น)

แผ่นกรองและแผ่นกรองพรีฟิลเตอร์สามารถถอดแยกออกเพื่อทำความสะอาดได้ดียิ่งขึ้น

- ♦ บิดแผ่นกรองพรีฟิลเตอร์ (7) ทวนเข็มนาฬิกาและถอดออกจากแผ่นกรอง (6)

การทำความสะอาดหัวเก็บฝุ่นและแผ่นกรอง

- ♦ สามารถล้างหัวเก็บฝุ่นและแผ่นกรองในน้ำสบู่อุ่นได้
- ♦ ตรวจสอบให้แน่ใจว่าแผ่นกรองและหัวเก็บฝุ่นแห้งดีแล้วก่อนใส่กลับเข้าไปใหม่

การเปลี่ยนแผ่นกรอง

จะต้องเปลี่ยนแผ่นกรองทุก 6 ถึง 9 เดือน และทุกครั้งที่แผ่น

ถูกใช้จนเก่าหรือชำรุดเสียหาย

แผ่นกรองสำหรับเปลี่ยนสามารถหาซื้อได้จากตัวแทน

จำหน่าย Black & Decker

สำหรับรุ่น: NW3620, NW4820 และ NV6020 ให้ใช้แผ่นกรองที่มีหมายเลขชิ้นส่วน FLVD10-XJ

สำหรับรุ่น: NV3620 และ NV4820 ให้ใช้แผ่นกรองที่มีหมายเลขชิ้นส่วน FLWD10-XJ

การบำรุงรักษา

เครื่องมือแบบมีสายไร้สายของ Black & Decker ได้รับการออกแบบมาเพื่อให้สามารถใช้งานได้ยาวนานต่อเนื่องโดยมีการบำรุงรักษาที่น้อยที่สุด

การทำงานที่สร้างความพึงพอใจอย่างต่อเนื่องจะขึ้นอยู่กับ การดูแลรักษาที่เหมาะสมและการทำความสะอาดอย่างสม่ำเสมอ

คำเตือน! ก่อนทำการบำรุงรักษาเครื่องมือไฟฟ้าแบบมีสายไร้สายจะต้อง:

- ♦ ปิดสวิตช์และถอดปลั๊กเครื่องมือ
- ♦ หรือปิดสวิตช์และถอดแบตเตอรี่ออกจากเครื่องมือ ถ้าเครื่องมือมีชุดแบตเตอรี่แยกต่างหาก
- ♦ หรือใช้แบตเตอรี่จนหมดถ้าแบตเตอรี่อยู่ร่วมกับเครื่อง จากนั้นให้ปิดสวิตช์

- ♦ ถอดปลั๊กเครื่องชาร์จออกก่อนจะทำความสะอาด เครื่องชาร์จไม่ต้องการการดูแลพิเศษอื่นใดนอกเหนือจากการทำความสะอาดเป็นประจำ
- ♦ ทำความสะอาดช่องระบายอากาศในเครื่องมือและเครื่องชาร์จของคุณเป็นประจำโดยใช้แปรงขนอ่อนหรือผ้าแห้ง
- ♦ ทำความสะอาดตัวมอเตอร์เป็นประจำโดยใช้ผ้าชุบน้ำหมาดๆ ห้ามใช้น้ำยาทำความสะอาดที่มีฤทธิ์กัดกร่อนหรือมีส่วนผสมของตัวทำละลาย

- ♦ ดึงฝาครอบออกจากเครื่อง
- ♦ ถอดจุดเชื่อมต่อสายทั้งหมดออกจากก้อนแบตเตอรี่
- ♦ ถอดก้อนแบตเตอรี่และส่วนประกอบมอเตอร์ออก
- ♦ ใส่ก้อนแบตเตอรี่และส่วนประกอบมอเตอร์ลงในบรรจุภัณฑ์ที่เหมาะสม เพื่อให้แน่ใจว่าขั้วต่างๆ จะไม่เกิดการลัดวงจร
- ♦ นำก้อนแบตเตอรี่และส่วนประกอบมอเตอร์ไปให้ตัวแทนศูนย์บริการของคุณหรือศูนย์รีไซเคิลในท้องถิ่น

เมื่อถอดแบตเตอรี่ออกแล้วจะไม่สามารถใส่แบตเตอรี่กลับเข้าไปใหม่ได้

การปกป้องสิ่งแวดล้อม



การเก็บรวบรวมแบบคัดแยก ห้ามทิ้งผลิตภัณฑ์นี้ร่วมกับขยะในครัวเรือนปกติ

หากเมื่อใดก็ตามที่จำเป็นต้องเปลี่ยนผลิตภัณฑ์ BLACK & DECKER หรือถ้าเครื่องมือนี้ไม่เป็นประโยชน์อีกต่อไปอย่าทิ้งผลิตภัณฑ์นี้ร่วมกับขยะในครัวเรือน จัดการกับผลิตภัณฑ์นี้เพื่อให้พร้อมสำหรับการเก็บรวบรวมแบบคัดแยก



การเก็บรวบรวมแบบคัดแยกสำหรับบรรจุภัณฑ์และผลิตภัณฑ์ที่ใช้แล้วทำให้สามารถรีไซเคิลวัสดุและนำมาใช้งานอีกครั้ง การนำวัสดุรีไซเคิลมาใช้อีกครั้งจะช่วยป้องกันมลพิษต่อสิ่งแวดล้อมและลดความต้องการวัตถุดิบ

ตามกฎหมายระเบียบท้องถิ่นอาจมีการจัดเตรียมสถานที่สำหรับการเก็บรวบรวมแบบคัดแยกอุปกรณ์ไฟฟ้าที่ใช้ภายในครัวเรือนไว้ ณ แหล่งรับขยะของเทศบาล หรืออาจมีการรับอุปกรณ์ใช้แล้วจากผู้ค้าปลีกในกรณีที่คุณซื้อผลิตภัณฑ์ชิ้นใหม่

แบตเตอรี่



หากคุณต้องการทิ้งผลิตภัณฑ์ด้วยตนเอง ต้องถอดแบตเตอรี่ออกตามที่อธิบายไว้ด้านล่างและทิ้งตามกฎหมายระเบียบท้องถิ่น

- ♦ ควรใช้แบตเตอรี่ให้หมดโดยใช้งานเครื่องจนกว่ามอเตอร์จะหยุดทำงาน
- ♦ กดปุ่มปลดลอคหัวเก็บฝุ่น (2) และถอดหัวเก็บฝุ่น (3) ออก
- ♦ ถอดสกรูทั้ง 5 ตัวที่ยึดตัวอุปกรณ์เข้าด้วยกัน

ข้อมูลการบริการ

Black & Decker มีเครือข่ายศูนย์บริการเต็มรูปแบบ ทั้งที่เป็นเจ้าของเองและศูนย์บริการที่ได้รับอนุญาต กระจายอยู่ทั่วเอเชีย ที่ศูนย์บริการ Black & Decker ทุกแห่ง มีพนักงานที่ผ่านการฝึกอบรมเพื่อให้บริการเกี่ยวกับเครื่องใช้ไฟฟ้าอย่างมีประสิทธิภาพและเชื่อถือได้ ไม่ว่าท่านจะต้องการคำแนะนำด้านเทคนิค การซ่อมแซม หรืออะไหล่แท้จากโรงงาน โปรดติดต่อศูนย์ Black & Decker ใกล้บ้าน

หมายเหตุ

- เนื่องจาก Black & Decker มีนโยบายพัฒนาปรับปรุงผลิตภัณฑ์อย่างต่อเนื่อง ดังนั้น เราจึงสงวนสิทธิ์ในการเปลี่ยนแปลงข้อมูลจำเพาะของผลิตภัณฑ์โดยไม่แจ้งให้ทราบล่วงหน้า
- อุปกรณ์มาตรฐานและอุปกรณ์เสริมอาจแตกต่างกันในแต่ละประเทศ
- ข้อมูลจำเพาะของผลิตภัณฑ์อาจแตกต่างกันในแต่ละประเทศ
- ตัวเลือกผลิตภัณฑ์อาจมีจำหน่ายไม่ครบทุกรายการในบางประเทศ
- โปรดสอบถามรุ่นผลิตภัณฑ์ที่มีจำหน่ายจากตัวแทนจำหน่ายของ Black & Decker ในประเทศของคุณ

